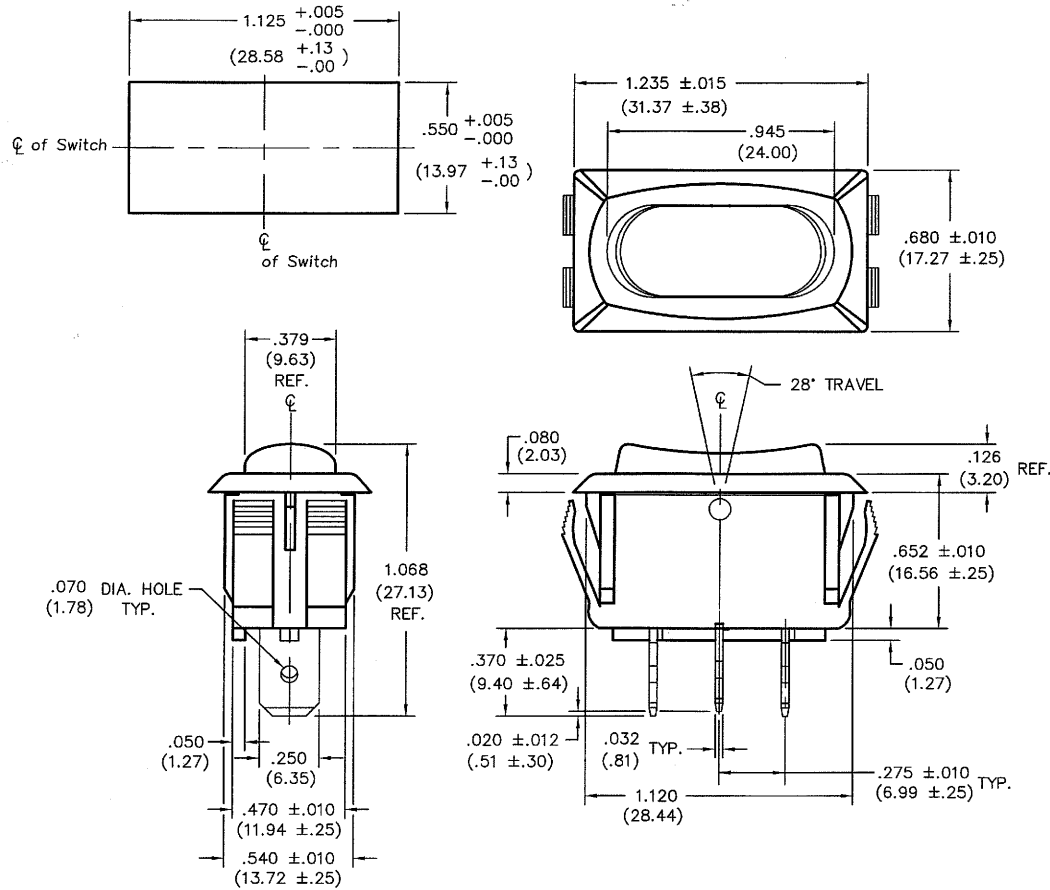


DIMENSIONS IN INCHES (MILLIMETERS)
DO NOT SCALE DRAWING

Dwg. No.

GRS-2013A-2400 & -2401

PANEL PIERCING



P/N	MATERIAL COLOR
GRS-2013A	
-2400	Button- Black BK-000 Housing- Black BK-000
-2401	Button- White WT-913 Housing- White WT-913

FORM-B4	REVISIONS	0	RELEASED: DGW 3-30-2001 May 03, 2001
		1	REDRAWN FOR CLARITY: ADDED P/N CHART & -2401 TO DWG. NO. DGW 8-11-2008 <i>GG</i> AUG 15, 2008

CW INDUSTRIES
Southampton, Pa. 18966

TOLERANCES UNLESS OTHERWISE SPECIFIED

2 Place Decimal ± 0.010	METRIC
3 Place Decimal ± 0.005	1 Place Dec. ± 0.25 mm
Angles $\pm 1^\circ$	2 Place Dec. ± 0.13 mm

Made for: CW IND.
 Drawn by: DGW 3-30-2001
 Checked by: *G. Guld 8-15-08*
 Approval: *G. Guld 8-15-08*

Title: **ROCKER SWITCH
ASSY.- CENTER OFF
STYLE LINE
1.125" x .550" PANEL**

Division: **SWITCH**

Dwg. No. **GRS-2013A-2400 & -2401**

MASTER