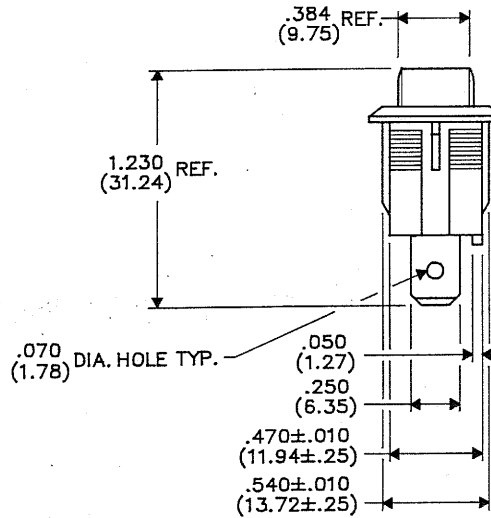
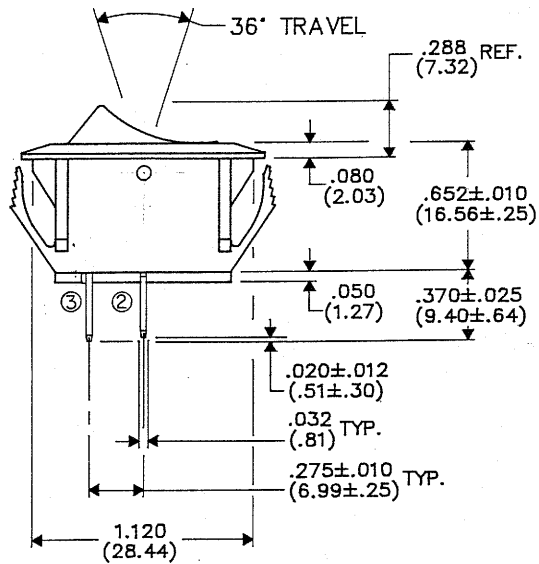
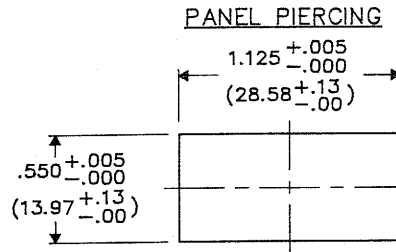
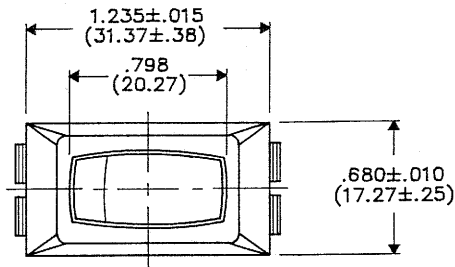


DIMENSIONS IN INCHES (MILLIMETERS)
DO NOT SCALE DRAWING...

Drawing No. **GRS-2011C-2000**



B-FORM-0
REVISIONS
0
RELEASED
MAM 4-11-90
SEP 2 1 1990

CW INDUSTRIES
Southampton, Pa. 18966

Title **ASSEMBLY DRAWING**
S.P.S.T. ROCKER SWITCH
MOMENTARY NORMALLY CLOSED
NON-POLARIZED
1.125" x .550" PANEL

TOLERANCES UNLESS OTHERWISE SPECIFIED
2 Place decimal ±.010 METRIC
3 Place decimal ±.005 1 Place dec. ±.25 MM
Angles 1° 2 Place dec. ±.13 MM

Made for: CW Ind.
Drawn by: MAM 4-18-90
Checked by: *[Signature]*
Approval: *[Signature]*

Division **SWITCH**
Drawing No. **GRS-2011C-2000**

MASTER