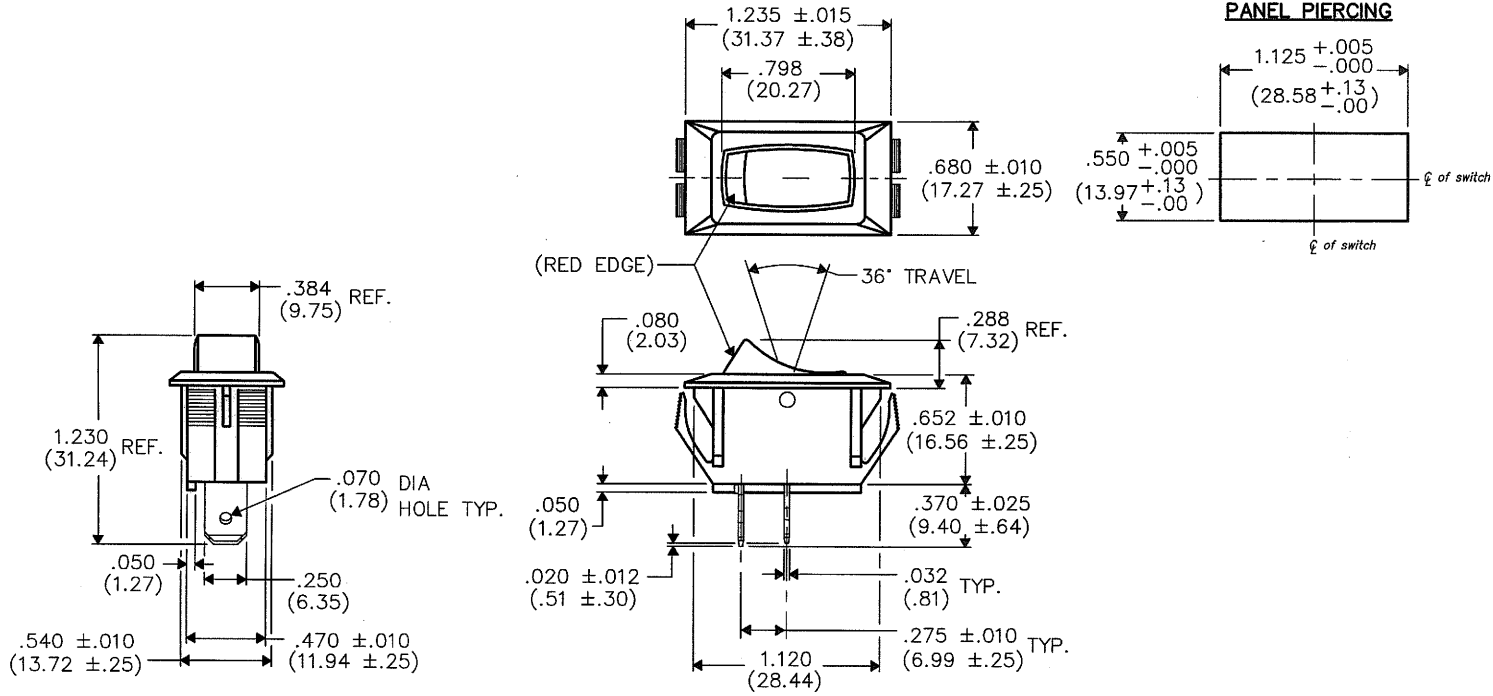


DIMENSIONS IN INCHES (MILLIMETERS)  
DO NOT SCALE DRAWING .....

Dwg. No.

NAA-111-BI31-00

E  
D  
C  
B  
A



1 2 3 4 5 6 7 8 9 10

FORM-B4 REVISIONS RELEASED: 8-13-2008 DCW AUG 15 2008	<b>CW INDUSTRIES</b> Southampton, Pa. 18966 TOLERANCES UNLESS OTHERWISE SPECIFIED 2 Place Decimal ±.010 METRIC 3 Place Decimal ±.005 1 Place Dec. ±.25mm Angles ..... ±1' 2 Place Dec. ±.13mm		Title: <b>INDICON                  UNIBODY SWITCH                  ASSEMBLY                  1.125" x .550" PANEL</b>
	Made for: CW IND.		Division: <b>SWTCH</b>
	Drawn by: DGW 8-13-2008		Dwg. No. NAA-111-BI31-00
	Checked by: G. Guld 8-14-08 Approval: G. Guld 8-14-08		

MASTER