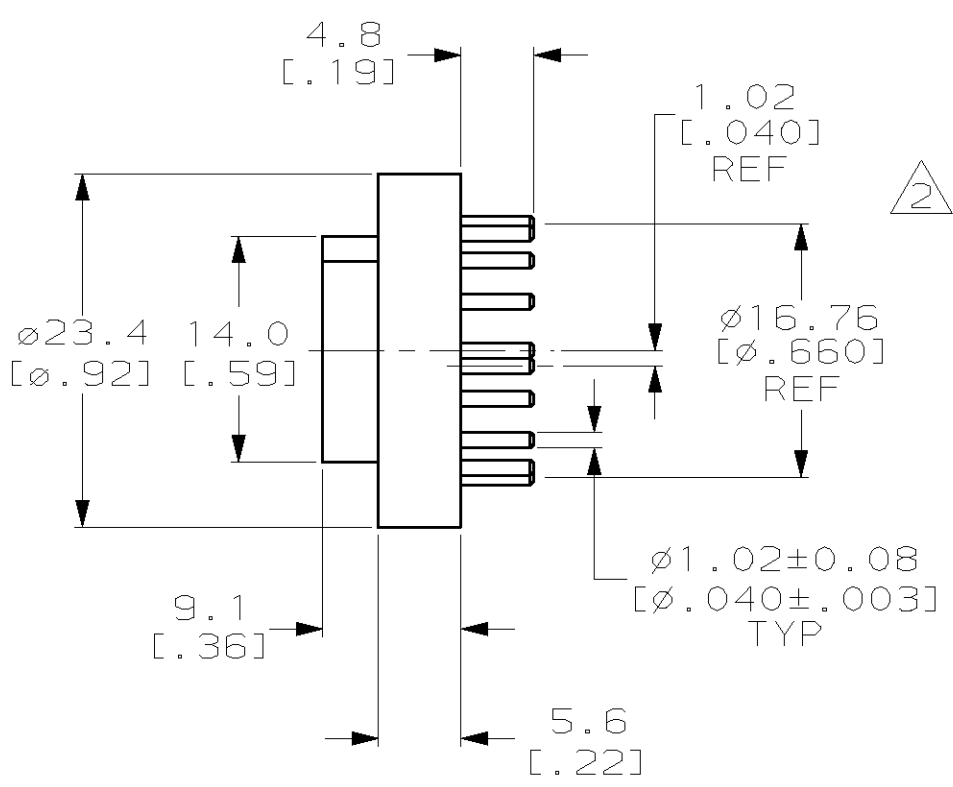
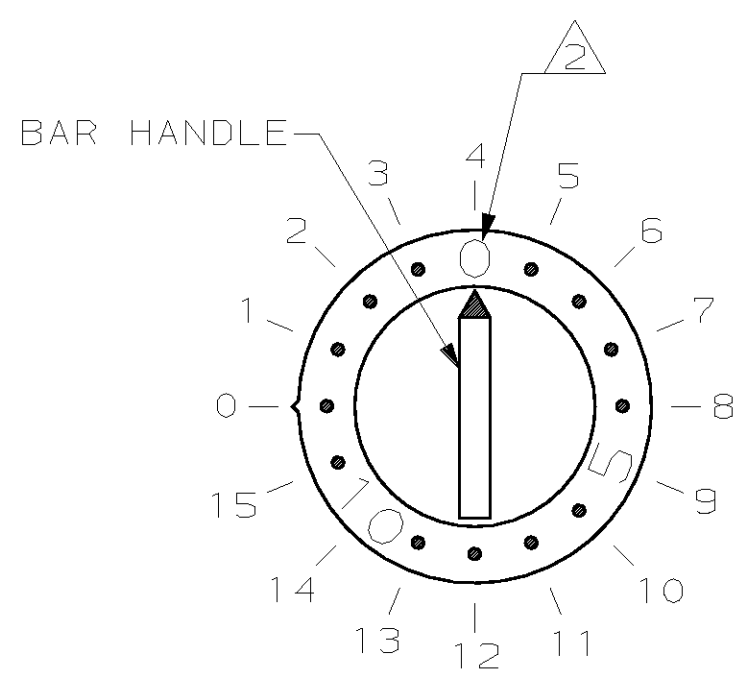
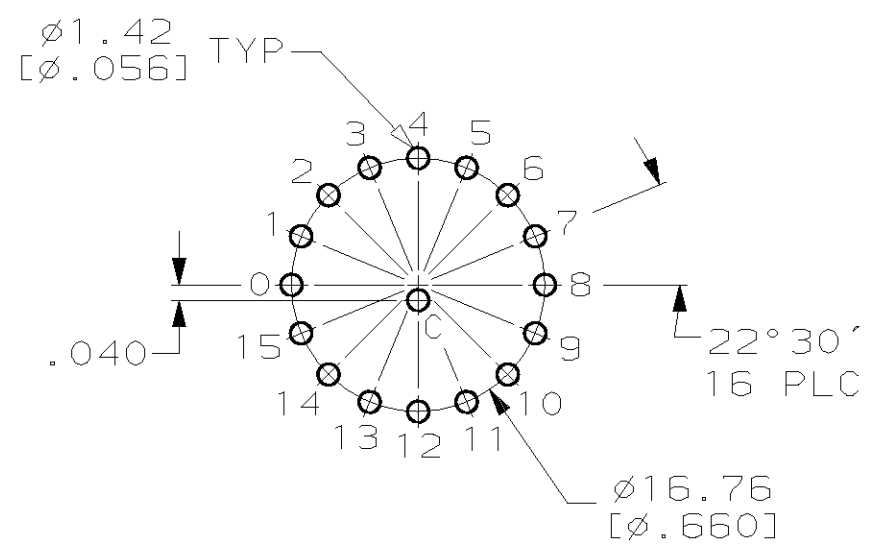


THIS DRAWING IS UNPUBLISHED. RELEASED FOR PUBLICATION ,19 .
 © COPYRIGHT 19 BY AMP INCORPORATED. ALL RIGHTS RESERVED.

LOC		DIST		REVISIONS					
FT		69		P	LTR	DESCRIPTION	DATE	DWN	APVD
				K		REV PER 063C-0765-04	30NOV04	RB	MZ



1 FINISH: SOLDER TAILS TIN PLATE 0.0038 [.000150] MIN THK OVER 0.0013 [.000050] MIN THK NICKEL. CONTACT AREA 0.00076 [.000030] MIN. HARD GOLD OVER 0.00127-0.00254 [.000050-.000100] LOW STRESS NICKEL.
 2 CHARACTERS 2.5 [.10] HIGH, COLOR BLACK.



	SWITCH POSITION															
	0	1	2	3	4	5	6	7	8	9	10	11	12	13	14	15
0	●															
1		●														
2			●													
3				●												
4					●											
5						●										
6							●									
7								●								
8									●							
9										●						
10											●					
11												●				
12													●			
13														●		
14															●	
15																●

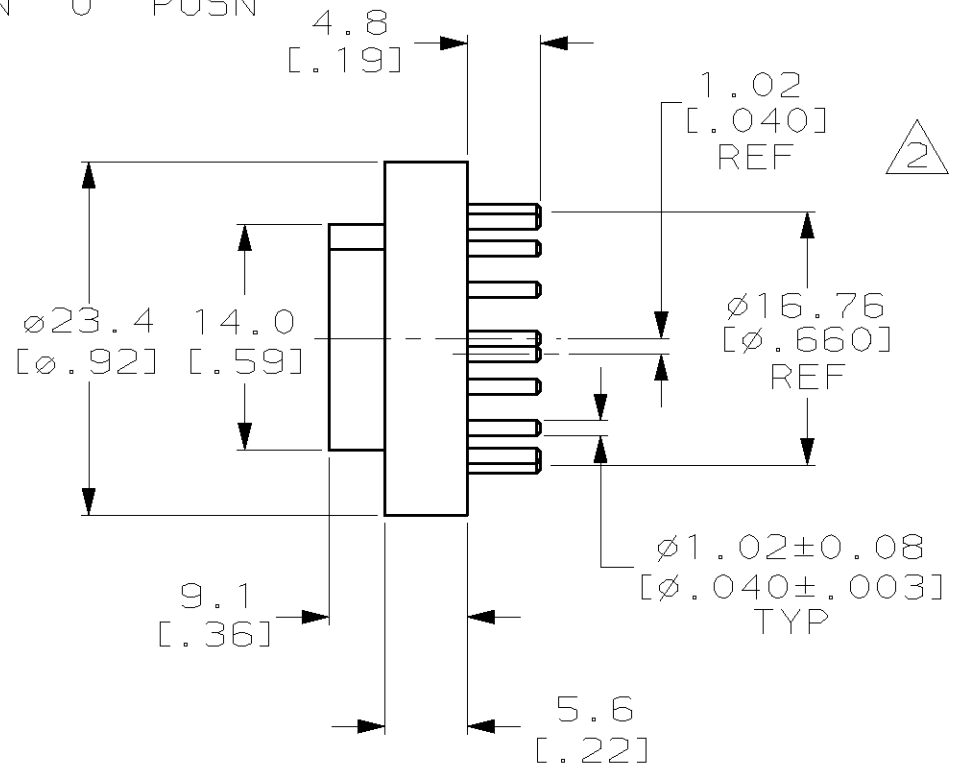
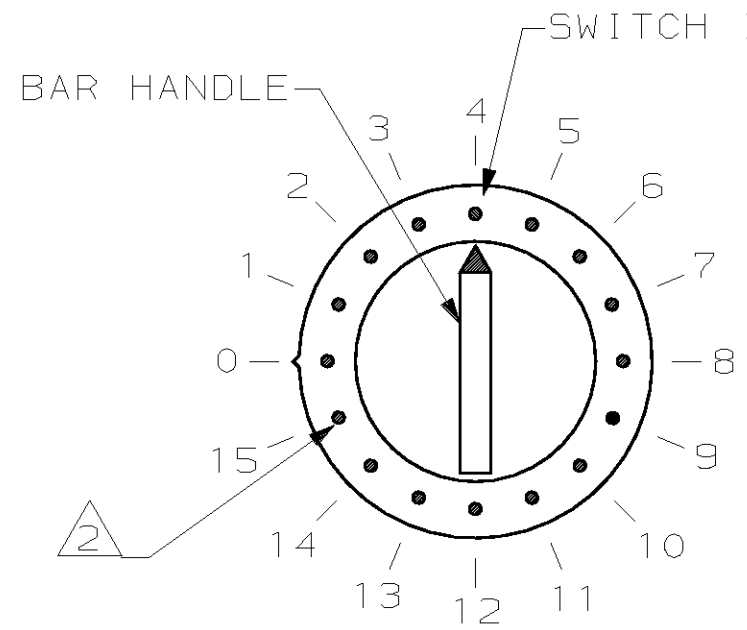
P.C. BOARD HOLE LAYOUT SWITCH SIDE

1-435304-1
PART NO

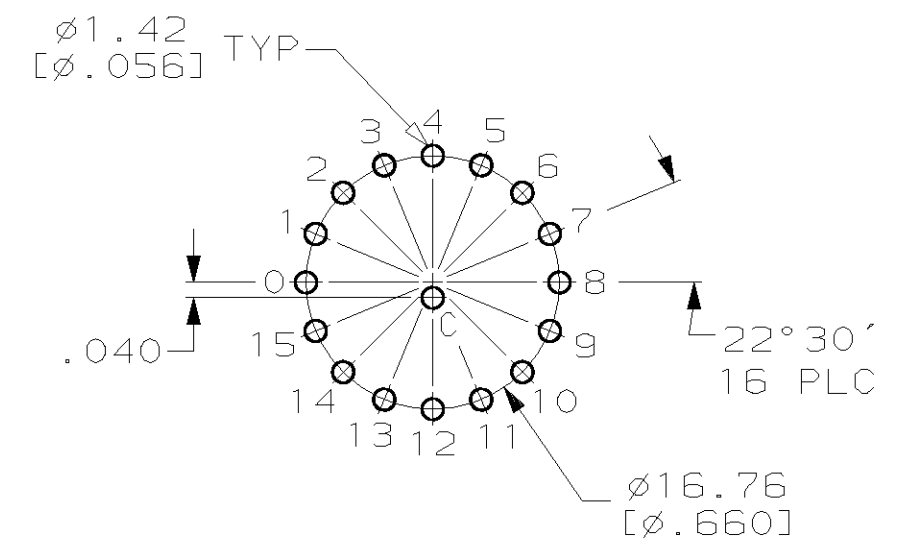
THIS DRAWING IS A CONTROLLED DOCUMENT.		DWN R. TALLEY 8-7-92	AMP Incorporated Harrisburg, PA 17105-3608	
DIMENSIONS: mm [INCHES]		CHK R. MILLER 8-7-92		
TOLERANCES UNLESS OTHERWISE SPECIFIED:		APVD D. HUFFMAN 8-9-91	NAME ROTARY SWITCH ASSY, 16 POSN, 6000 SERIES SINGLE POLE	
0 PLC ±- 1 PLC ±- 2 PLC ±0.5 [.02] 3 PLC ±- 4 PLC ±- ANGLES ±0°30'		PRODUCT SPEC 108-7514	DRAWING NO 435304	
MATERIAL CASE: THERMOPLASTIC, COLOR NATURAL CONTACT: BRASS		APPLICATION SPEC 114-7005	SIZE A3	RESTRICTED TO -
FINISH 1		WEIGHT -	CAGE CODE 00779	SCALE 2:1
		CUSTOMER DRAWING		SHEET 1 OF 3
				REV K

THIS DRAWING IS UNPUBLISHED. RELEASED FOR PUBLICATION ,19 .
 © COPYRIGHT 19 BY AMP INCORPORATED. ALL RIGHTS RESERVED.

LOC	DIST	REVISIONS					
FT	69	P	LTR	DESCRIPTION	DATE	DWN	APVD
		-		SEE SHEET 1	-	-	-



- 1 FINISH: SOLDER TAILS TIN PLATE 0.0038 [.000150] MIN THK OVER 0.0013 [.000050] MIN THK NICKEL. CONTACT AREA 0.00076 [.000030] MIN. HARD GOLD OVER 0.00127-0.00254 [.000050-.000100] LOW STRESS NICKEL.
- 2 POSITION MARKINGS ø7.62 [ø.030], COLOR BLACK.



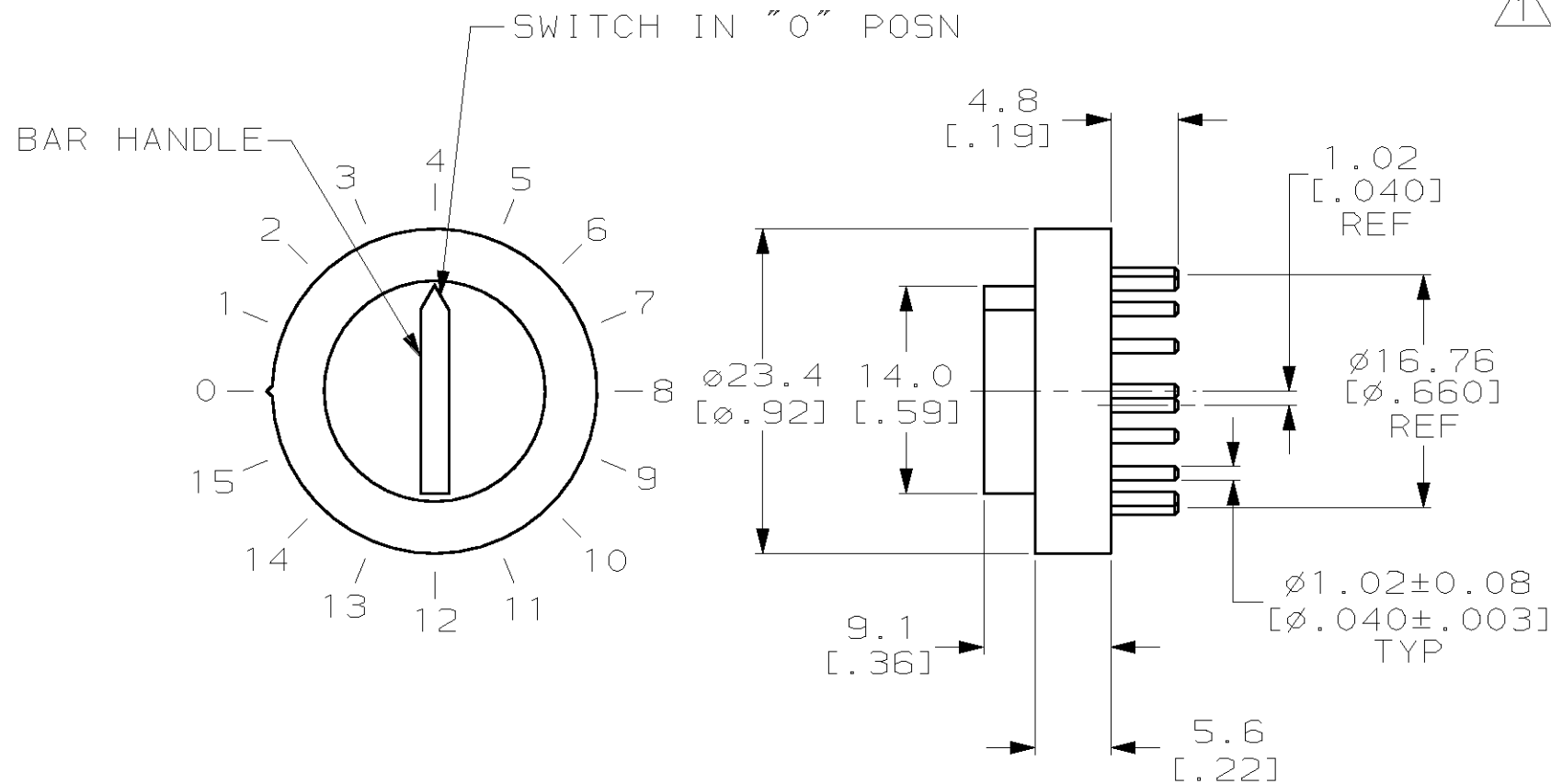
COMMON TO	SWITCH POSITION															
	0	1	2	3	4	5	6	7	8	9	10	11	12	13	14	15
0	●															
1		●														
2			●													
3				●												
4					●											
5						●										
6							●									
7								●								
8									●							
9										●						
10											●					
11												●				
12													●			
13														●		
14															●	
15																●

P.C. BOARD HOLE LAYOUT SWITCH SIDE

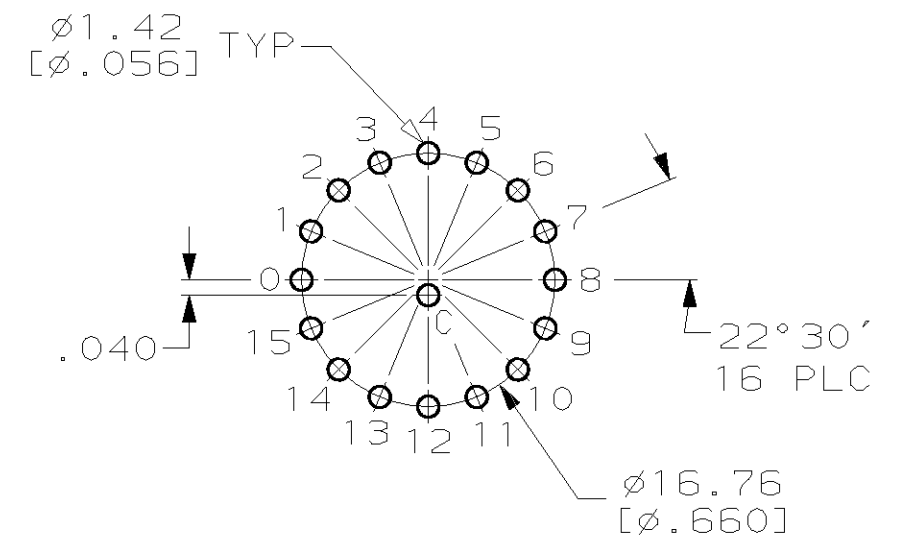
OBSOLETE 1-435304-3

THIS DRAWING IS A CONTROLLED DOCUMENT.		DWN R. TALLEY 8-7-92	AMP Incorporated Harrisburg, PA 17105-3608	
DIMENSIONS: mm [INCHES]		CHK R. MILLER 8-7-92		
TOLERANCES UNLESS OTHERWISE SPECIFIED:		APVD D. HUFFMAN 8-9-91	NAME ROTARY SWITCH ASSY, 16 POSN, 6000 SERIES SINGLE POLE	
0 PLC ±- 1 PLC ±- 2 PLC ±0.5 [.02] 3 PLC ±- 4 PLC ±- ANGLES ±0°30'		PRODUCT SPEC 108-7514	DRAWING NO 435304	
MATERIAL CASE: THERMOPLASTIC, COLOR NATURAL CONTACT: BRASS		APPLICATION SPEC 114-7005	SIZE A3	RESTRICTED TO -
FINISH 1		WEIGHT -	CAGE CODE 00779	SCALE 2:1
		CUSTOMER DRAWING	SHEET 2 OF 3	REV K

LOC FT	DIST 69	REVISIONS			
P	LTR	DESCRIPTION	DATE	DWN	APVD
-	-	SEE SHEET 1	-	-	-



1 FINISH: SOLDER TAILS TIN PLATE 0.0038 [.000150] MIN THK OVER 0.0013 [.000050] MIN THK NICKEL. CONTACT AREA 0.00076 [.000030] MIN. HARD GOLD OVER 0.00127-0.00254 [.000050-.000100] LOW STRESS NICKEL.



	SWITCH POSITION															
	0	1	2	3	4	5	6	7	8	9	10	11	12	13	14	15
0	●															
1		●														
2			●													
3				●												
4					●											
5						●										
6							●									
7								●								
8									●							
9										●						
10											●					
11												●				
12													●			
13														●		
14															●	
15																●

P.C. BOARD HOLE LAYOUT SWITCH SIDE

OBSOLETE 1-435304-4

PART NO

THIS DRAWING IS A CONTROLLED DOCUMENT.		DWN C. WHITT 9-10-92	AMP Incorporated Harrisburg, PA 17105-3608	
DIMENSIONS: mm [INCHES]		CHK R. TALLEY 9-11-92		
TOLERANCES UNLESS OTHERWISE SPECIFIED:		APVD D. HUFFMAN 9-11-92	NAME ROTARY SWITCH ASSY, 16 POSN, 6000 SERIES SINGLE POLE	
0 PLC ±- 1 PLC ±- 2 PLC ±0.5 [.02] 3 PLC ±- 4 PLC ±- ANGLES ±0°30'		PRODUCT SPEC 108-7514	DRAWING NO 435304	
MATERIAL CASE: THERMOPLASTIC, COLOR NATURAL CONTACT: BRASS		APPLICATION SPEC 114-7005	SIZE A3	RESTRICTED TO -
FINISH 1		WEIGHT -	CAGE CODE 00779	SCALE 2:1
CUSTOMER DRAWING		SHEET 3 OF 3		REV K