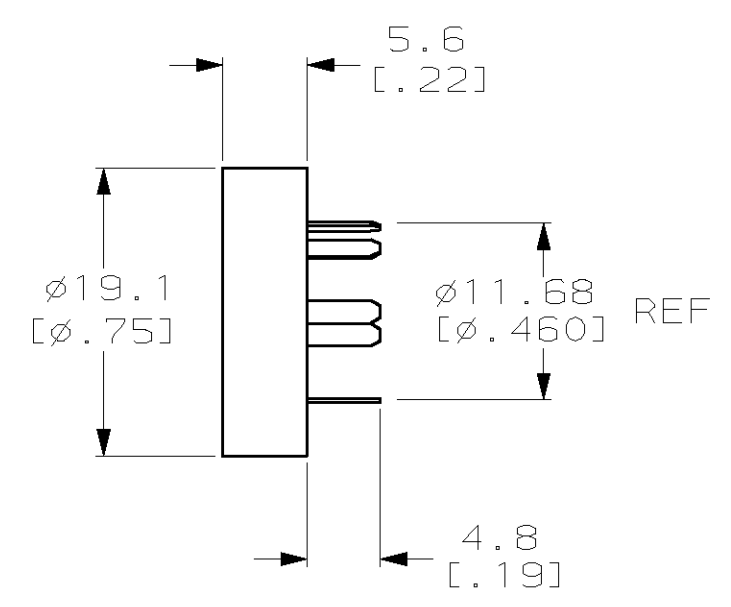
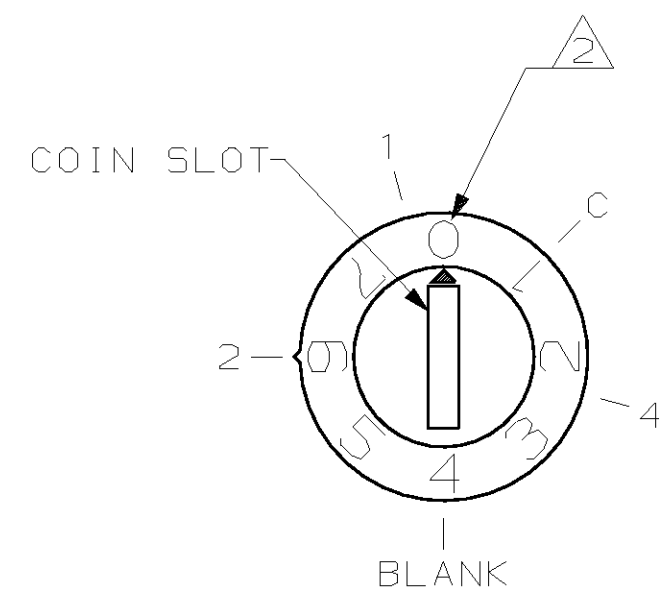
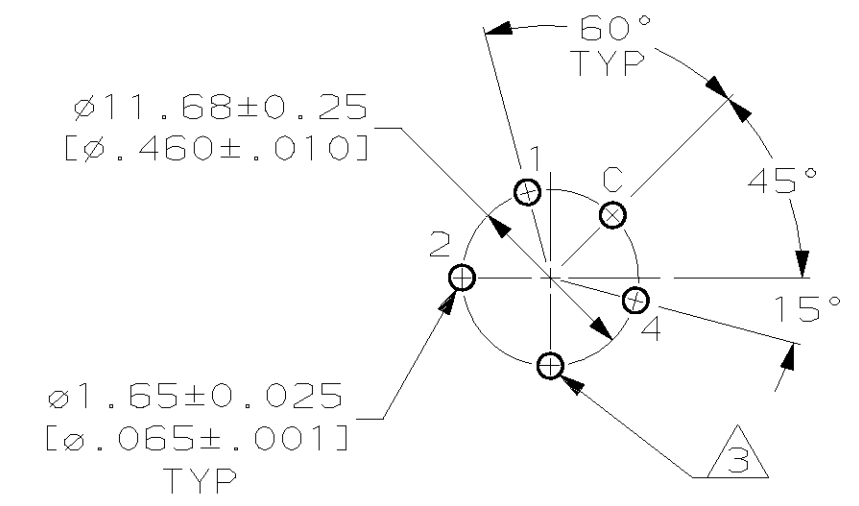


THIS DRAWING IS UNPUBLISHED. RELEASED FOR PUBLICATION, 19 .
 © COPYRIGHT 19 BY AMP INCORPORATED. ALL RIGHTS RESERVED.

LOC	DIST	REVISIONS					
FT	69	P	LTR	DESCRIPTION	DATE	DWN	APVD
		H		REV PER 0630-0156-03	130CT04	JR	MZ



- ① FINISH: SOLDER TAILS TIN PLATE 0.0051 [.000200] MIN. THICK. CONTACT AREA 0.00076 [.000030] MIN. HARD GOLD OVER 0.00127-0.00254 [.000050-.000100] LOW STRESS NICKEL.
- ② CHARACTERS 2.5 [.10] HIGH, COLOR BLACK.
- ③ BLANK HOLE FOR MECHANICAL STABILITY OF SWITCH.



P.C. BOARD HOLE LAYOUT
SWITCH SIDE

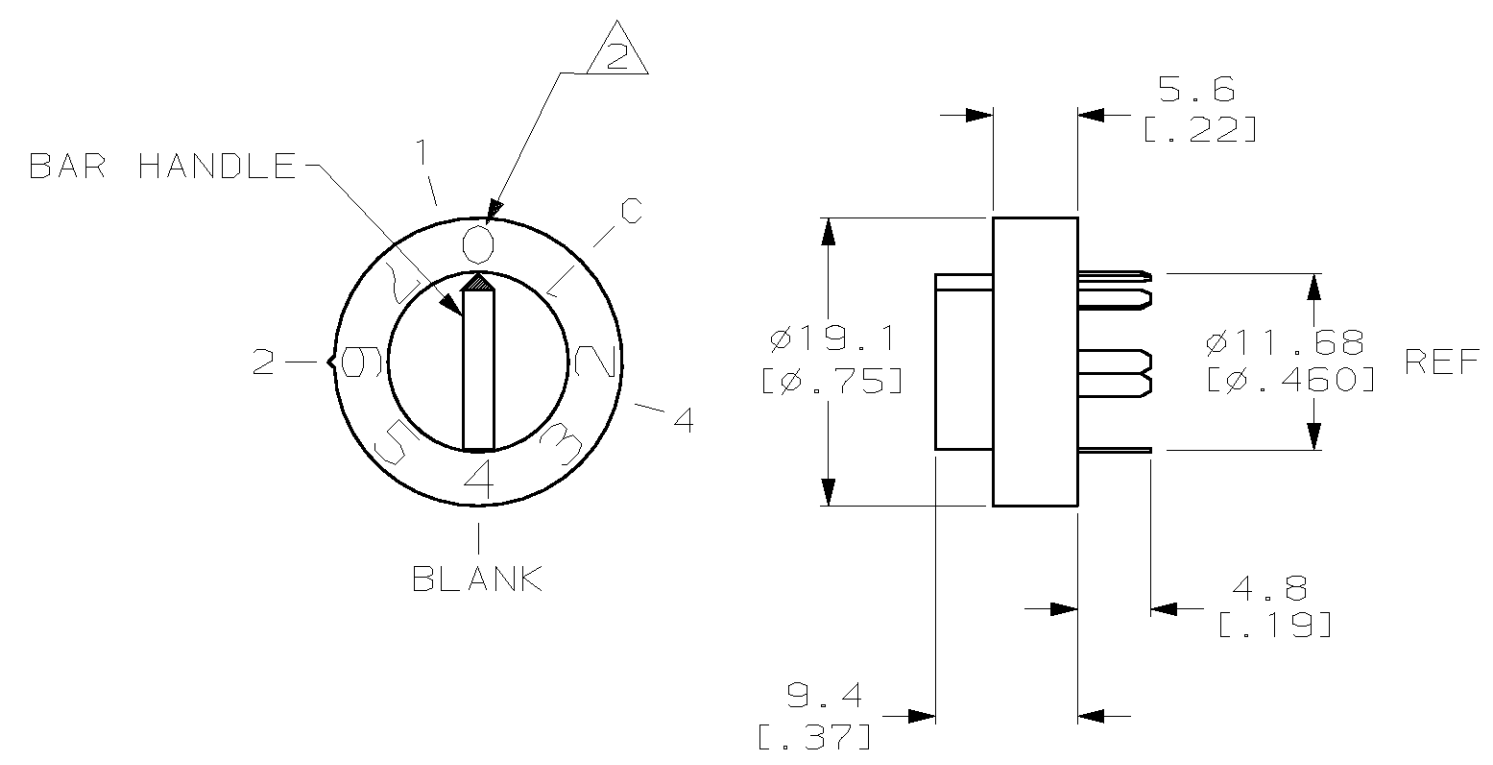
		SWITCH POSITION							
		0	1	2	3	4	5	6	7
COMMON TO	1		●		●		●		●
	2			●	●			●	●
	4					●	●	●	●

435174-1
PART NO

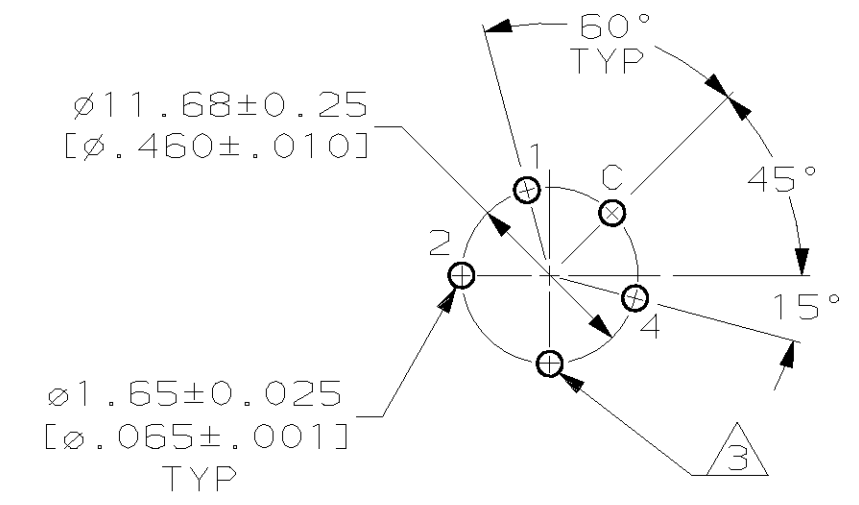
THIS DRAWING IS A CONTROLLED DOCUMENT.		DWN R. TALLEY 8-7-91	AMP AMP Incorporated Harrisburg, PA 17105-3608	
DIMENSIONS: mm [INCHES]		CHK R. MILLER 8-7-91		
TOLERANCES UNLESS OTHERWISE SPECIFIED:		APVD D. HUFFMAN 8-9-91	NAME ROTARY SWITCH ASSY, 8 POSN, 6000 SERIES BCO	
0 PLC ±-		PRODUCT SPEC 108-7514	SIZE A3	
1 PLC ±-		APPLICATION SPEC 114-7005	CAGE CODE 00779	DRAWING NO C- 435174
2 PLC ±0.5 [.02]		WEIGHT -	RESTRICTED TO -	
3 PLC ±-		CUSTOMER DRAWING		
4 PLC ±-		SCALE 2:1		
ANGLES ±0°30'		SHEET 1 OF 3		
FINISH ①		REV H		
MATERIAL CASE: THERMOPLASTIC, COLOR NATURAL CONTACT: BERYLLIUM COPPER				

THIS DRAWING IS UNPUBLISHED. RELEASED FOR PUBLICATION, 19 .
 © COPYRIGHT 19 BY AMP INCORPORATED. ALL RIGHTS RESERVED.

LOC	DIST	REVISIONS					
FT	69	P	LTR	DESCRIPTION	DATE	DWN	APVD
		H		SEE SHEET 1	-	-	-



- ① FINISH: SOLDER TAILS TIN PLATE 0.0051 [.000200] MIN. THICK. CONTACT AREA 0.00076 [.000030] MIN. HARD GOLD OVER 0.00127-0.00254 [.000050-.000100] LOW STRESS NICKEL.
- ② CHARACTERS 2.5 [.10] HIGH, COLOR BLACK.
- ③ BLANK HOLE FOR MECHANICAL STABILITY OF SWITCH.



P.C. BOARD HOLE LAYOUT
SWITCH SIDE

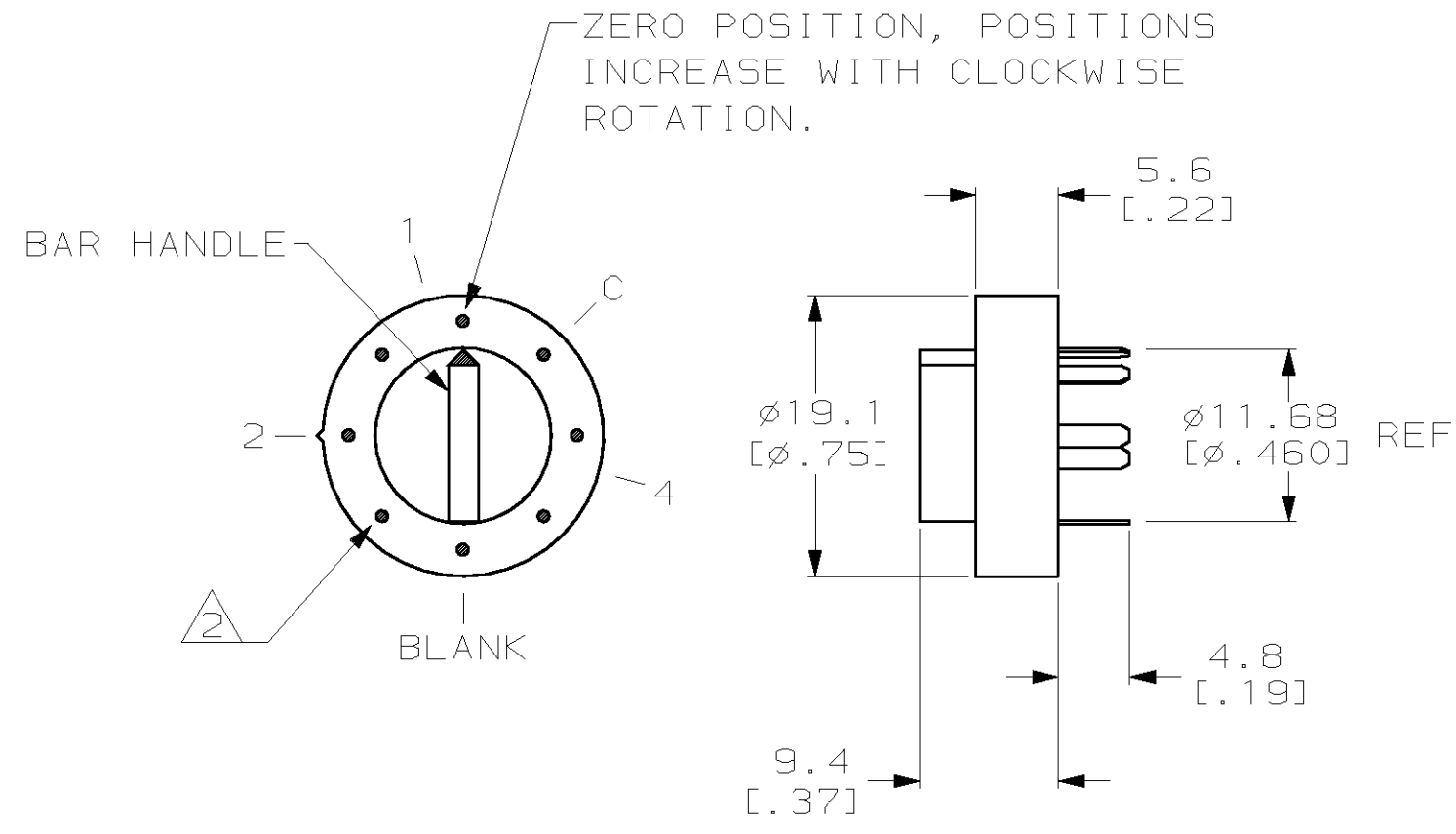
		SWITCH POSITION							
		0	1	2	3	4	5	6	7
COMMON TO	1		●		●		●		●
	2			●	●			●	●
	4					●	●	●	●

1-435174-1
PART NO

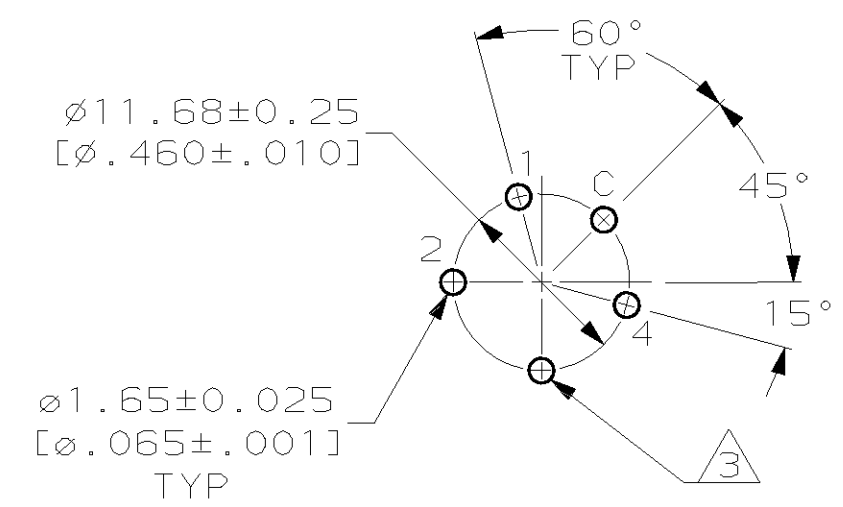
THIS DRAWING IS A CONTROLLED DOCUMENT.		DWN R. TALLEY 8-7-91	AMP AMP Incorporated Harrisburg, PA 17105-3608	
		CHK R. MILLER 8-7-91		
DIMENSIONS: mm [INCHES]		APVD D. HUFFMAN 8-9-91	NAME ROTARY SWITCH ASSY, 8 POSN, 6000 SERIES BCO	
TOLERANCES UNLESS OTHERWISE SPECIFIED: 0 PLC ±- 1 PLC ±- 2 PLC ±0.5 [.02] 3 PLC ±- 4 PLC ±- ANGLES ±0°30'		PRODUCT SPEC 108-7514	DRAWING NO 435174	
MATERIAL CASE: THERMOPLASTIC, COLOR NATURAL CONTACT: BERYLLIUM COPPER		APPLICATION SPEC 114-7005	SIZE A3	RESTRICTED TO -
FINISH ①		WEIGHT -	CAGE CODE 00779	SCALE 2:1
		CUSTOMER DRAWING		SHEET 2 OF 3
				REV H

THIS DRAWING IS UNPUBLISHED. RELEASED FOR PUBLICATION ,19 .
 © COPYRIGHT 19 BY AMP INCORPORATED. ALL RIGHTS RESERVED.

LOC	DIST	REVISIONS					
FT	69	P	LTR	DESCRIPTION	DATE	DWN	APVD
		H		SEE SHEET 1	-	-	-



- ① FINISH: SOLDER TAILS TIN PLATE 0.0051 [.000200] MIN. THICK. CONTACT AREA 0.00076 [.000030] MIN. HARD GOLD OVER 0.00127-0.00254 [.000050-.000100] LOW STRESS NICKEL.
- ② POSITION MARKINGS ø7.62 [ø.030], COLOR BLACK.
- ③ BLANK HOLE FOR MECHANICAL STABILITY OF SWITCH.



P.C. BOARD HOLE LAYOUT
SWITCH SIDE

SUPERSEDED BY 1-435174-1

		SWITCH POSITION							
		0	1	2	3	4	5	6	7
COMMON TO	1		●		●		●		●
	2			●	●			●	●
	4					●	●	●	●

1-435174-3
PART NO

THIS DRAWING IS A CONTROLLED DOCUMENT.		DWN R. TALLEY 8-7-91	AMP AMP Incorporated Harrisburg, PA 17105-3608	
DIMENSIONS: mm [INCHES]		CHK R. MILLER 8-7-91		
TOLERANCES UNLESS OTHERWISE SPECIFIED:		APVD D. HUFFMAN 8-9-91	NAME ROTARY SWITCH ASSY, 8 POSN, 6000 SERIES BCO	
0 PLC ±-		PRODUCT SPEC 108-7514	SIZE A3	
1 PLC ±-		APPLICATION SPEC 114-7005	CAGE CODE 00779	DRAWING NO C- 435174
2 PLC ±0.5 [.02]		WEIGHT -	RESTRICTED TO -	
3 PLC ±-		CUSTOMER DRAWING		
4 PLC ±-		SCALE 2:1		
ANGLES ±0°30'		SHEET 3 OF 3		
FINISH ①		REV H		
MATERIAL CASE: THERMOPLASTIC, COLOR NATURAL CONTACT: BERYLLIUM COPPER				