

SERIES 71

.5-.75" Diameter, 1/4 Amp

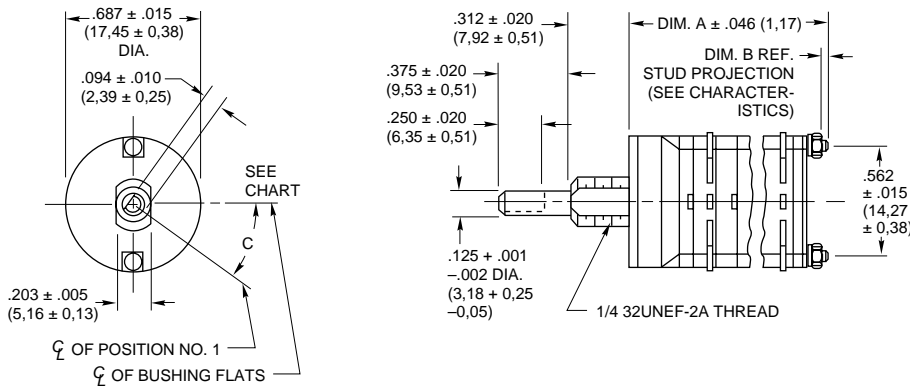
FEATURES

- Performance and Value Leader
- Molded-In Position Terminals
- Choice of Shaft/Bushing Diameters
- 30° and 36° Angles of Throw



DIMENSIONS: Standard and Military In inches (and millimeters)

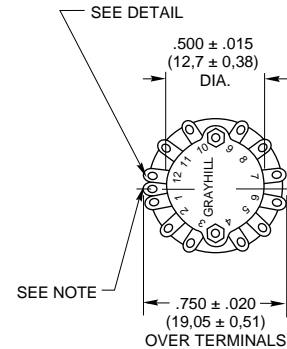
0.125" Diameter Shaft—Styles A and MA (and sealed versions)



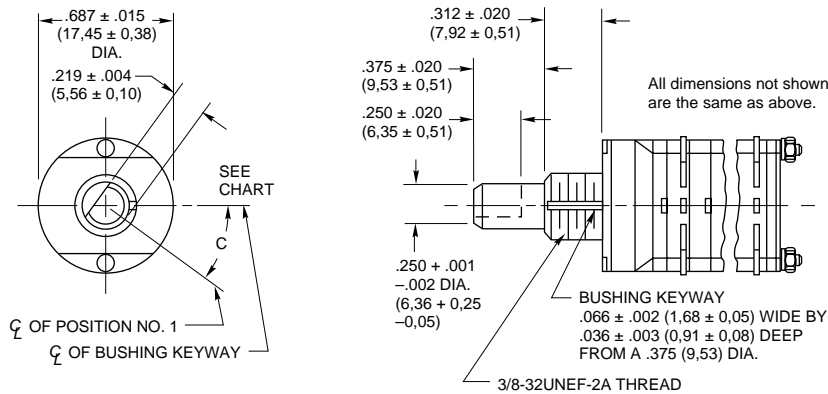
Rear Views—Style A, B, MA, MB (and sealed versions)

30° and 36° Angle of Throw may be interposed on either shaft diameter.

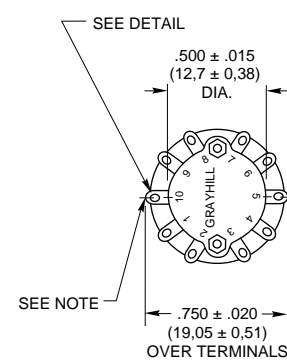
30° Angle of Throw



0.250" Diameter Shaft—Styles B and MB (and sealed versions)



36° Angle of Throw



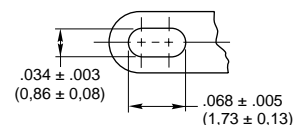
Note: Common location for a single pole per deck switch. For common location on multipole switches see circuit diagrams.

| No. of Decks | Dimension A | Dimension B | Approx. Weight Grams | No. of Decks | Dimension A | Dimension B | Approx. Weight Grams |
|--------------|---------------|-------------|----------------------|--------------|---------------|-------------|----------------------|
| 1 | .761 (19,33) | .031 (0,79) | 14 | 7 | 2.349 (59,66) | .312 (7,92) | 26 |
| 2 | .979 (24,87) | .031 (0,79) | 16 | 8 | 2.567 (65,20) | .312 (7,92) | 28 |
| 3 | 1.197 (30,40) | .031 (0,79) | 18 | 9 | 2.785 (70,74) | .312 (7,92) | 30 |
| 4 | 1.415 (35,94) | .031 (0,79) | 20 | 10 | 3.003 (76,28) | .312 (7,92) | 32 |
| 5 | 1.633 (41,48) | .031 (0,79) | 22 | 11 | 3.221 (81,81) | .312 (7,92) | 34 |
| 6 | 2.131 (54,13) | .312 (7,92) | 24 | 12 | 3.439 (87,35) | .312 (7,92) | 36 |

Angle C is 15° in 12 position switches and 36° in 10 position switches.

Grayhill part number and date code marked on detent cover label. Customer part number marked on request. Military part number marked when required.

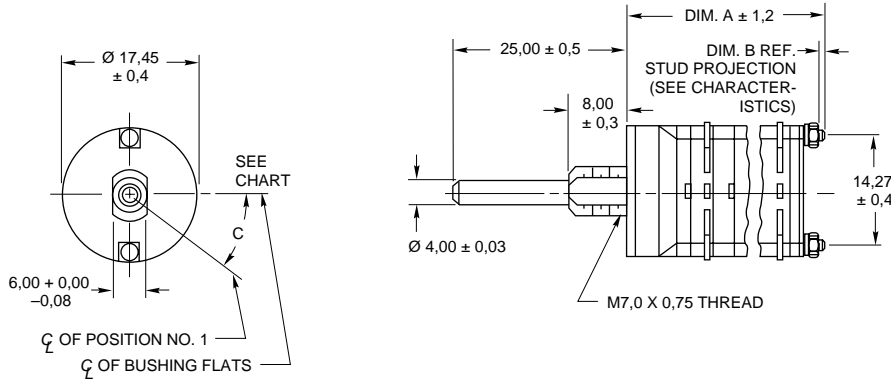
Terminal Detail



See pages J-39 through J-44 for specifications, accessories and ordering information.

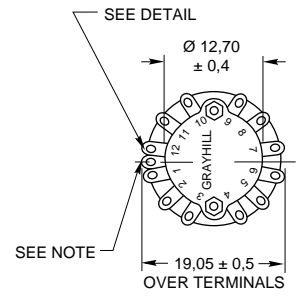
DIMENSIONS: Metric All dimensions are in millimeters

4mm Diameter Shaft—Style E and ES

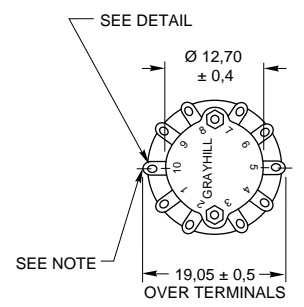


Rear Views

30° Angle of Throw

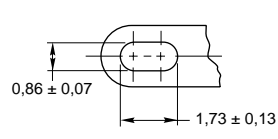


36° Angle of Throw



| No. of Decks | Dim. A | Dim. B | Approx. Weight Grams |
|--------------|--------|--------|----------------------|
| 1 | 19,33 | 0,79 | 12 |
| 2 | 24,87 | 0,79 | 14 |
| 3 | 30,40 | 0,79 | 16 |
| 4 | 35,94 | 0,79 | 18 |
| 5 | 41,48 | 0,79 | 20 |
| 6 | 54,13 | 7,92 | 22 |
| 7 | 59,66 | 7,92 | 24 |
| 8 | 65,20 | 7,92 | 26 |
| 9 | 70,74 | 7,92 | 28 |
| 10 | 76,28 | 7,92 | 30 |
| 11 | 81,81 | 7,92 | 32 |
| 12 | 87,35 | 7,92 | 34 |

Terminal Detail



Angle C is 15° in 12 position switches and 36° in 10 position switches.

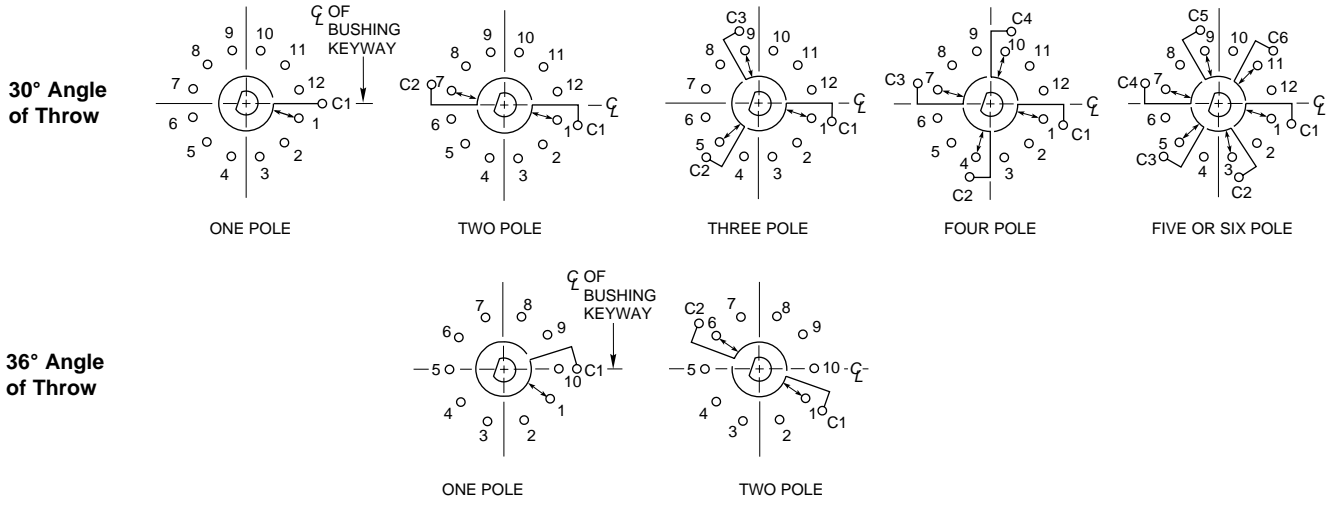
Note: Common location for a single pole per deck switch. For common location on multipole switches see circuit diagrams.

Grayhill part number and date code marked on detent cover label. Customer part number marked on request.

CIRCUIT DIAGRAMS: Standard, Military and Metric

Switch is Viewed From Shaft End and Shown in Position No. 1.

Note: All common terminals are located above base terminals as shown.



See pages J-39 through J-44 and J-63 for specifications, accessories and ordering information.

SERIES 71

.5-.75" Diameter, 1/4 Amp, PC Mount

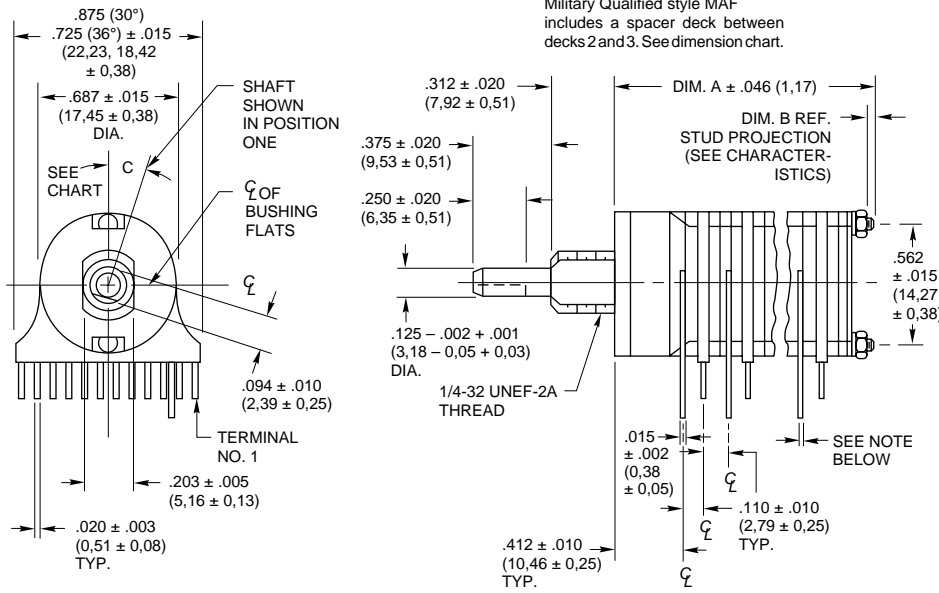
FEATURES

- Terminals From One Side
- Minimum Board Footprint
- Choice of Shaft/Bushing Diameters
- 30° and 36° Angles of Throw



DIMENSIONS: Standard and Military In inches (and millimeters)

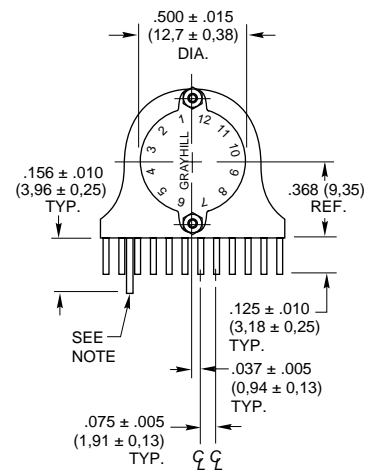
0.125" Diameter Shaft: Styles AF and MAF (and sealed versions)



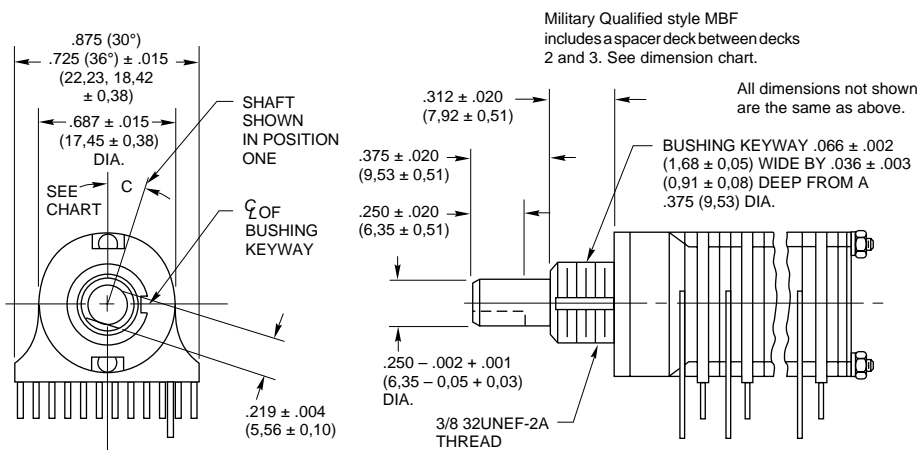
Rear Views: Styles AF, BF, MAF, MBF (and sealed versions)

30° and 36° Angle of Throw may be interposed on either shaft diameter.

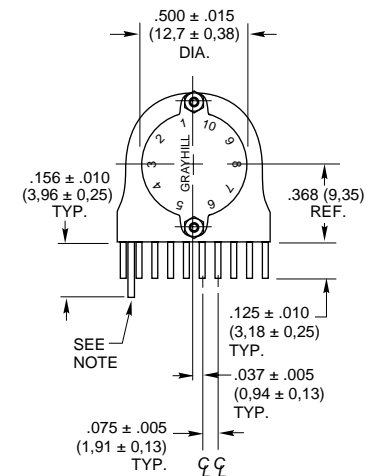
30° Angle of Throw



0.250" Diameter Shaft: Styles BF and MBF (and sealed versions)



36° Angle of Throw



| No. of Decks | Dimension A Standard Style | Dimension A Military Style | Dimension B All Styles | Approx. Weight Grams | No. of Decks | Dimension A Standard Style | Dimension B Standard Style | Approx. Weight Grams |
|--------------|----------------------------|----------------------------|------------------------|----------------------|--------------|----------------------------|----------------------------|----------------------|
| 1 | .761 (19,33) | .761 (19,33) | .031 (0,79) | 12 | 7 | 2.349 (59,66) | .312 (7,92) | 24 |
| 2 | .979 (24,87) | .979 (24,87) | .031 (0,79) | 14 | 8 | 2.567 (65,20) | .312 (7,92) | 26 |
| 3 | 1.197 (30,40) | 1.415 (35,94) | .031 (0,79) | 16* | 9 | 2.785 (70,74) | .312 (7,92) | 28 |
| 4 | 1.415 (35,94) | 1.633 (41,49) | .031 (0,79) | 18* | 10 | 3.003 (76,28) | .312 (7,92) | 30 |
| 5 | 1.633 (41,48) | N.A. | .031 (0,79) | 20 | 11 | 3.221 (81,81) | .312 (7,92) | 32 |
| 6 | 2.131 (54,13) | N.A. | .312 (7,92) | 22 | 12 | 3.439 (87,35) | .312 (7,92) | 34 |

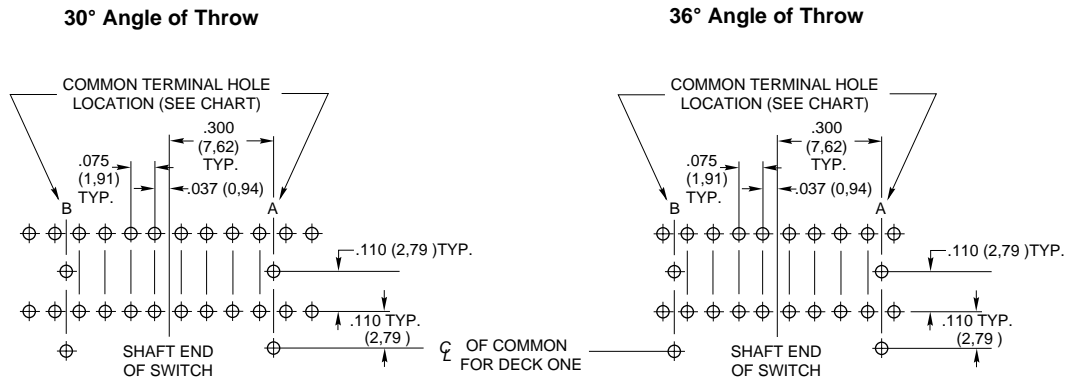
Angle C is 15° in 12 position switches and 18° in 10 position switches.
 *Military style switch is 18 grams for 3 decks and 20 grams for 4 decks.

Grayhill part number and date code marked on detent cover label. Customer part number marked on request. Military part number marked when required.

Note: Common location for a single pole per deck switch. For common location on two pole switches see circuit diagrams.

SERIES 71: PC Board Pattern In inches (and millimeters)

All Styles Except 71BT



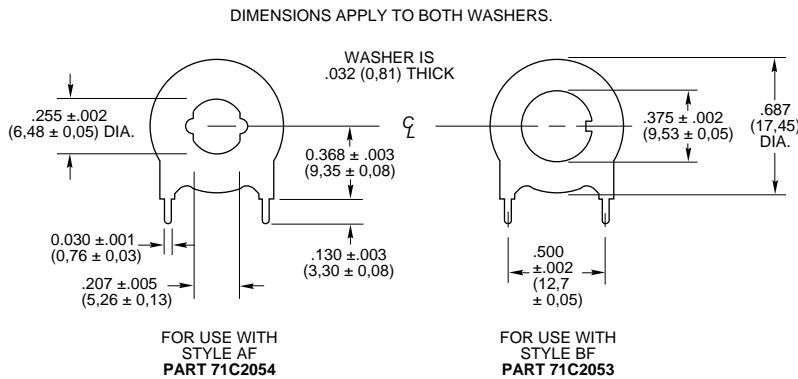
Spacer decks can be supplied to facilitate PC board layouts of three or more decks. A spacer deck does not have any terminals and provides no switching function. Dimensionally, it requires the same space as one normal switch deck. Spacer deck can be placed at any location in the switch, per your instructions. Switches which include spacer decks are procured under a special part number.

Shown for a two deck switch.
Bushing mount is recommended.

| Number of Poles Per Deck | Common Terminal Hole Location |
|--------------------------|-------------------------------|
| 1 | A |
| 2 | A and B |

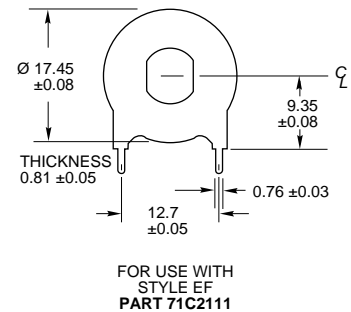
SERIES 71: PC MOUNT ACCESSORY

1/8" and 1/4" Diameter Shaft Styles In inches (and millimeters)



For printed circuit styles. Mounting bushing provides additional support for the front end of the switch. Order separately by appropriate part number. Rotary switch discount applies.

Metric Mount Styles In millimeters



FOR USE WITH
STYLE EF
PART 71C2111

See pages J-39 through J-44 for specifications, accessories and ordering information.

SERIES 71

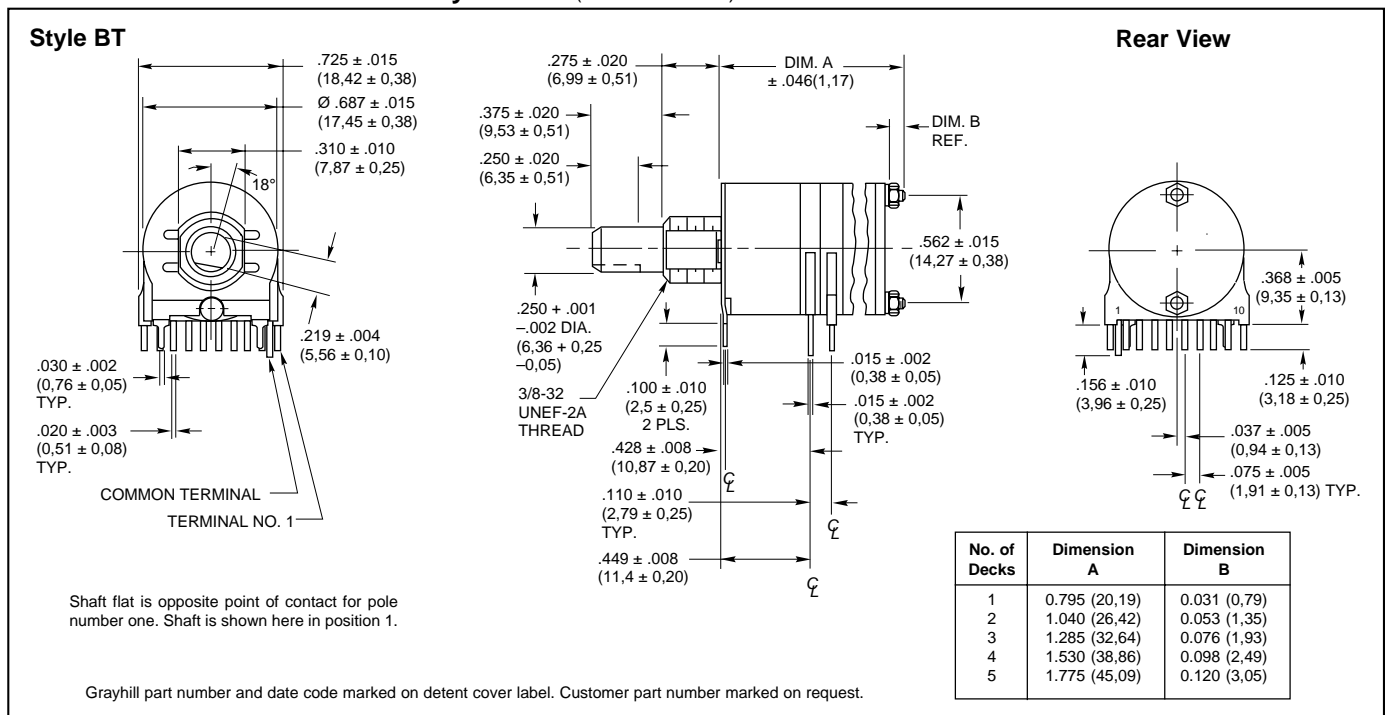
**.5-.75" Diameter, 1/4 Amp,
Process Sealed**

FEATURES

- No Hand Soldering Required
- Sealed to Resist Intrusion by Flux, Solder and Cleaning Solutions
- .75" Diameter
- 250 mA for 20,000 Cycles
- 36°, 1 or 2 Poles, Up to 5 Decks
- 10 Positions, Continuous Rotation, or 2-9 Positions With Fixed Stops

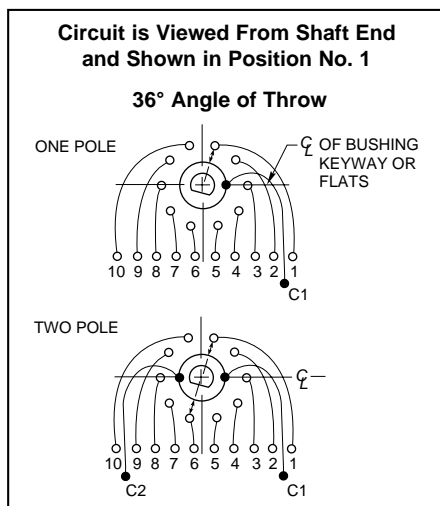


DIMENSIONS: Standard and Military In inches (and millimeters)

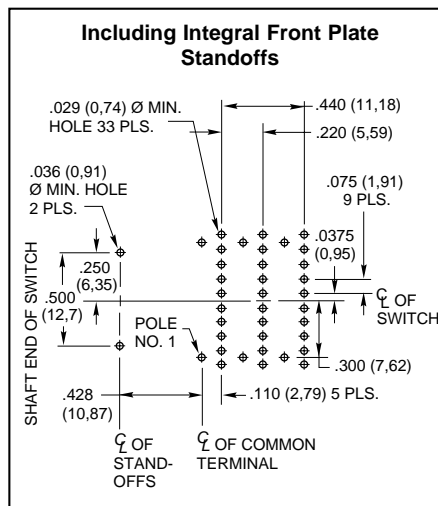


Rotary Switches

CIRCUIT DIAGRAMS



STYLE 71BT: PC Board Pattern



See pages J-39 through J-44 for specifications, accessories and ordering information.

SERIES 71

0.5 to 0.75" Diameter, 1/4 Amp, Concentric Shaft

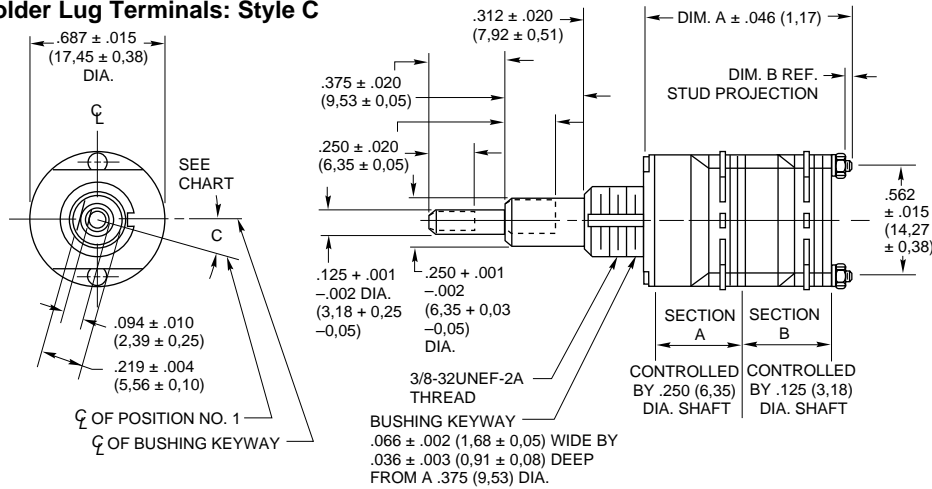
FEATURES

- Two Switches in the Panel Space of a Single Shaft Rotary



DIMENSIONS In inches (and millimeters)

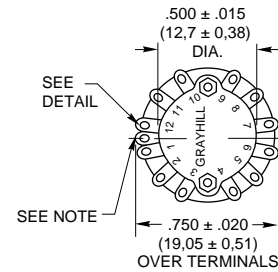
Solder Lug Terminals: Style C



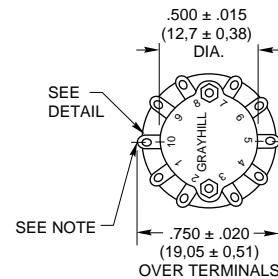
Rear Views

30° and 36° Angle of Throw may be interposed on either shaft diameter.

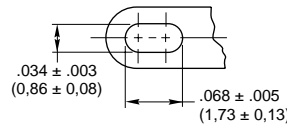
30° Angle of Throw



36° Angle of Throw



Terminal Detail



| No. of Decks | | Dimension A | Dimension B | Approx. Weight Grams |
|--------------|--------|---------------|-------------|----------------------|
| Sec. A | Sec. B | | | |
| 1 | 1 | 1.415 (35,94) | .032 (0,81) | 24 |
| 2 | 1 | 1.633 (41,49) | .032 (0,81) | 26 |
| 3 | 1 | 2.131 (54,13) | .312 (7,92) | 28 |
| 1 | 2 | 1.633 (41,49) | .032 (0,81) | 26 |
| 2 | 2 | 2.131 (54,13) | .312 (7,92) | 28 |
| 3 | 2 | 2.349 (59,66) | .312 (7,92) | 30 |
| 1 | 3 | 2.131 (54,13) | .312 (7,92) | 28 |
| 2 | 3 | 2.349 (59,66) | .312 (7,92) | 30 |
| 3 | 3 | 2.567 (65,20) | .312 (7,92) | 32 |

Angle C is 15° in 12 position switches and 36° in 10 position switches.

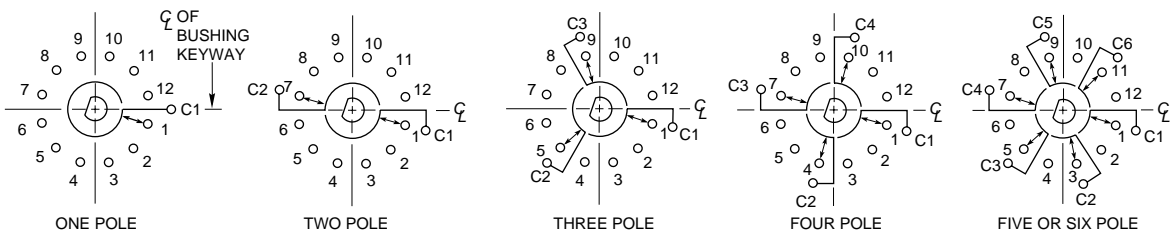
Grayhill part number and date code marked on detent cover label. Customer part number marked on request.

CIRCUIT DIAGRAMS: Solder Lug Terminals

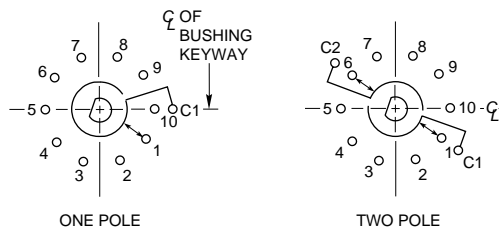
Switch is Viewed From Shaft End and Shown in Position No. 1.

Note: All common terminals are located above base terminals as shown.

30° Angle of Throw



36° Angle of Throw



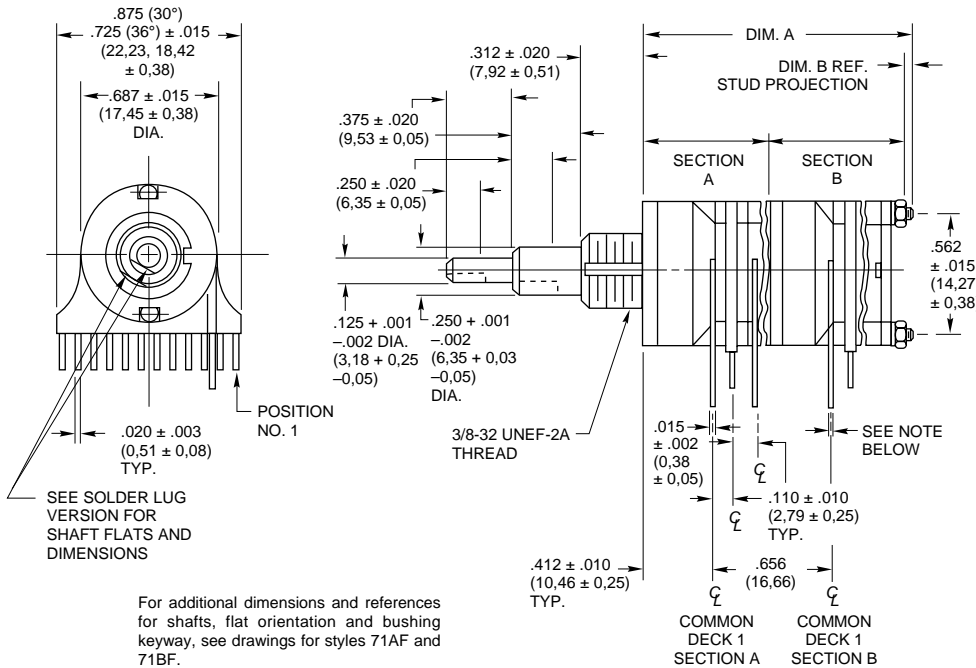
ADD-A-POT SWITCHES

Contact Grayhill for Series 71 Concentric Add-A-Pot or Add-A-Switch type switches.

See pages J-39 through J-44 for specifications, accessories and ordering information.

DIMENSIONS In inches (and millimeters)

PC Mount: Style CF



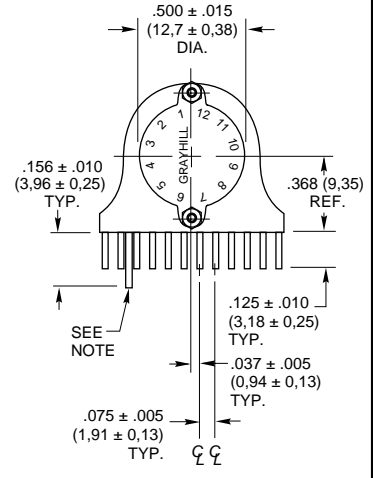
| No. of Decks | | Dimension A | Dimension B | Approx. Weight Grams |
|--------------|--------|---------------|-------------|----------------------|
| Sec. A | Sec. B | | | |
| 1 | 1 | 1.415 (35,94) | .032 (0,81) | 24 |
| 2 | 1 | 1.633 (41,49) | .032 (0,81) | 26 |
| 3 | 1 | 2.131 (54,13) | .312 (7,92) | 28 |
| 1 | 2 | 1.633 (41,49) | .032 (0,81) | 26 |
| 2 | 2 | 2.131 (54,13) | .312 (7,92) | 28 |
| 3 | 2 | 2.349 (59,66) | .312 (7,92) | 30 |
| 1 | 3 | 2.131 (54,13) | .312 (7,92) | 28 |
| 2 | 3 | 2.349 (59,66) | .312 (7,92) | 30 |
| 3 | 3 | 2.567 (65,20) | .312 (7,92) | 32 |

Grayhill part number and date code marked on detent cover label. Customer part number marked on request.

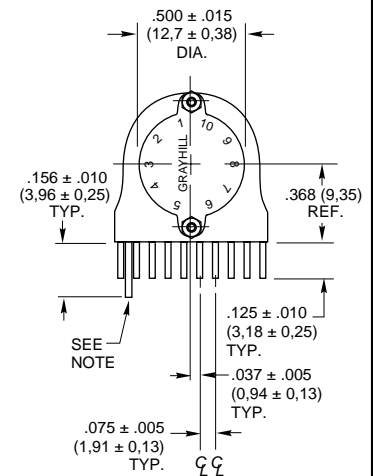
Rear Views

30° and 36° Angle of Throw may be interposed on either shaft diameter.

30° Angle of Throw



36° Angle of Throw



Note: Common location for a Single Pole Per Deck Switch. For common location on multipole switches see circuit diagrams.

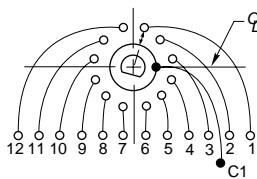
For layout of printed circuit board, see diagrams illustrated on page J-36.

CIRCUIT DIAGRAMS: PC Mount Terminals

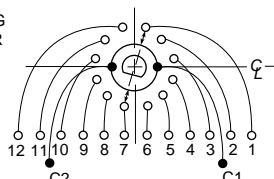
Switch is Viewed From Shaft End and Shown in Position No. 1.

Note: All common terminals are located above base terminals as shown.

30° Angle of Throw

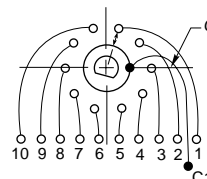


ONE POLE

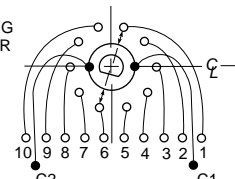


TWO POLE

36° Angle of Throw



ONE POLE



TWO POLE

See pages J-39 through J-44 for specifications, accessories and ordering information.

Rotary Switches

SPECIFICATIONS

Military Qualification MIL-S-3786/39

The military style of the Series 71 rotary switch is qualified to MIL-S-3786/39. Complete electrical rating information is listed on the following page. The Series 71 rotary switch qualification includes the 30° and the 36° angles of throw, in .125" (3,18) and .250" (6,35) diameter shafts, with solder lug terminals and printed circuit terminals, in sealed and unsealed style switches. Standard variations such as shaft and/or bushing length, etc. that do not affect the switch performance can also be marked as qualified product. Contact Grayhill for complete details.

Dimensionally the military style is the same as the standard style with the exception of the PC version of 3 or 4 decks; a spacer deck between decks 2 and 3 adds another deck length to the

switch without increasing the number of operative decks.

Another difference in the standard and military styles is the mounting hardware. Ordered as options with a standard style switch these items are included with the military style switch: non-turn washer with solder lug style and a non-turn washer plus a mounting bushing washer with the PC terminal style.

Complete specification drawings are available from Grayhill, Inc. for the standard military qualified products. Military qualified Series 71 rotary switches may be ordered by the "M" number listed in Military Specification Sheet/39 or by Grayhill part number. All qualified switches will be marked to the specification.

Military Shaft and Panel Seal

A shaft and panel seal is available to provide watertight mounting of the Series 71 standard military style rotary switches. Sealing is accomplished by an O-ring shaft seal and a panel seal washer. Panel seal dimension differences are shown in the dimensional drawings. When the panel seal is compressed, dimensions are approximately the same as an unsealed switch. If the non-turn washer supplied with the switch is used, it should not be allowed to extend entirely through the panel when mounting a sealed switch. However, the bushing may be used as a non-turn device instead. Switches are provided with a double flat bushing in styles which include the letter A and with a bushing which has a keyway in the styles which include the letter B.

SPECIFICATIONS: Materials and Finishes

Materials and Finishes

Standard Style

Cover: Diallyl per (MIL-M-14) ASTM-D-5948 except for 71 BT (see bushing).

Base and Deck Separator: Diallyl per (MIL-M-14) ASTM-D-5948

Rotor Mounting Plate: Thermoplastic

Bushing: Zinc casting, cadmium-plated per ZZ-P-416, Class 2, Type II.

Through Bolts and Nuts, Shaft and Rear Support Plate, Stop Pins and Stop Arm (All Others): Stainless steel

Shaft, Stop Plates, Stop Arm (71BT): Reinforced thermoplastic

Detent Rotor: Reinforced thermoplastic for 71BT; phenolic per (MIL-M-14) ASTM-D-5948 for all others

Detent Balls: Steel, nickel-plated

Detent Springs: Tinned music wire

Rotor Contact: Silver alloy and beryllium copper

Base Contacts, Common Plate and Terminals: Brass, Gold plate .000005" minimum over Silver plate .00005" over nickel .00002".

Front Support Plate (71 BT only): Tempered steel, tin/lead-plated.

Interdeck Seal (71 BT Only): Silicone
Extension: Brass, unplated

Mounting Hardware: One mounting nut and one internal tooth lockwasher are supplied with each switch. For switches with A in the style description, the nut is .062" (1,57) thick by .312" (7,92) across flats. For switches with B or C in the style description, the nut is .094" (2,39) thick by .562" (14,27) across flats. Nuts are brass, cadmium-plated per QQ-P-416, Class 2, Type II.

Materials and Finishes

Military Qualified

Cover, Base and Deck Separator: Diallyl per (MIL-M-14) ASTM-D-5948

Rotor Mounting Plate: Thermoplastic

Bushing: Zinc, cadmium-plated per QQ-P-416, Class 2, Type II

Through Bolts and Nuts, Shaft Extension, Lockwashers, Shaft and Rear Support Plate, Stop Pins and Stop Arm (All Others): Stainless steel

Detent Balls: Steel, nickel-plated

Detent Springs: Tinned music wire

Rotor Contact: Silver alloy and beryllium copper

Base Contacts, Common Plate and Terminals:

Brass, gold plate .000005" minimum over silver plate .00005" over Nickel .00002".

Detent Rotor: Phenolic per (MIL-M-14) ASTM-D-5948

Mounting Hardware: One mounting nut and one internal tooth lockwasher are supplied with each Series 71 switch. For switches with Style A in the description, the nut is .062" (1,57) thick by .312" (7,92) across flats. For switches with Style B or C in the description, the nut is .094" (2,39) thick by .562" (14,27) across flats. Nuts are brass, cadmium-plated per QQ-P-416 Class 2, Type II.

Additional Hardware: Each switch is supplied with a non-turn washer to use if desired. Additionally, each PC mount switch is supplied with a mounting bushing washer (see PC Mount Accessory). For switches with Style A in the description, non-turn washer is stainless steel; for switches with Style B in the description, non-turn washer is stainless steel. Mounting bushing washer (PC Mount Accessory) is brass, cadmium-plated. For dimensions of non-turn washers see page J-24. For custom control knobs accessories see page I-57.

SPECIFICATIONS: Electrical Ratings, Others

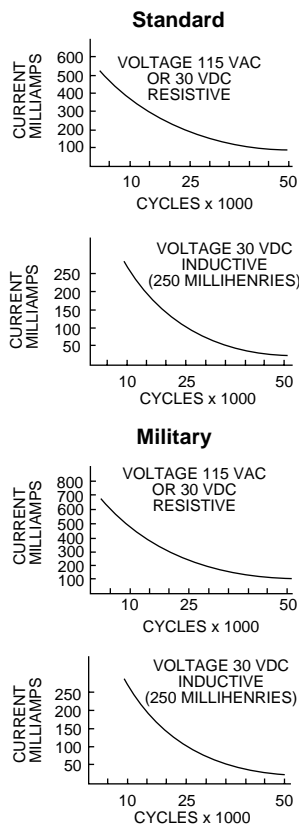
Electrical Ratings

General

Charts: Charts shown are for non-shorting (break before make) contacts. Measurements were made at 25°C and 68% relative humidity. The load life curves show the number of rotational cycles which can be expected for the voltage, current and type of load. Thus, for a standard style switch with a 300 milliampere 115 Vac resistive load, the expected life is 15,000 cycles. Reducing the load to 200 milliamperes increases the life to 25,000 cycles. Life limiting or failure criteria are listed in the rating sections which follow.

Cycles: A cycle is a 360° rotation and a return through all switch positions to the starting position.

Voltage: As listed in charts.



Electrical Ratings

Standard Style

Curves are based on the following failure criteria:

Contact Resistance: 50 milliohms maximum (20 milliohms initially).

Insulation Resistance: 1,000 megohms minimum between terminals and shaft. (50,000 megohms initially).

Voltage Breakdown: 500 Vac minimum between mutually insulated parts.

Current Rating: These switches will carry 4 amperes with a maximum contact temperature rise of 20°C. If the life limiting characteristics are less critical than those shown above, if elevated temperatures or reduced pressures are involved, Grayhill can predict the switch life for the application.

Meet the Following Requirements of MIL-S-3786: Moisture Resistance: Medium and High Shock; Vibration (10 to 2,000 cps); Thermal Shock (-65°C to 85°C); Salt Spray, Explosion; and Stop Strength (10 in-lb).

Electrical Ratings

Military Style

Curves are based on the following failure criteria:

Qualified to the following MIL-S-3786/39 circuit values: (also see standard style description.) The Series 71 has been tested to meet the requirements of MIL-S-3786, Style SR39, the majority of which are listed here. At 85°C approximately 68% relative humidity and sea level pressure, the switches have been tested to make and break the following loads, as stated in MIL-S-3786/39: 125 milliamperes at 28 Vdc resistive; 75 milliamperes at 115 Vac resistive.

The switches have also been tested at reduced barometric pressure (70,000 feet), 25°C at approximately 68% relative humidity to make and break the following loads as stated in MIL-S-3786/39: 50 milliamperes, 28 Vdc resistive; 20 milliamperes, 115 Vac resistive. When tested to the above loads at stated conditions, the Series 71 switches meet the following life-limiting criteria after 25,000 cycles of operation in accordance with MIL-S-3786/39.

Contact Resistance: 50 milliohms maximum after life.

Insulation Resistance: 1,000 megohms minimum between terminals and shaft.

Dielectric Strength: 500 Vac (atmospheric pressure) and 350 Vac (reduced pressure) between mutually insulated parts.

The Series 71 also meets the requirements of MIL-S-3786/39 for moisture resistance, stop strength, rotational torque, vibration (10 through 2,000 cps), medium and high shock, salt spray, explosion, thermal shock (-65°C to 85°C) and terminal pull. When tested at sea level, 25°C and 68% relative humidity with failure criteria of 50 milliohms maximum contact resistance and 500 Vac breakdown voltage, these switches will make and break 250 milliamperes at 28 Vdc inductive (250 millihenries) 500 milliamperes at 28 Vdc resistive; 500 milliamperes at 115 volts Vac, 60 hertz resistive, for 10,000 cycles of operation.

Additional Characteristics

Standard and Military Styles

Rotational Torque: 4-32 ounce-inches, (28-230 N•mm) depending on the number of poles per deck and the number of decks.

Contacts: Shorting or non-shorting wiping contacts with over 100 grams of contact force.

Shaft Flat Orientation: Opposite first position pole no. 1 (See Circuit Diagrams).

Terminals: Switches are provided with full circle of terminals regardless of the number of active positions.

Extended Studs: Switches of 6 or more decks (or concentric switches of 4 or more) have longer studs and extra stud nuts for recommended double end mounting. Stud hole size is 1/16" diameter for #0-80 NF-2A thread.

Stop Strength: 10 pound-inches.

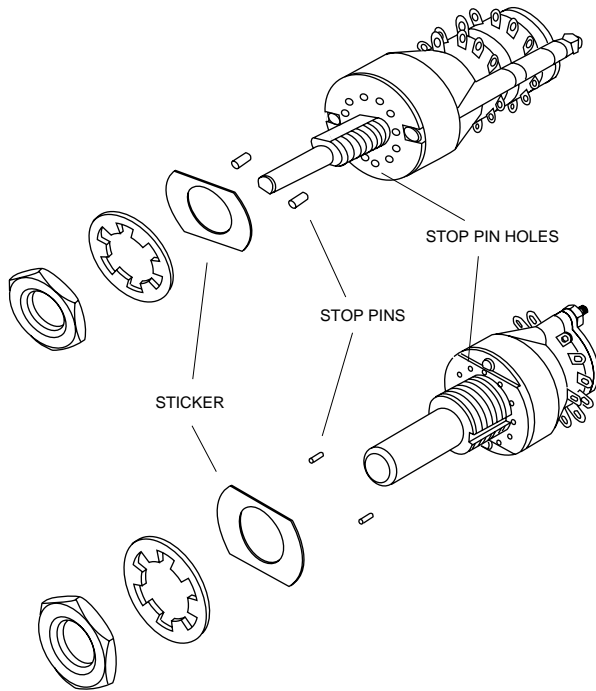
Mounting Bushing Strength: 10 pound-inches.

STANDARD OPTIONS

Intermixing of shorting/non-shorting, RFI grounding and shielding, see pages J-9 and J-10.

ADJUSTABLE STOPS

Set and Reset Stops to Limit Rotation Form, Fit, Function Equivalent to Fixed Stop Styles



The adjustable stop Series 71 rotary switches allow you to change the number of positions per pole. Simply remove and relocate stop pins in the holes in the front of the switch. The pins are held in place by a self adhesive sticker which fits over the front plate.

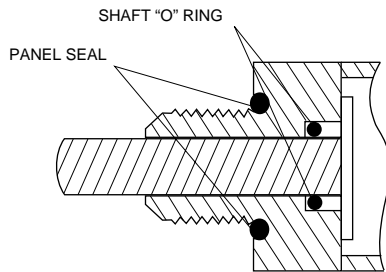
This feature is available in the Series 71 single shaft standard switches with either 1/8" or 1/4" diameter shafts with either PC or solder lug terminals. It is not available in military qualified or concentric shaft styles.

All dimensions, ratings and characteristics are the same as the fixed stop equivalent. The chart shown here describes the adjustable stop style substitutions for the fixed stop styles. Although Series 71 is not an exact dimensional equivalent of the fixed stop styles of Series 8 and 9, it most nearly represents a functional substitution.

| Fixed Stop Style | Adjustable Stop Substitution |
|------------------|------------------------------|
| 08A | 71AD |
| 09A | 71AD |
| 71A | 71AD |
| 71AF | 71ADF |
| 71B | 71BD |
| 71BF | 71BDF |
| 71E | 71ED |
| 71EF | 71EDF |

For more adjustable stop information, see page J-6. For ordering information, see page J-44.

SHAFT AND PANEL SEAL



The shaft is sealed by an O-ring inside the bushing. The panel is sealed by an O-ring at the base of the bushing.

The seals do not alter the dimensions as shown in the drawings when the switch is mounted.

The panel seal is silicone rubber. The shaft seal is an O-ring per MIL-P-5516B.

ACCESSORIES: Non-Turn Washers In inches (and millimeters)

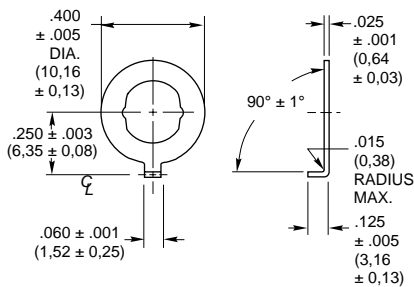
1/8" and 1/4" Diameter Shaft Switches

The bushing of the Series 71 switch is designed so the switch will not turn if the panel has been cut to fit the exact bushing shape. The bushing for the 1/8" diameter shaft switch has a double flat; the 1/4" diameter shaft switch has a keyway in the bushing. An alternate means of keeping the switches from turning is to mount them with optional, non-turn washers.

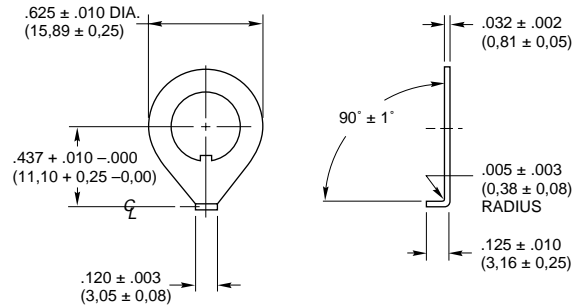
Part number 50J1066 is made of Stainless Steel. It is supplied with military switches with Style A in the description. When ordered for standard product, a like number of switches must be ordered.

Part number 12C1087-1 is Brass, Cadmium-plated and may be ordered for standard product.

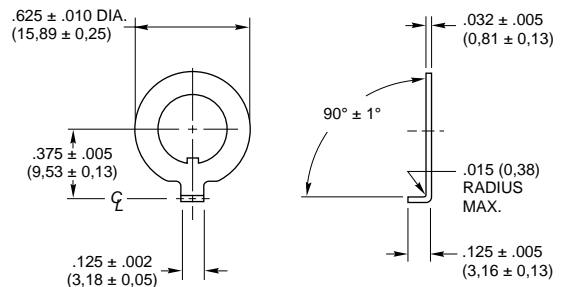
Part number SHH694-5 is Stainless Steel washer supplied with all military style switches with Style B in the description.



PART NO. 50J1066
MILITARY AND STANDARD
FOR 1/8" DIAMETER SHAFT



PART NO. 12C1087-1
STANDARD



PART NO. SHH694-5
MILITARY
FOR 1/4" DIAMETER SHAFT

4mm Diameter Shaft Switches

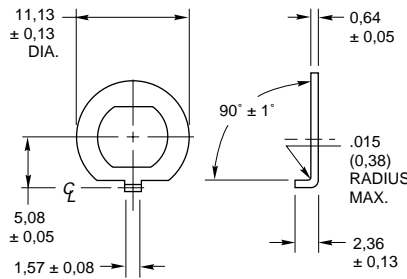
Non-Turn Washer

For styles E, ED, EF and EDF.

Mounting bushing washer provides non-turn feature.

302 Stainless Steel.

Part No. 71 J1103. Contact Grayhill for price.



Control Knobs Available.

See page I-57.

CHOICES AND LIMITATIONS: Series 71

A = 1/8" Diameter Shaft
 B = 1/4" Diameter Shaft
 E = Metric Mount Shaft & Bushing
 D = Adjustable Stops (Adj. Stop)
 S = Shaft and Panel Seal (S/P Seal)

F = PC Mount Terminals
 T = PC Mount Terminals and Process Sealed Switching Decks & Bushing; no panel seal
 M = Military

C = Concentric Shaft
 2 Switches with same Style and Angle of Throw, one behind the other.
 Limits below apply to either switch section (A or B).

All switches without F or T have solder lugs

| Basic Style | Style Choices With S/P Seal | Adj. Stop | Angle of Throw | No. Of Decks | Poles Per Deck | Positions Per Pole ¹ | Shorting Or Non-Shorting |
|----------------|-----------------------------|-------------------|----------------|---|--|---|--|
| A B E | AS BS ES | AD BD ED | 30° | 01 thru 12 01 thru 08 01 thru 05 01 thru 04 01 thru 03 01 or 02 | 1 2 3 4 5 ⁵ 6 ⁵ | 02 thru 12 ³ 02 thru 06 02 thru 04 02 or 03 02 02 | N or S N or S N or S N or S N or S N or S |
| | | | 36° | 01 thru 12 01 thru 08 | 1 2 | 02 thru 10 ³ 02 thru 05 | N or S N or S |
| AF BF EF | ASF BSF ESF | ADF BDF EDF | 30° | 01 thru 12 01 thru 08 | 1 2 | 02 thru 12 ³ 02 thru 06 | N or S N or S |
| | | | 36° | 01 thru 12 01 thru 08 | 1 2 | 02 thru 10 ³ 02 thru 05 | N or S N or S |
| BT | — | — | 36° | 01 thru 05 01 thru 05 | 1 2 | 02 thru 10 ³ 02 thru 05 | N or S N or S |
| MA MB | MAS MBS | — — | 30° | 01 thru 05 ⁴ 01 thru 05 ⁴ 01 thru 05 ⁴ 01 thru 04 ⁴ 01 thru 02 ⁴ | 1 2 3 4 6 | 02 thru 12 ³ 02 thru 06 02 thru 04 02 or 03 02 | N or S N or S N or S N or S N or S |
| | | | 36° | 01 thru 05 ⁴ 01 thru 05 ⁴ | 1 2 | 02 thru 10 ³ 02 thru 05 | N or S N or S |
| MAF MBF | MASF MBSF | — — | 30° | 01 thru 04 ^{2,4} 01 thru 04 ^{2,4} | 1 2 | 02 thru 12 ³ 02 thru 06 | N or S N or S |
| | | | 36° | 01 thru 04 ^{2,4} 01 thru 04 ^{2,4} | 1 2 | 02 thru 10 ³ 02 thru 05 | N or S N or S |
| C | — | — | 30° | 01 thru 03 01 thru 03 01 or 02 01 01 01 | 1 2 3 4 5 6 | 02 thru 12 ³ 02 thru 06 02 thru 04 02 or 03 02 02 | N or S N or S N or S N or S N or S N or S |
| | | | 36° | 01 thru 03 01 thru 03 | 1 2 | 02 thru 10 ³ 02 thru 05 | N or S N or S |
| CF | — | — | 30° | 01 thru 03 01 thru 03 | 1 2 | 02 thru 12 ³ 02 thru 06 | N or S N or S |
| | | | 36° | 01 thru 03 01 thru 03 | 1 2 | 02 thru 10 ³ 02 thru 05 | N or S N or S |

¹ For Adjustable Stop styles (with the letter D), use AJ instead of number of positions when ordering.

² Military Qualified PC mount switches of 3 or 4 operative decks have an additional spacer deck after deck 2. Use total decks to calculate

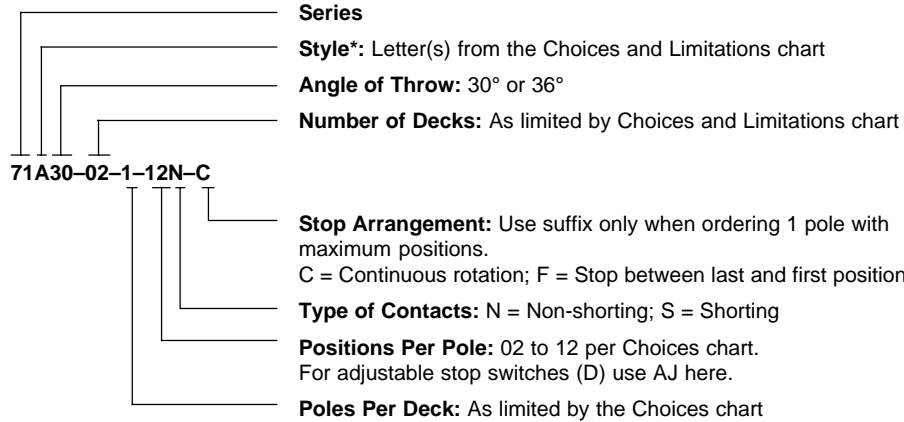
length; but use only the number of *operative* decks when creating the part number.

³ For 1-pole switches with maximum positions, specify **Fixed** stop after last position or **Continuous** rotation when ordering. (Note: 1 p, 71BT, 10 positions, is available only as **Continuous**).

⁴ In addition to qualified types (Solder lug-5 decks; PC mount-4 decks), Grayhill can provide switches with additional decks in the materials of the 'M' style. Contact Grayhill.

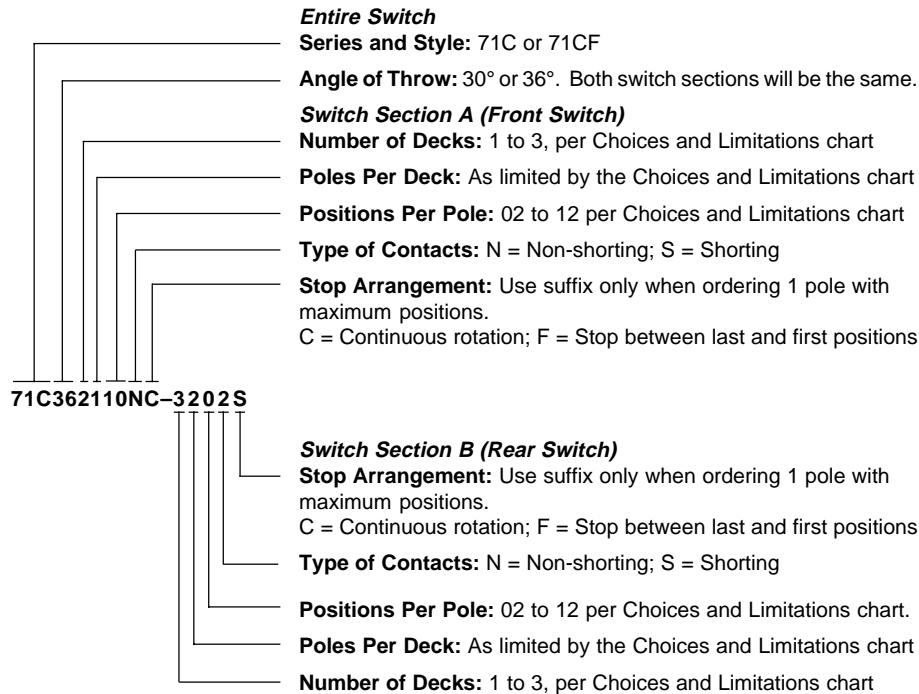
⁵ Switches in 30° throw with 5 or 6 poles per deck are not available with adjustable stops.

ORDERING INFORMATION: Single Shaft Switches



* All rotary switches that are required to have military designated markings and testing adhering to MIL-3786 are to be ordered by specifying the military part number identified on the appropriate slash sheet.

ORDERING INFORMATION: Concentric Shaft Switches



Rotary Switches

ACCESSORIES

Control knobs available, see page I-57.

Available from your local Grayhill Distributor.
For prices and discounts, contact a Local Sales Office, an authorized local Distributor or Grayhill.