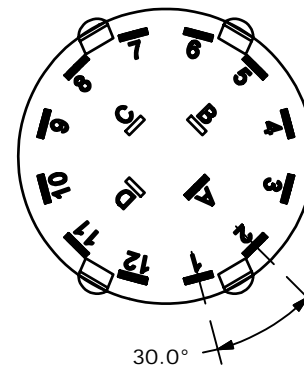
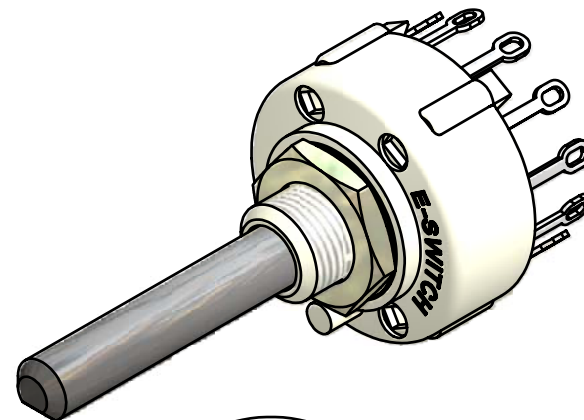
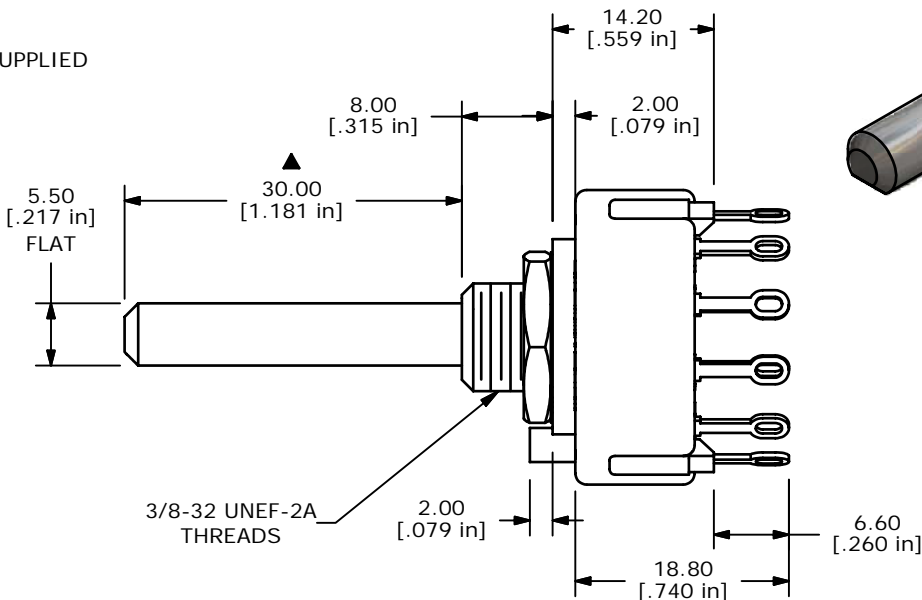
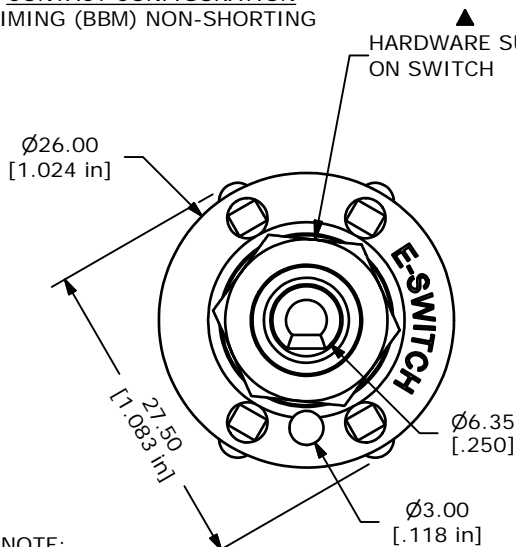


CONTACT CONFIGURATION  
TIMING (BBM) NON-SHORTING



- NOTE:
1. ALL DIMENSIONS IN MM[INCH].
  2. GENERAL TOLERANCE: X.X=±0.4  
X.XX=±0.25
  3. TERM. NOS. FOR REFERENCE ONLY.
  4. CONTACT MATERIAL: SILVER
  5. CONTACT RATING: 150MILLIAMPS, 250VAC/DC  
350MILLIAMPS, 110VAC/DC
  6. CONTACT RATING (NON-SWITCHING) 5A
  7. OPERATING FORCE 425±100CM/STANDARD
  8. OPERATING TEMP: -30°C TO 85°C
  - ▲9. CIRCUIT SP: 12 POSITION 30° INDEX.
  10. DIELECTRIC STRENGTH: 1000V RMS MIN.@ SEA LEVEL.
  - ▲11. HARDWARE SUPPLIED ON SWITCH:  
LOCKWASHER, HEXNUT
  12. ▲ DENOTES CRITICAL PARAMETER.
  13. 2002/95/EC (ROHS) COMPLIANT

G	17313	FIXED ACT LENGTH, ADD NOTE 13	5/21/07	TN
F	16135	EDIT NOTE 9	6/12/06	CT
E	14487	REVISED & REDRAWN	11/10/04	AR
D	12821	RECIVISED TO SHOW HARDWARE	3/3/03	CJB
C	21249	REVISED NOTE 11	6/19/02	CJB
REV	PCR NO	DESCRIPTION	DATE	BY



TITLE KC52A30.001NLS

SCALE	DATE	DR	DWG	REV
1.5:1	5/21/2007	TN	G510240	G

THE INFORMATION CONTAINED IN THIS DOCUMENT IS PROPRIETARY TO E-SWITCH AND IS NOT TO BE COPIED OR TRANSFERRED