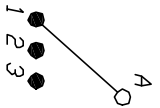
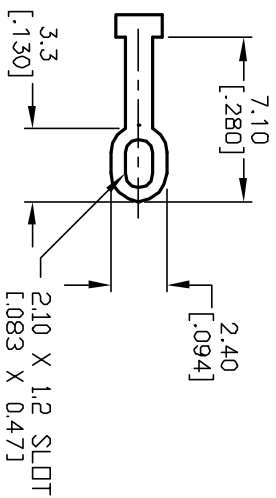


NOTES:

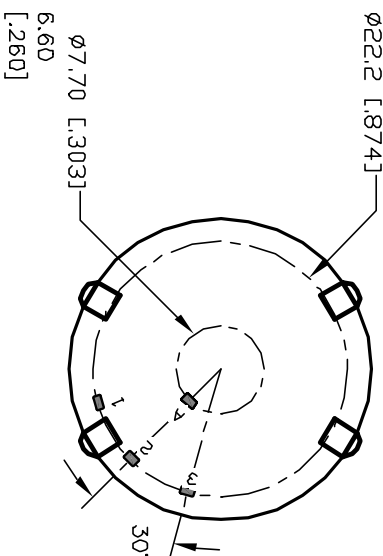
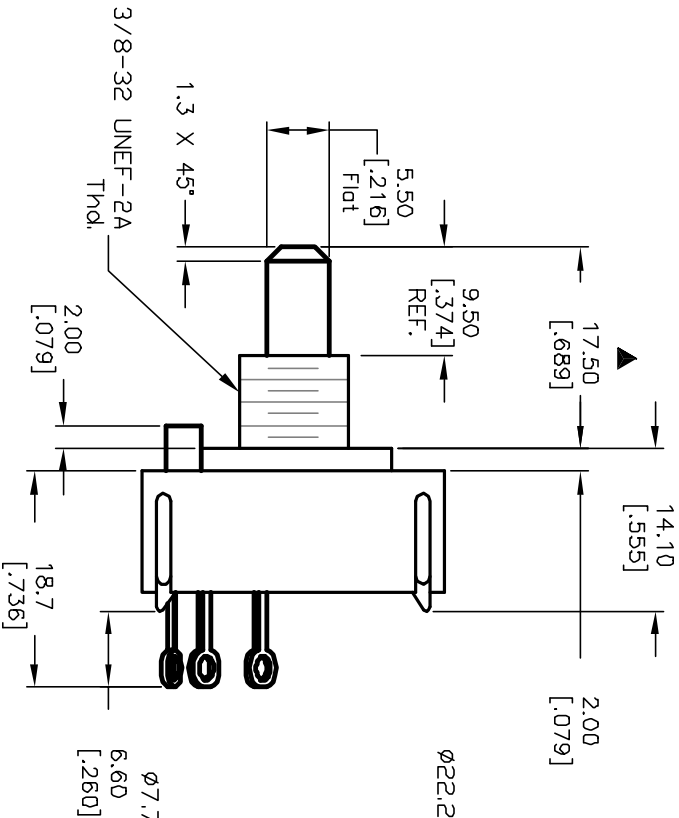
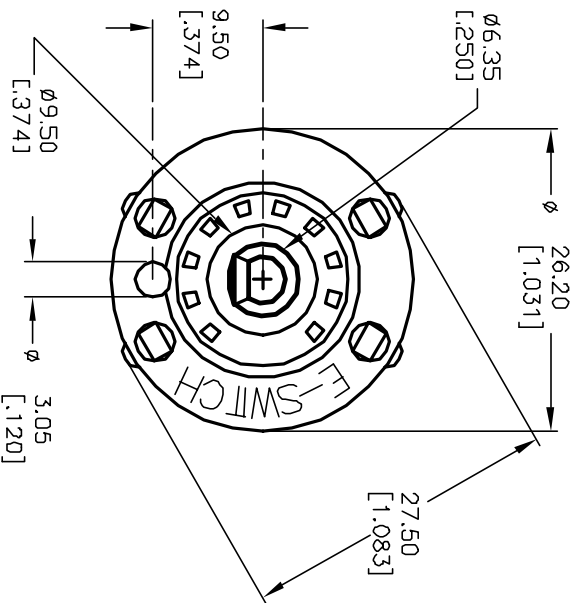
1. ALL DIMENSION IN MM [INCH]
2. GENERAL TOLERANCE: X.X=±0.4
X.XX=±0.25
3. TERM. NOS. FOR REF. ONLY
4. CONTACT RATING SWITCHING: 150mA, 250V AC/DC
350mA, 110V AC/DC
5. CONTACT RATING (NON-SWITCHING) 5A
6. OPERATING FORCE: 425±100 CM/STANDARD
7. OPERATING TEMP: -30° to 85°C
8. CIRCUIT SP: 3 POSITIONS, 30° INDEX
9. DIELECTRIC STRENGTH 1000V RMS min. @ SEA LEVEL
10. DESIGNATE MAJOR DIMENSIONS
11. SUPPLIED HARDWARE: LOCK NUT AND WASHER NOT SHOWN.



CONTACT CONFIGURATION
Timing: Non-Shorting (BBM)



TERMINATION DETAIL
SCALE 2X



E-SWITCH®		TITLE		SCALE		DATE		DR		DWG		REV	
		KC-13-A (9.5mm)-01-N-L-S		1.5:1		3/14/01		CJB		G510713		B	
B	12356	REV	DESC PER NEW CATALOG	11/22/02	CJB								
A	11301	RELEASED FOR PRODUCTION	3/14/01	CJB									
REV.	ECN No.	DESCRIPTION		DATE	CHKD								
<p>THE INFORMATION CONTAINED IN THIS DOCUMENT IS PROPRIETARY TO E-SWITCH AND IS NOT TO BE COPIED OR TRANSFERRED</p>													