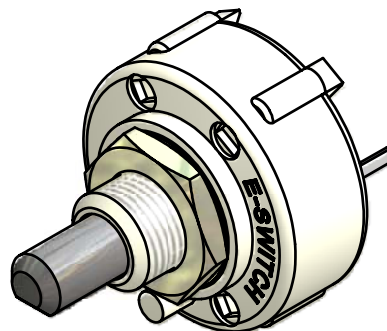
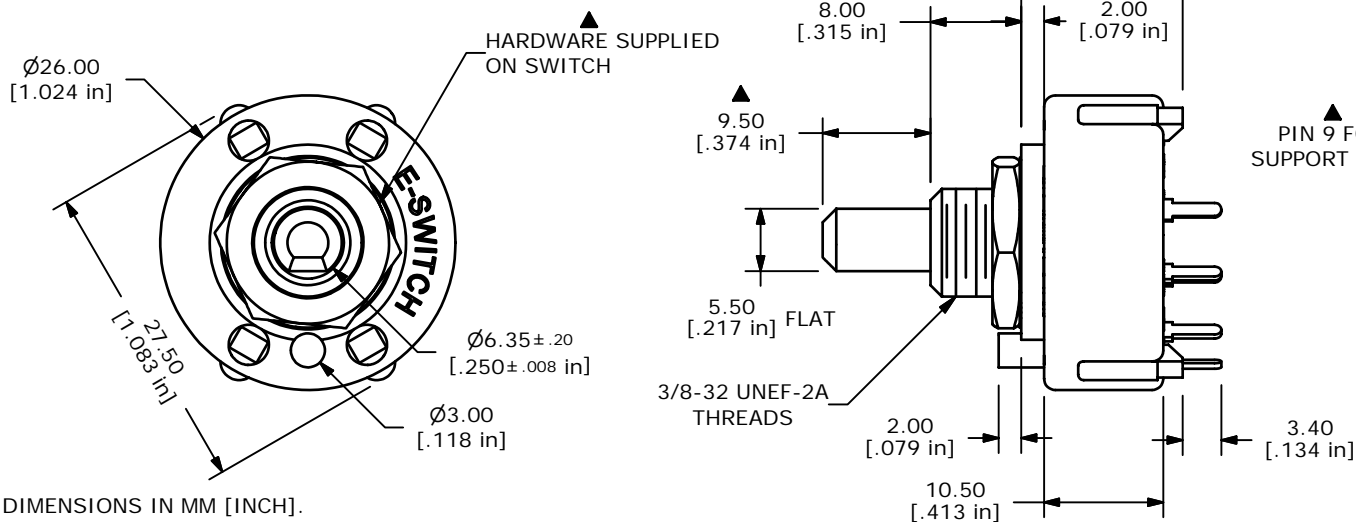


CONTACT CONFIGURATION  
TIMING (BBM) NON-SHORTING



ISOMETRIC



▲ HARDWARE SUPPLIED ON SWITCH

▲ PIN 9 FOR SUPPORT ONLY

- NOTE:
1. ALL DIMENSIONS IN MM [INCH].
  2. GENERAL TOLERANCE: X.X=±0.4  
X.XX=±0.25
  3. TERM. NOS. FOR REFERENCE ONLY.
  - ▲ 4. CONTACT MATERIAL: SILVER
  5. CONTACT RATING: 150MILLIAMP, 250VAC/DC  
350MILLIAMP, 110VAC/DC
  6. CONTACT RATING: (NON-SWITCHING) 5A
  7. OPERATING FORCE 425±100gm-cm
  8. OPERATING TEMP: -30°C TO 85°C
  - ▲ 9. CIRCUIT SP: 3 POSITION 30° INDEX.
  10. DIELECTRIC STRENGTH: 1000VAC FOR 1 MIN.
  11. HARDWARE SUPPLIED ON SWITCH:  
LOCKWASHER, HEXNUT, STOP RING
  12. ▲ DENOTES CRITICAL PARAMETER.
  13. 2002/95/EC (ROHS) COMPLIANT



C	17452	REVISED AND REDRAWN	7/10/07	TN
REV	PCR NO	DESCRIPTION	DATE	BY
THE INFORMATION CONTAINED IN THIS DOCUMENT IS PROPRIETARY TO E-SWITCH AND IS NOT TO BE COPIED OR TRANSFERRED				

TITLE <b>KC13A9.501NPS</b>				
SCALE	DATE	DR	DWG	REV
1.5:1	7/10/2007	TN	G527530	C