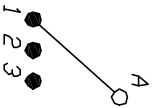
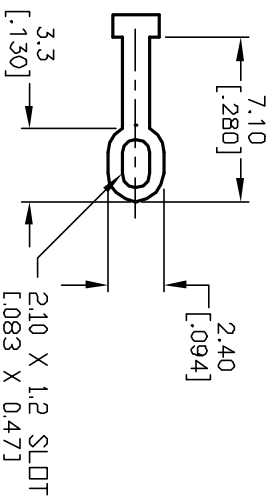
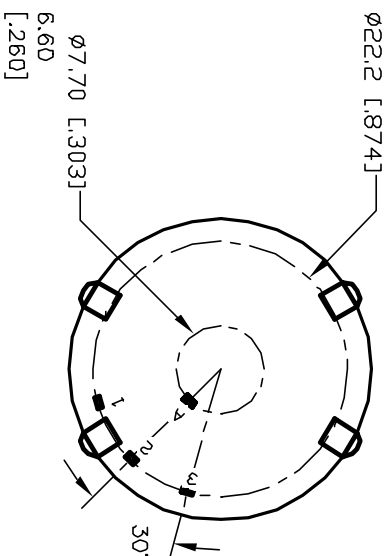
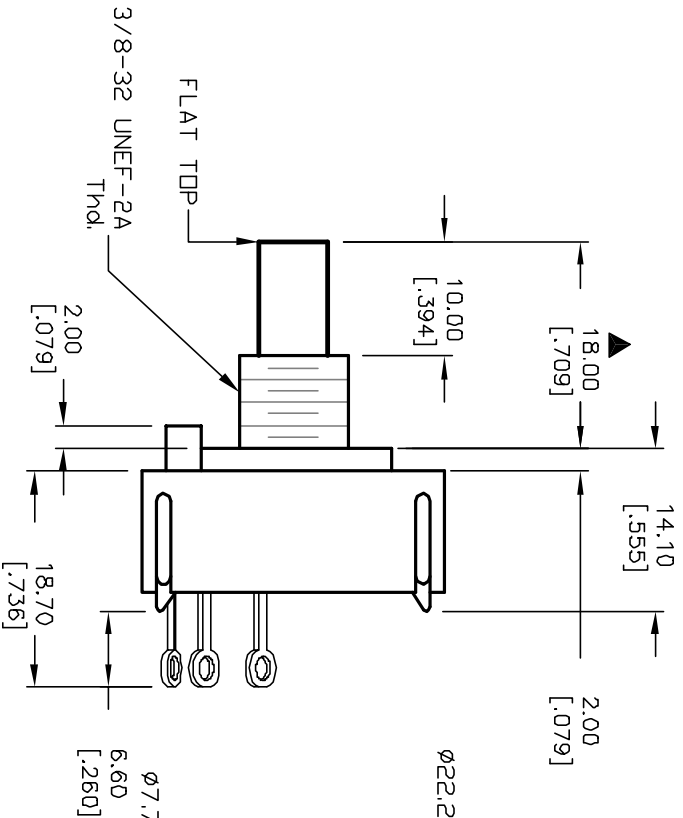
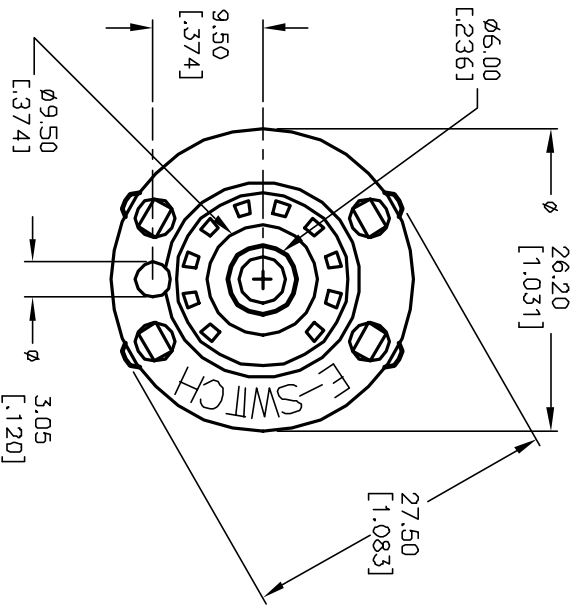


NOTES:

1. ALL DIMENSION IN MM [INCH]
2. GENERAL TOLERANCE: X.X=±0.4
X.XX=±0.25
3. TERM. NOS. FOR REF. ONLY
4. CONTACT RATING SWITCHING: 150mA, 250V AC/DC
350mA, 110V AC/DC
5. CONTACT RATING (NON-SWITCHING) 5A
6. CONTACT MATERIAL: SILVER OVER COPPER ALLOY
7. OPERATING FORCE: 425±100 CM/STANDARD
8. OPERATING TEMP.: -30° to 85°C
9. CIRCUIT SP.: 3 POSITIONS, 30° INDEX
10. DIELECTRIC STRENGTH 1000V RMS min. @ SEA LEVEL
11. DESIGNATE MAJOR DIMENSIONS



CONTACT CONFIGURATION
Timing: Non-Shorting



TERMINATION DETAIL
SCALE 2X

REV. A		12512		RELEASED FOR PRODUCTION		10/28/02		CJB	
REV. ECN No.		DESCRIPTION		DATE		CHKD			
THE INFORMATION CONTAINED IN THIS DOCUMENT IS PROPRIETARY TO E-SWITCH AND IS NOT TO BE COPIED OR TRANSFERRED									
TITLE		KC-13-B-(10.0mm) 01-N-L-S							
SCALE		1.5:1		DATE		10/28/02		DR CJB DWG G510572	
REV		A		DATE		10/28/02		CHKD	

E-SWITCH®