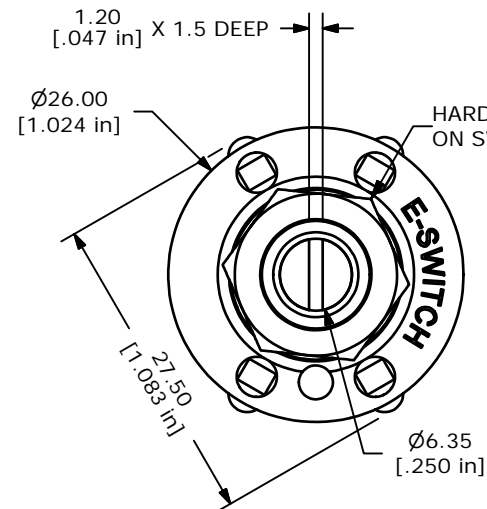
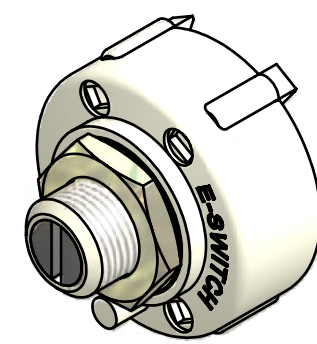
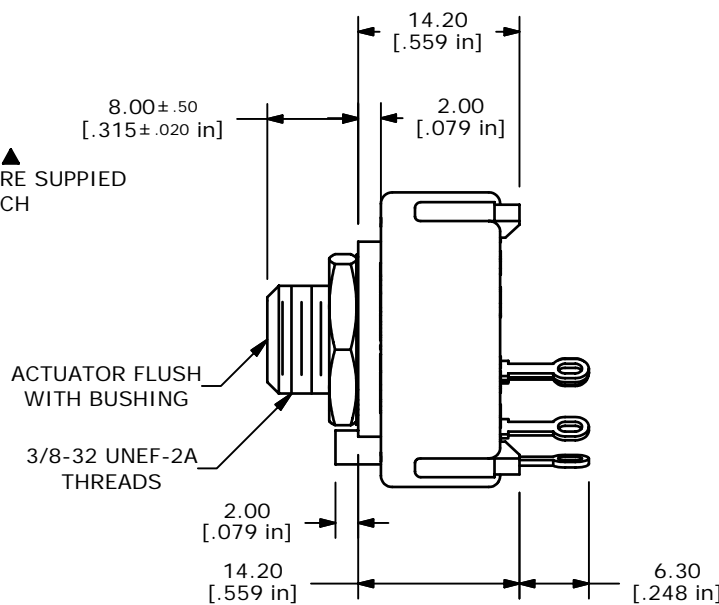


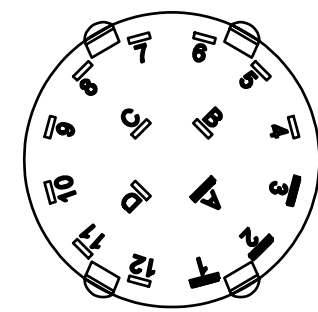
CONTACT CONFIGURATION
TIMING (BBM) NON-SHORTING



▲
HARDWARE SUPPLIED
ON SWITCH



ISOMETRIC



- NOTE:
1. ALL DIMENSIONS IN MM[INCH].
 2. GENERAL TOLERANCE: X.X=±0.4
X.XX=±0.25
 3. TERM. NOS. FOR REFERENCE ONLY.
 4. CONTACT MATERIAL: SILVER
 5. CONTACT RATING: 0.3A @ 125VAC
 6. OPERATING FORCE 425±100CM/STANDARD
 7. OPERATING TEMP: -30°C TO 85°C
 - ▲8. CIRCUIT SP: 3 POSITION 30° INDEX.
 9. DIELECTRIC STRENGTH: 1000V RMS MIN.@ SEA LEVEL.
 - ▲10. HARDWARE SUPPLIED ON SWITCH:
LOCKWASHER, HEXNUT, STOP RING
 11. ▲ DENOTES CRITICAL PARAMETER.
 12. 2002/95/EC (ROHS) COMPLIANT



B	16982	FIXED CONTACT CONFIG. DIAGRAM	2/8/2007	TN
A	16958	RELEASED FOR PRODUCTION	2/8/07	TN
REV	PCR NO	DESCRIPTION	DATE	BY

TITLE KC13D0.001NLS				
SCALE	DATE	DR	DWG	REV
1.5:1	2/8/2007	TN	G527965	B

THE INFORMATION CONTAINED IN THIS DOCUMENT IS PROPRIETARY TO E-SWITCH AND IS NOT TO BE COPIED OR TRANSFERRED