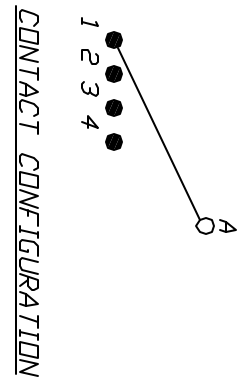
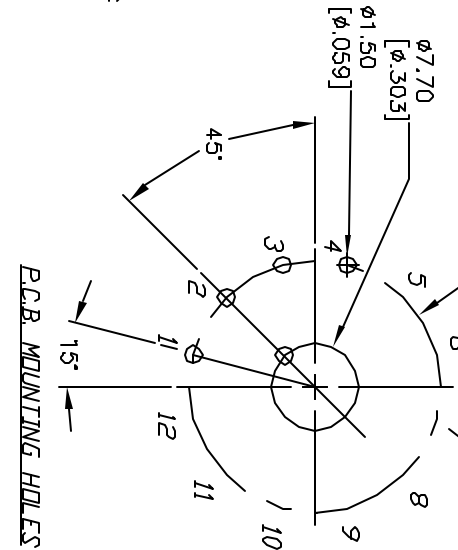


- NOTES:
1. ALL DIMENSION IN MM [INCH]
  2. GENERAL TOLERANCE: X.X=±0.4  
X.XX=±0.25
  3. TERM. NOS. FOR REF. ONLY
  4. CONTACT RATING SWITCHING: 150mA, 250V AC/DC  
350mA, 110V AC/DC
  5. CONTACT RATING (NON-SWITCHING) 5A
  6. OPERATING FORCE: 425±100 CM/STANDARD
  7. OPERATING TEMP: -30° to 85°C
  8. CIRCUIT SP: 4 POSITIONS, 30° INDEX.
  9. DIELECTRIC STRENGTH 1000V RMS min. @ SEA LEVEL
  10. ▲ DENOTES CRITICAL PARAMETER
  11. HARDWARE SUPPLIED ON SWITCH  
STOP RING, LOCKWASHER & HEX NUT



**E-SWITCH®**

KC14A13.001NLS

REV.	ECN No.	DESCRIPTION	DATE	CHKD
B	13286	CORRECT NOTE 8, ADD TERM 9	7/14/03	AR
A	13277	RELEASED FOR PRODUCTION	7/10/03	AR

SCALE	DATE	DR	DWG	REV
1.5:1	7/10/03	AR	G510888	B

THE INFORMATION CONTAINED IN THIS DOCUMENT IS PROPRIETARY TO E-SWITCH AND IS NOT TO BE COPIED OR TRANSFERRED