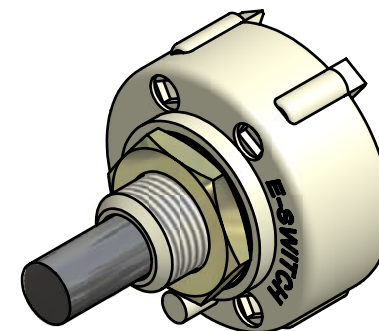
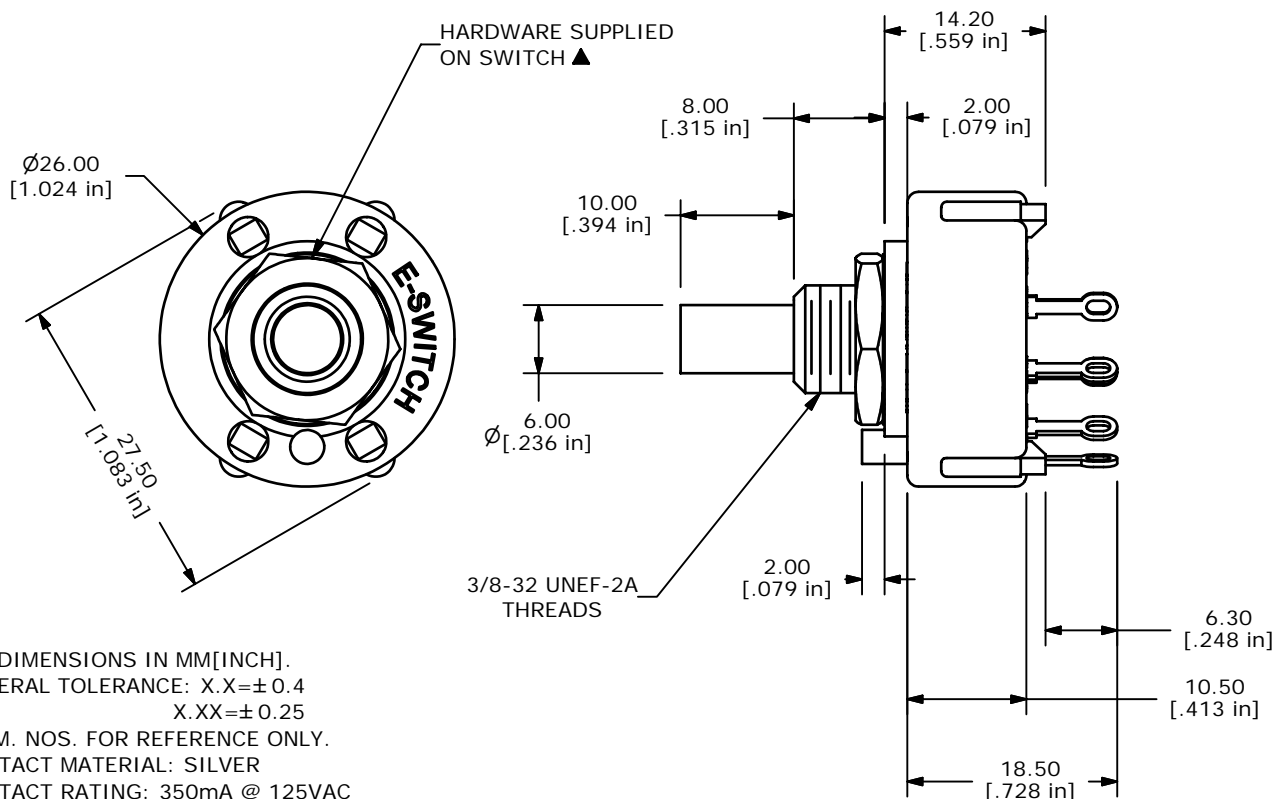
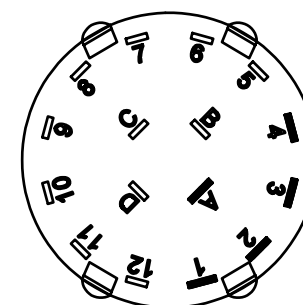


CONTACT CONFIGURATION  
TIMING (BBM) NON-SHORTING



ISOMETRIC



- NOTE:
1. ALL DIMENSIONS IN MM[INCH].
  2. GENERAL TOLERANCE: X.X=±0.4  
X.XX=±0.25
  3. TERM. NOS. FOR REFERENCE ONLY.
  4. CONTACT MATERIAL: SILVER
  5. CONTACT RATING: 350mA @ 125VAC
  6. OPERATING FORCE: 500±200 gm-cm
  7. OPERATING TEMP: -30°C TO 85°C
  - ▲ 8. CIRCUIT SP: 4 POSITION 30° INDEX.
  9. DIELECTRIC STRENGTH: 500VAC FOR 1 MIN.
  - ▲ 10. HARDWARE SUPPLIED ON SWITCH:  
LOCKWASHER, HEXNUT, STOP RING
  11. ▲ DENOTES CRITICAL PARAMETER.

**E-SWITCH®**

TITLE KC14B10.001NLS

A	15255	RELEASED FOR PRODUCTION	9/12/05	PH
REV	PCR NO	DESCRIPTION	DATE	BY

THE INFORMATION CONTAINED IN THIS DOCUMENT IS PROPRIETARY TO E-SWITCH AND IS NOT TO BE COPIED OR TRANSFERRED

SCALE	DATE	DR	DWG	REV
1.5:1	9/12/2005	PH	G527964	A