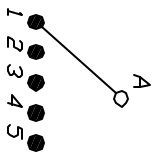
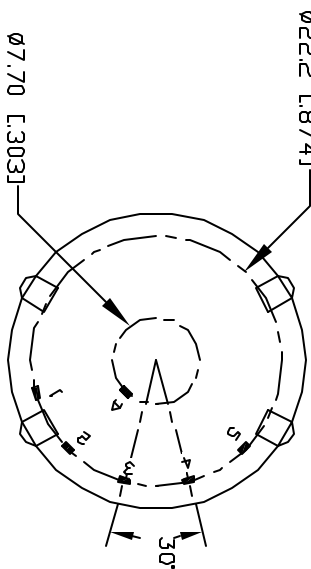
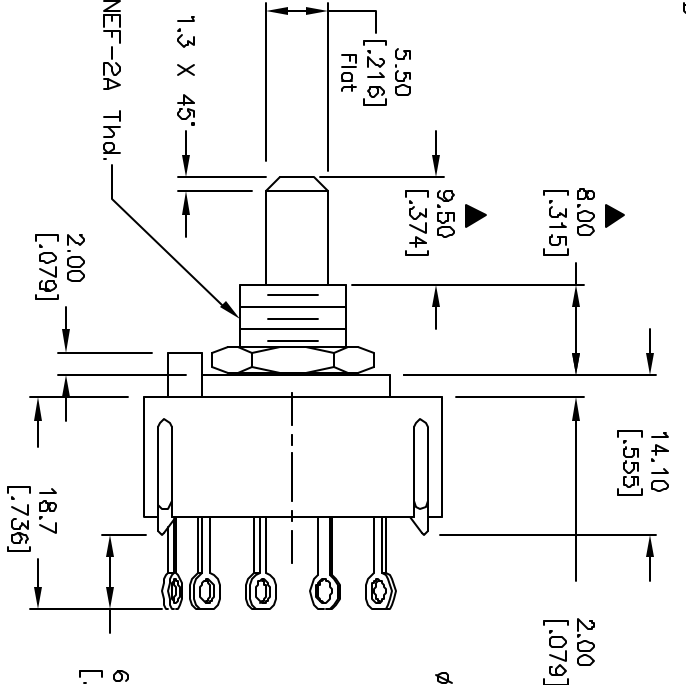
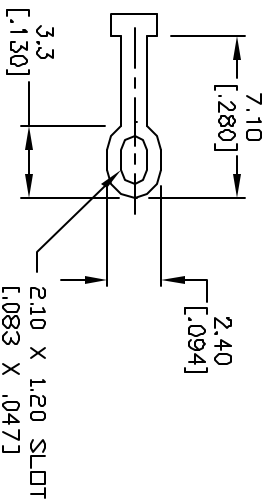


▲ **HARDWARE SUPPLIED**
ON SWITCH



CONTACT CONFIGURATION
TIMING: SHORTING (MBB)



TERMINATION DETAIL
SCALE 2X

- NOTES:
1. ALL DIMENSION IN MM [INCH]
 2. GENERAL TOLERANCE: X.X=±0.4 X:XX=±0.25
 3. TERM. NOS. FOR REF. ONLY
 4. CONTACT RATING SWITCHING: 150mA, 250V AC/DC 350mA, 110V AC/DC
 5. CONTACT RATING (NON-SWITCHING) 5A
 6. CONTACT MATERIAL: SILVER over COPPER ALLOY.
 7. OPERATING FORCE: 42±100 CM/STANDARD
 8. OPERATING TEMP: -30° to 85°C
 9. CIRCUIT SP: 5 POSITIONS, 30° INDEX.
 10. DIELECTRIC STRENGTH 1000V RMS min. @ SEA LEVEL
 11. ▲ DENOTES CRITICAL PARAMETER.
 12. HARDWARE SUPPLIED ON SWITCH - SEE BELOW STOPRING, LOCKWASHER, & HEXNUT

REV.	ECN No.	DESCRIPTION	DATE	CHKD
A	13306	RELEASED FOR PRODUCTION	7/21/03	AR

TITLE	SCALE	DATE	DR	DWG	REV
KC15A9.501SLS	1.5:1	7/21/03	AR	G527543	A

E-SWITCH®

THE INFORMATION CONTAINED IN THIS DOCUMENT IS PROPRIETARY TO E-SWITCH AND IS NOT TO BE COPIED OR TRANSFERRED