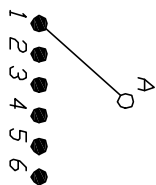
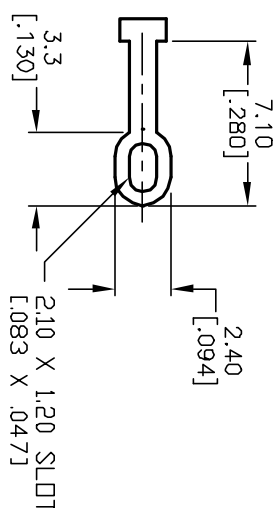


NOTES:

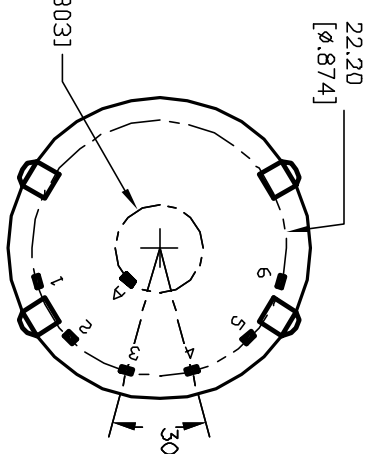
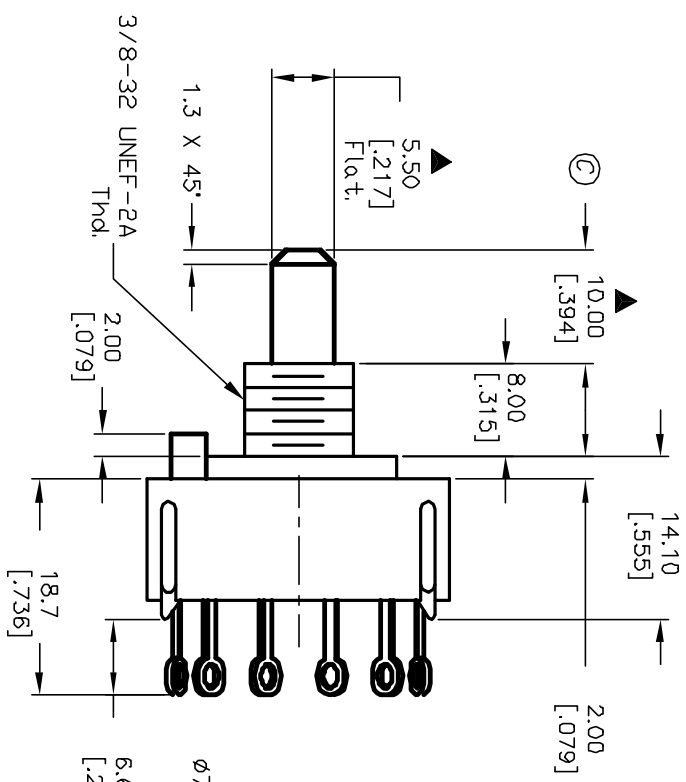
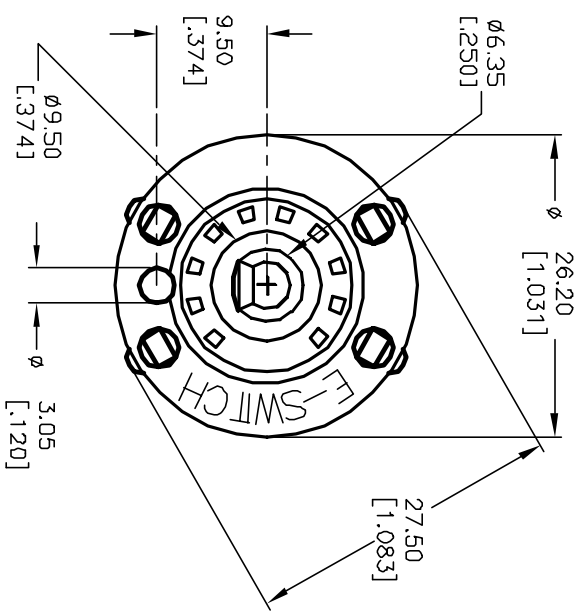
1. ALL DIMENSION IN MM [INCH]
2. GENERAL TOLERANCE: X.X=±0.4
X.XX=±0.25
3. TERM. NOS. FOR REF. ONLY
4. CONTACT RATING SWITCHING: 150mA, 250V AC/DC
350mA, 110V AC/DC
5. CONTACT RATING (NON SWITCHING): 5A
6. OPERATING FORCE: 425±100 CM/STANDARD
7. OPERATING TEMP: -30° to 85°C
8. CIRCUIT SP: 6 POSITIONS, 30° INDEX.
9. DIELECTRIC STRENGTH: 1000V RMS min. @Sea Level
10. DESIGNATE MAJOR DIMENSIONS
11. LOCK NUT AND WASHER NOT SHOWN.



CONTACT CONFIGURATION
Timing: Shorting (MBB)



TERMINATION DETAIL
SCALE 2X



C	12222	REVISED DESC. PER CATALOG	7/3/02	CJB
B	11515	REVISED ACTUATOR	5/29/01	CJB
REV.	ECN No.	DESCRIPTION	DATE	CHKD

TITLE		SCALE	DATE	DR	DWG	REV
KC-16-A-(10.0) 01-S-L-S		1.5:1	5/29/01	CJB	G510705	C

E-SWITCH®

THE INFORMATION CONTAINED IN THIS DOCUMENT IS PROPRIETARY TO E-SWITCH AND IS NOT TO BE COPIED OR TRANSFERRED