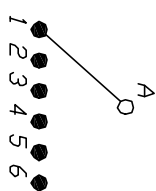
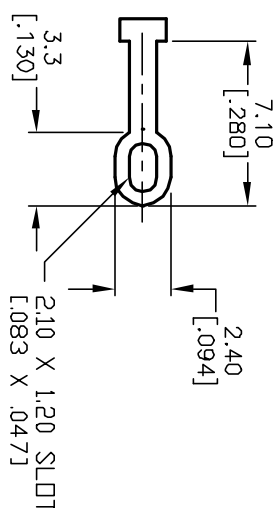


NOTES:

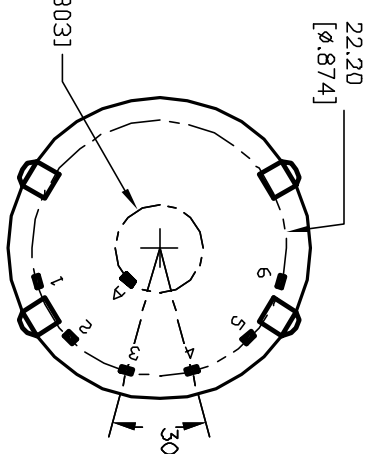
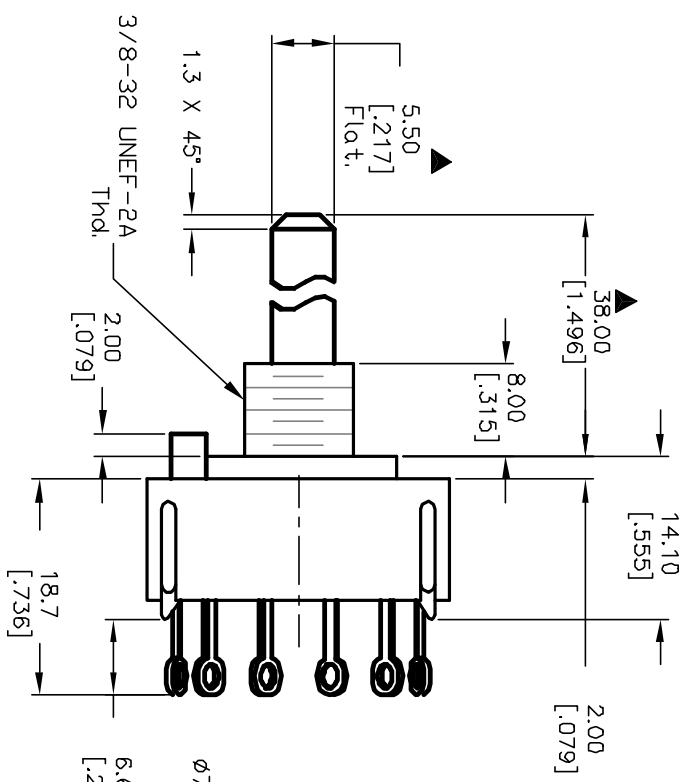
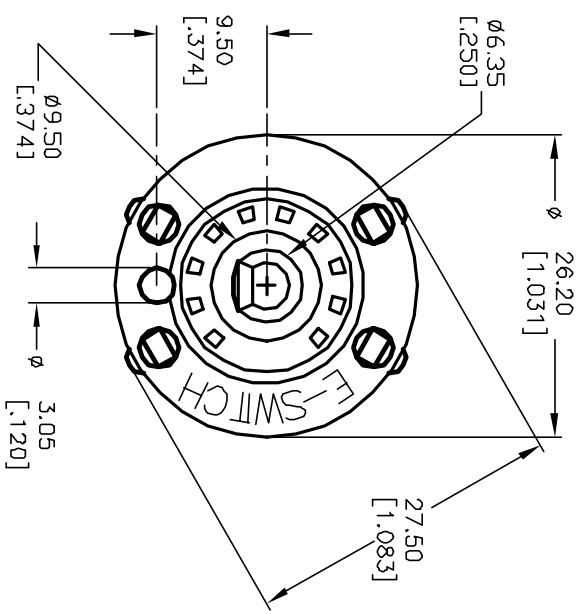
1. ALL DIMENSION IN MM [INCH]
2. GENERAL TOLERANCE: X.X=±0.4  
X.XX=±0.25
3. TERM. NOS. FOR REF. ONLY
4. CONTACT RATING SWITCHING: 150mA, 250V AC/DC  
350mA, 110V AC/DC
5. CONTACT RATING (NON SWITCHING): 5A
6. OPERATING FORCE: 425±100 CM/STANDARD
7. OPERATING TEMP: -30° to 85°C
8. CIRCUIT SP: 6 POSITIONS, 30° INDEX.
9. DIELECTRIC STRENGTH: 1000V RMS min. @Sea Level
10. DESIGNATE MAJOR DIMENSIONS
11. SUPPLIED HARDWARE: LOCK NUT AND WASHER (NOT SHOWN).



CONTACT CONFIGURATION  
Timing: Non-Shorting (BBM)



TERMINATION DETAIL  
SCALE 2X



|  |  |             |  |                            |  |         |  |     |  |
|--|--|-------------|--|----------------------------|--|---------|--|-----|--|
| REV. B   |  | 12615       |  | REVISIED DESC. PER CATALOG |  | 12/5/02 |  | CJB |  |
| REV. ECN No.   |  | DESCRIPTION |  | DATE                       |  | CHKD    |  |     |  |
| THE INFORMATION CONTAINED IN THIS DOCUMENT IS PROPRIETARY TO E-SWITCH AND IS NOT TO BE COPIED OR TRANSFERRED |  |             |  |                            |  |         |  |     |  |
| TITLE  |  |             |  | KC-16-A-(30.0mm) 01-N-L-S  |  |         |  |     |  |
| SCALE  |  |             |  | 1.5:1                      |  |         |  |     |  |
| DATE   |  |             |  | 5/29/01                    |  |         |  |     |  |
| DR   |  |             |  | CJB                        |  |         |  |     |  |
| DWG  |  |             |  | G510706                    |  |         |  |     |  |
| REV  |  |             |  | B                          |  |         |  |     |  |

**E-SWITCH®**