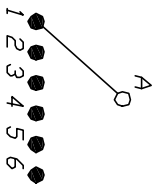
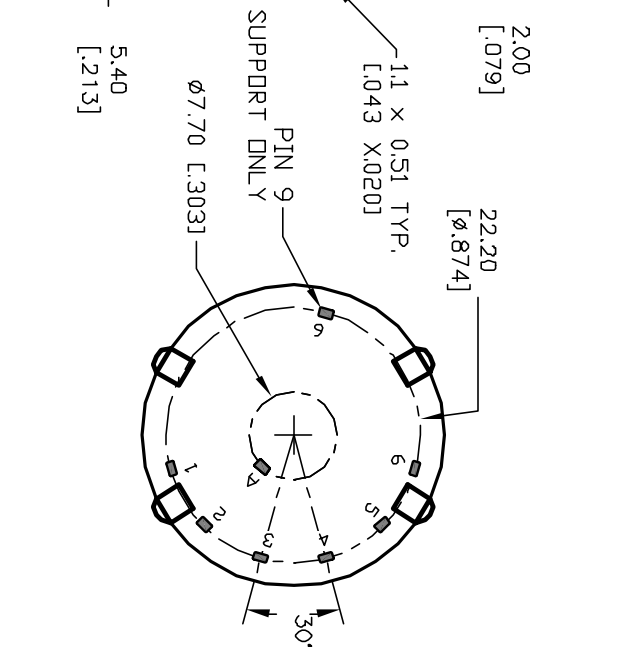
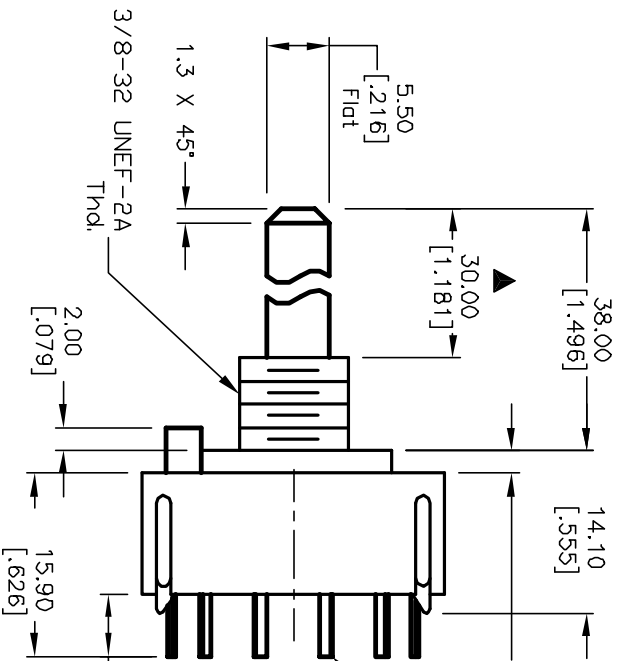
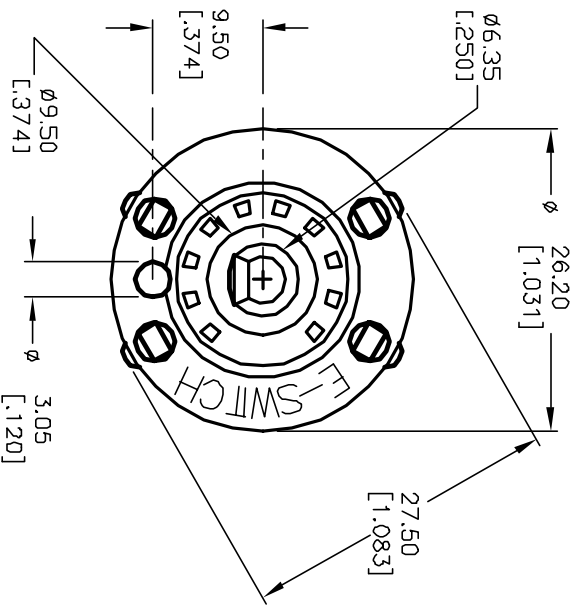
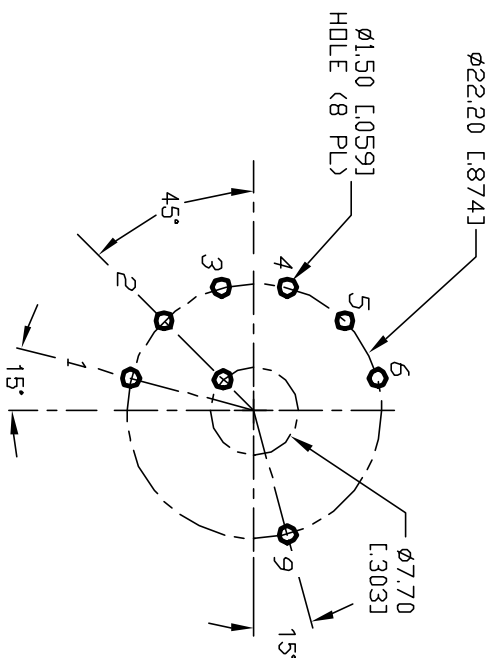


- NOTES:
1. ALL DIMENSION IN MM [INCH]
  2. GENERAL TOLERANCE: X.X=±0.4  
X.XXX=±0.25
  3. TERM. NOS. FOR REF. ONLY
  4. CONTACT RATING SWITCHING: 150mA, 250V AC/DC  
350mA, 110V AC/DC
  5. CONTACT RATING (NON-SWITCHING): 5A
  6. OPERATING FORCE: 425±100 CM/STANDARD
  7. CONTACT MATERIAL: SILVER OVER COPPER ALLOY
  8. OPERATING TEMP: -30° to 85°C
  9. CIRCUIT SP: 6 POSITIONS, 30° INDEX.
  10. DIELECTRIC STRENGTH: 1000V RMS min. @SEA LEVEL.
  11. DESIGNATE MAJOR DIMENSIONS
  12. STOP RING, LOCK NUT AND WASHER NOT SHOWN.



CONTACT CONFIGURATION  
Timing (BBM) non shorting



C	12222	REVISED DESGR PER CATALOG	7/3/02	CJB	TITLE	SCALE	DATE	DR	DWG	REV
B	11516	REVISED	8/8/01	CJB	KC-16-A-(30.0mm) 01-N-P-S	1.5:1	8/8/01	CJB	G510707	C
REV.	ECN No.	DESCRIPTION	DATE	CHKD						
THE INFORMATION CONTAINED IN THIS DOCUMENT IS PROPRIETARY TO E-SWITCH AND IS NOT TO BE COPIED OR TRANSFERRED										

**E-SWITCH®**