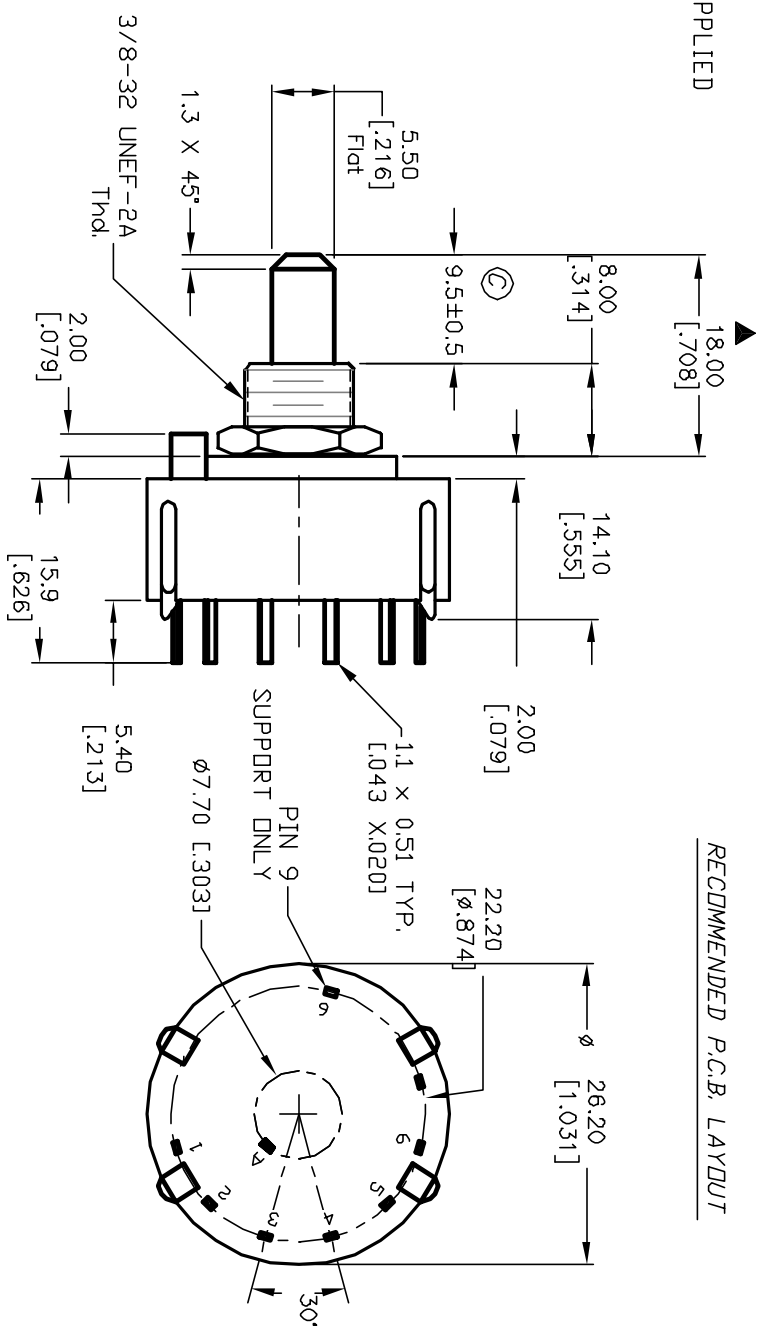
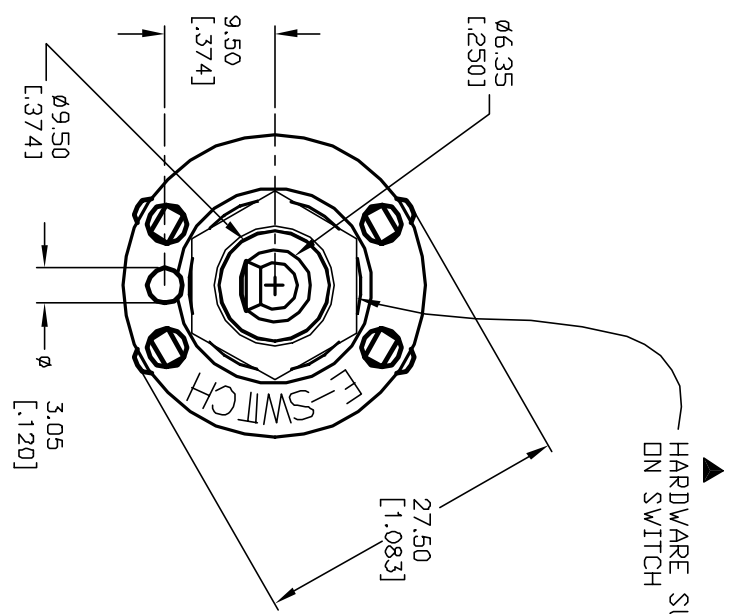
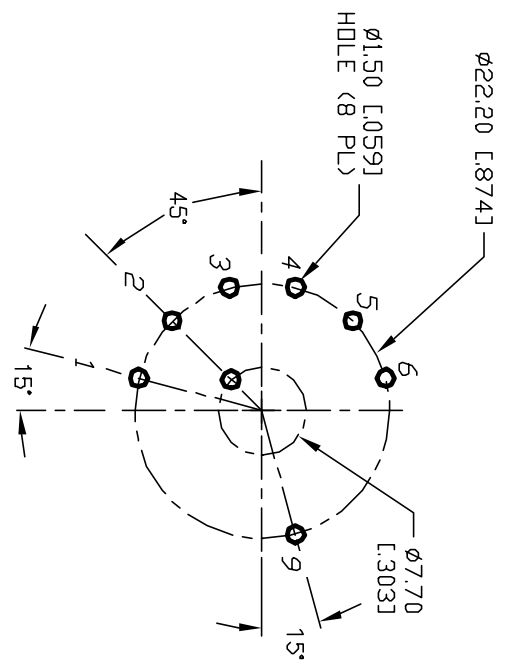
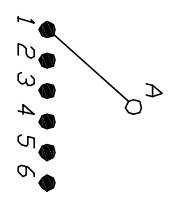


- NOTES:
1. ALL DIMENSION IN MM [INCH]
 2. GENERAL TOLERANCE: X.X=±0.4
X.XXX=±0.25
 3. TERM. NOS. FOR REF. ONLY
 4. CONTACT RATING SWITCHING: 150mA, 250V AC/DC
350mA, 110V AC/DC
 5. CONTACT RATING (NON-SWITCHING): 5A
 6. OPERATING FORCE: 425±100 CM/STANDARD
 7. CONTACT MATERIAL: SILVER OVER COPPER ALLOY
 8. OPERATING TEMP: -30° to 85°C
 9. CIRCUIT SP: 6 POSITIONS, 30° INDEX.
 10. DIELECTRIC STRENGTH: 1000V RMS min. @SEA LEVEL.
 11. DESIGNATE MAJOR DIMENSIONS
 12. HARDWARE SUPPLIED ON SWITCH - SEE BELOW
STOP RING, LOCKWASHER, & HEXNUT



C	12821	REVISED	2/27/03	CJB	TITLE			SCALE	DATE	DR	DWG	REV
B	12668	REV DESC/ PER CATALOG	12/26/02	CJB	KC-16-A (9.5mm)-01-N-P-S			1.5:1	8/8/01	CJB	G510708	C
A	12068	RELEASED FOR PRODUCTION	4/15/02	CJB								
REV.	ECN No.	DESCRIPTION	DATE	CHKD								
THE INFORMATION CONTAINED IN THIS DOCUMENT IS PROPRIETARY TO E-SWITCH AND IS NOT TO BE COPIED OR TRANSFERRED												

E-SWITCH®