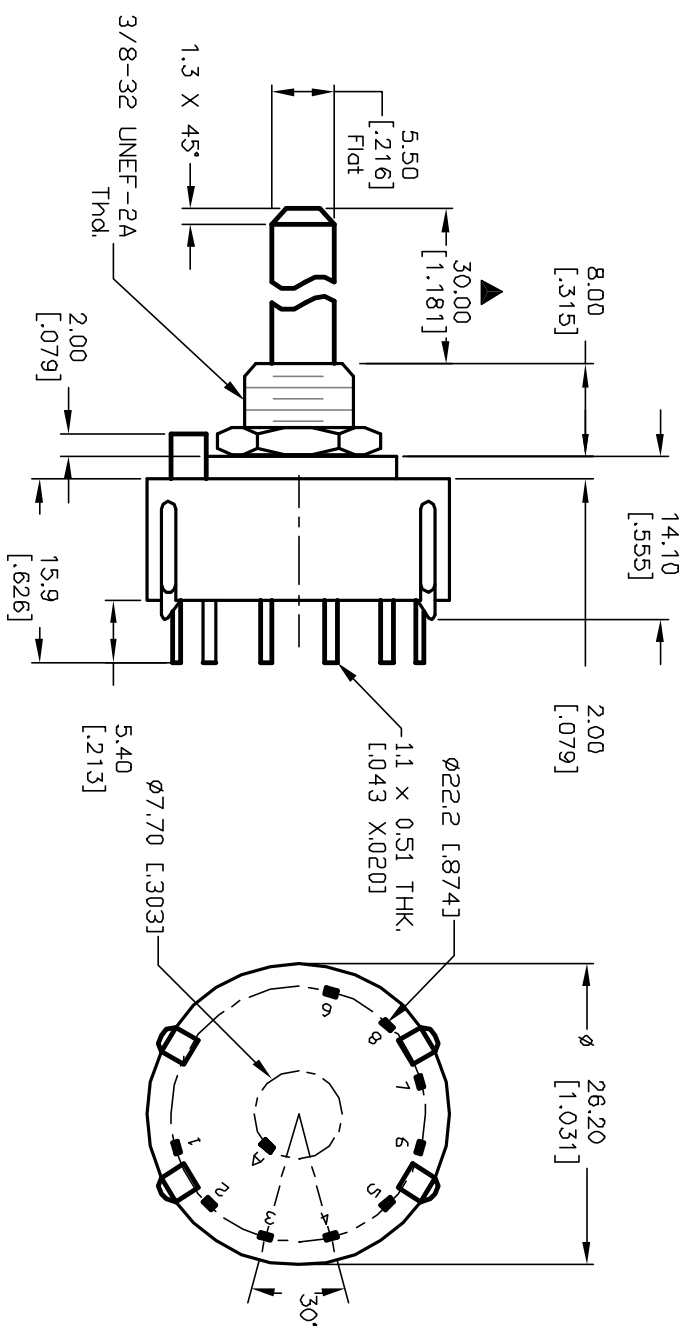
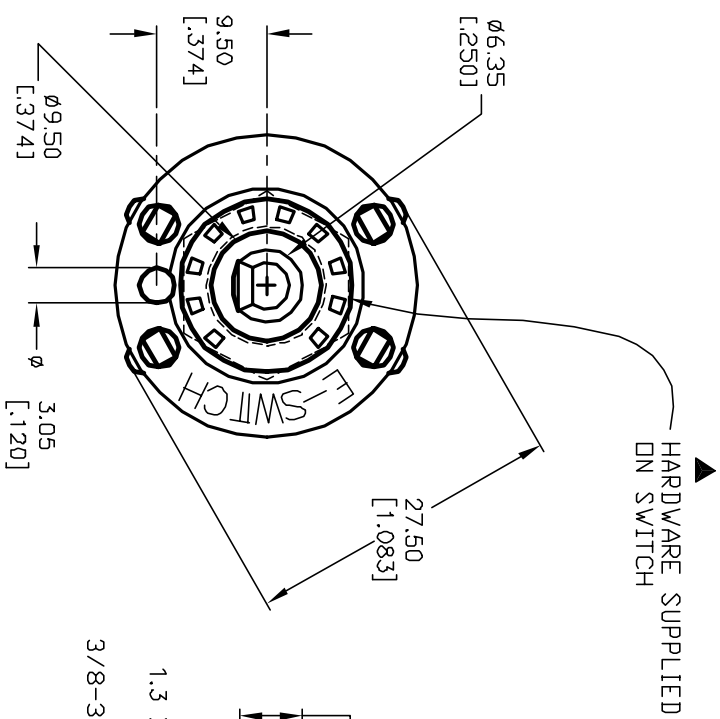
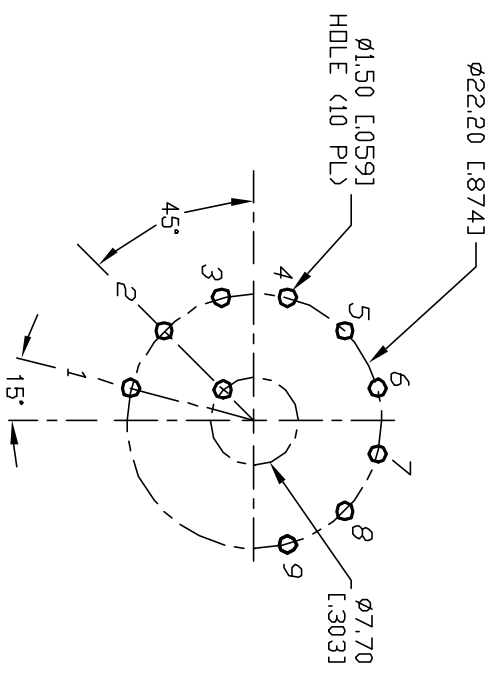
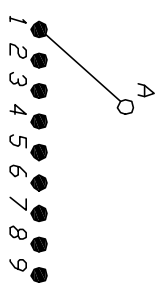


NOTES:

1. ALL DIMENSION IN MM [INCH]
2. GENERAL TOLERANCE: X.X=±0.4  
X.XX=±0.25
3. TERM. NOS. FOR REF. ONLY
4. CONTACT RATING SWITCHING: 150mA, 250V AC/DC  
350mA, 110V AC/DC
5. CONTACT RATING (NON-SWITCHING) 5A
6. CONTACT MATERIAL:  
STANDARD SILVER over COPPER ALLOY
7. OPERATING FORCE: 425±100 CM/STANDARD
8. OPERATING TEMP: -30° to 85°C
9. CIRCUIT SP: 12 POSITIONS, 30° INDEX, NO STOPS
10. DIELECTRIC STRENGTH 1000V RMS min. @ SEA LEVEL
11. DESIGNATE MAJOR DIMENSIONS
12. HARDWARE SUPPLIED ON SWITCH - SEE BELOW  
STOP RING, LOCKWASHER, & LOCKRING

CONTACT CONFIGURATION  
Timing: NON-SHORTING (BBM)



B		12871	REV DESC/ PER NEW CATALOG	3/4/03	CJB	TITLE	
A		12064	RELEASED FOR PRODUCTION	4/15/02	CJB	KC-19-A (30.0mm)-01-N-P-S	
REV.	ECN No.		DESCRIPTION	DATE	CHKD	SCALE	DATE
						1.5:1	4/15/02
						DR	CJB
						DWG	G510100
						REV	B

THE INFORMATION CONTAINED IN THIS DOCUMENT IS PROPRIETARY TO E-SWITCH AND IS NOT TO BE COPIED OR TRANSFERRED

**E-SWITCH®**