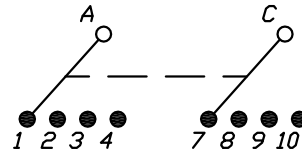
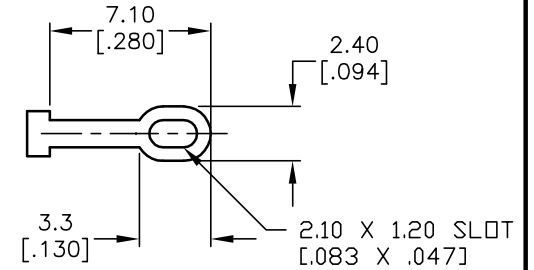


NOTES:

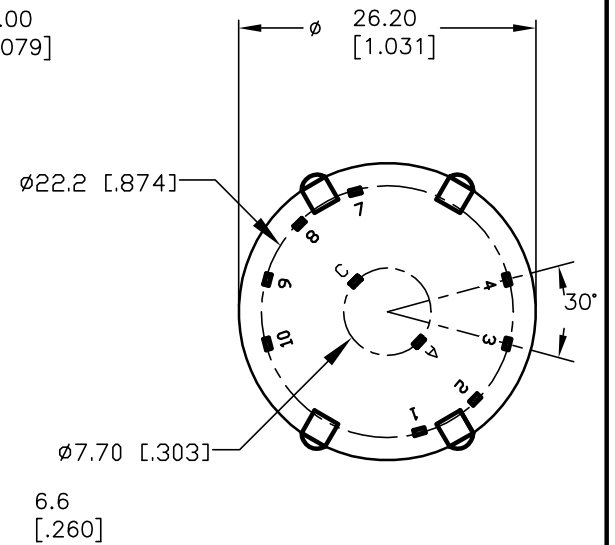
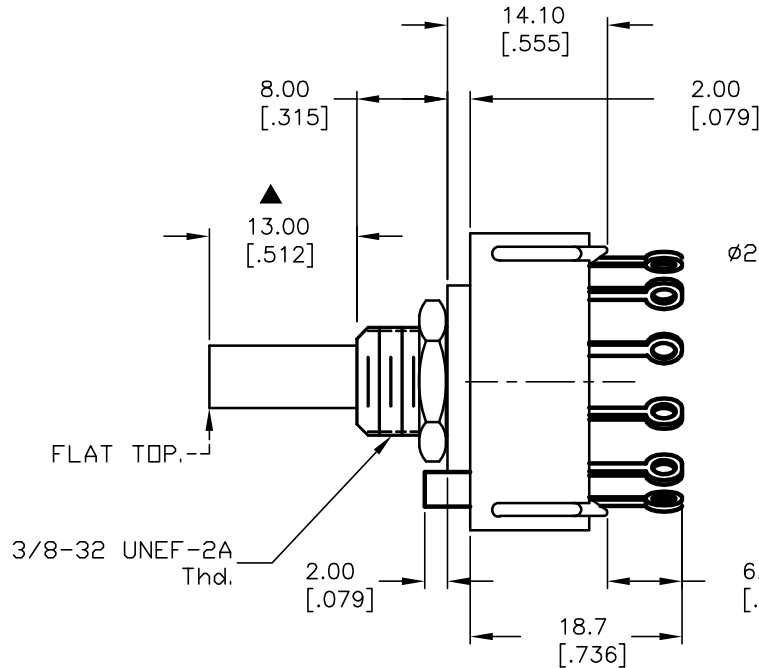
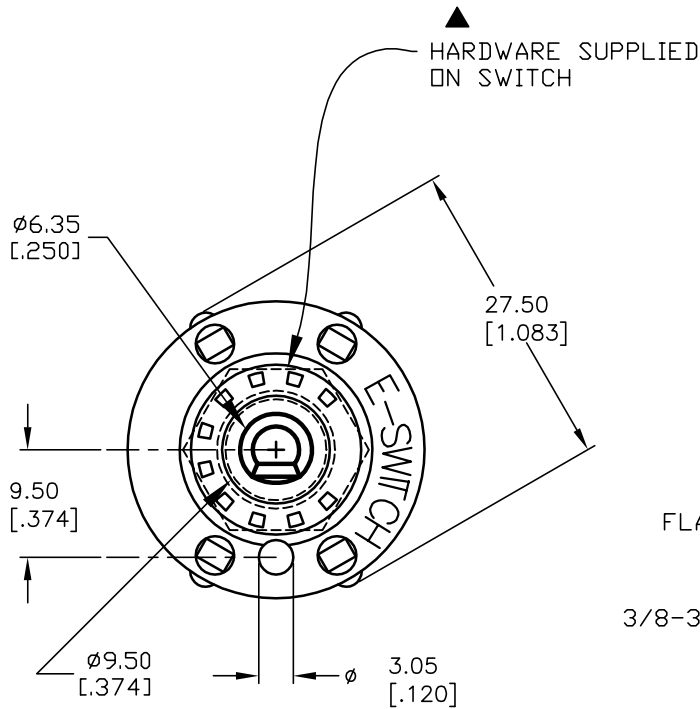
1. ALL DIMENSION IN MM [INCH]
2. GENERAL TOLERANCE: X.X=±0.4  
X.XX=±0.25
3. TERM. NOS. FOR REF. ONLY
4. CONTACT RATING SWITCHING: 150mA, 250V AC/DC  
350mA, 110V AC/DC
5. CONTACT RATING (NON-SWITCHING) 5A
6. CONTACT MATERIAL: SILVER OVER COPPER ALLOY
7. OPERATING FORCE: 425±100 CM/STANDARD
8. OPERATING TEMP: -30° to 85°C
- ▲ 9. CIRCUIT DP: 4 POSITIONS, 30° INDEX.
10. DIELECTRIC STRENGTH 1000V RMS min.© SEA LEVEL
- ▲ 11. DESIGNATE MAJOR DIMENSIONS
- ▲ 12. HARDWARE SUPPLIED ON SWITCH—SEE BELOW  
STOPRING, LOCKWASHER, & HEXNUT



CONTACT CONFIGURATION  
Timing: Non-Shorting



TERMINATION DETAIL  
SCALE 2X



**E-SWITCH®**

TITLE					KC24A13.001NLS				
SCALE	DATE	DR	DWG	REV					
1.5:1	2/5/04	AR	G510908	A					

A	13754	RELEASED FOR PRODUCTION	2/5/04	AR
REV.	ECN No.	DESCRIPTION	DATE	CHKD

THE INFORMATION CONTAINED IN THIS DOCUMENT IS PROPRIETARY TO E-SWITCH AND IS NOT TO BE COPIED OR TRANSFERRED