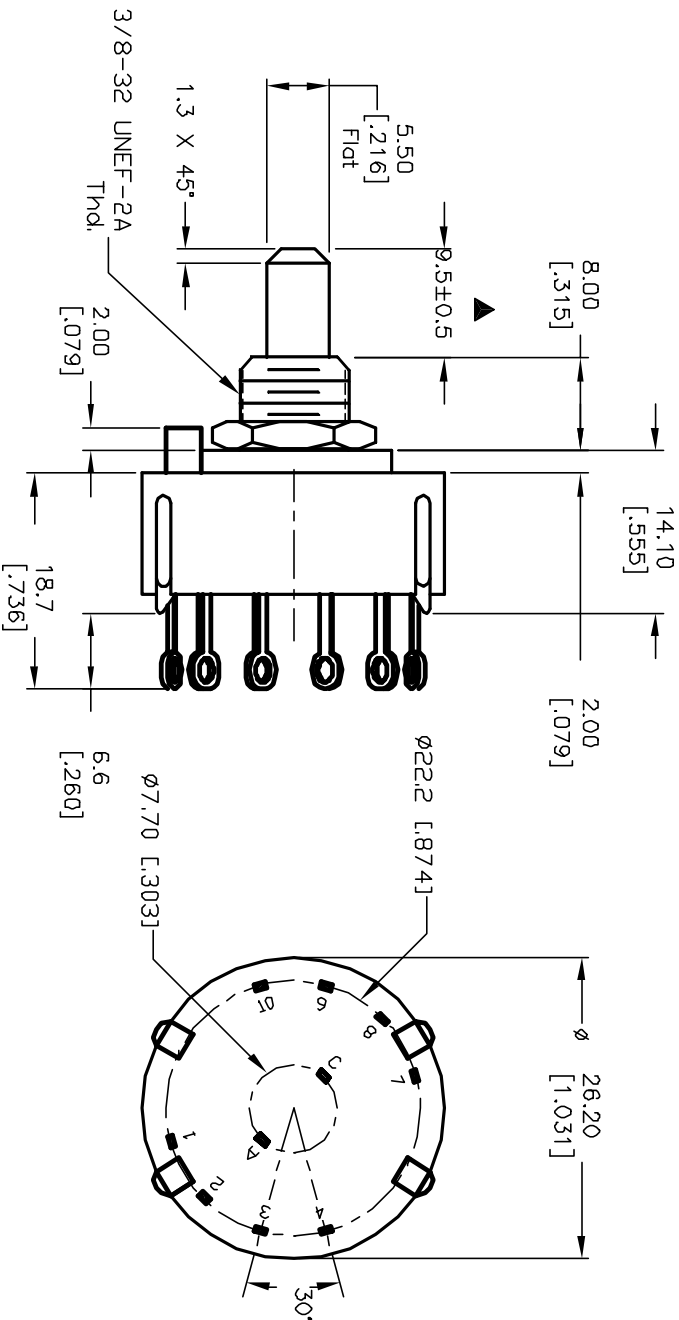
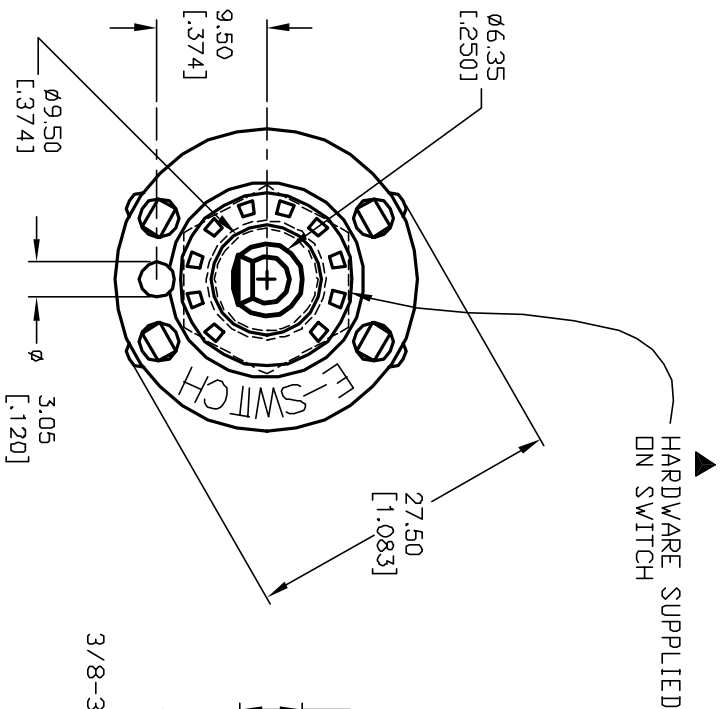
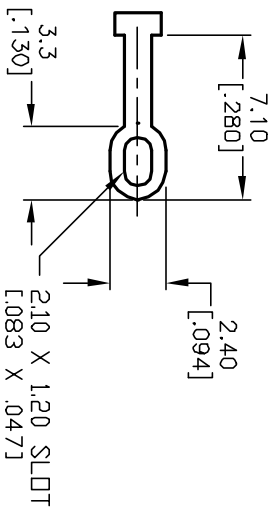
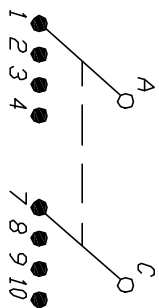


NOTES:

- ALL DIMENSION IN MM [INCH]
- GENERAL TOLERANCE:  $X.X = \pm 0.4$   
 $X.XX = \pm 0.25$
- TERM. NOS. FOR REF. ONLY
- CONTACT RATING SWITCHING: 150mA, 250V AC/DC  
350mA, 110V AC/DC
- CONTACT RATING (NON-SWITCHING) 5A
- CONTACT MATERIAL: SILVER OVER COPPER ALLOY
- OPERATING FORCE:  $425 \pm 100$  CM/STANDARD
- OPERATING TEMP:  $-30^\circ$  to  $85^\circ$ C
- CIRCUIT DP: 4 POSITIONS,  $30^\circ$  INDEX.
- DIELECTRIC STRENGTH 1000V RMS min. @ SEA LEVEL
- DESIGNATE MAJOR DIMENSIONS
- HARDWARE SUPPLIED ON SWITCH - SEE BELOW  
STOPRING, LOCKWASHER, & HEXNUT



C	12821	REVISED NOTE 12	3/5/03	CJB	TITLE			SCALE	DATE	DR	DWG	REV
B	12579	REV DESC PER NEW CATALOG	11/19/02	CJB	KC-24A (9.5mm) 01-S-L-S			1.5:1	5/15/01	CJB	G510897	C
A	11499	RELEASED FOR PRODUCTION	5/15/01	CJB								
REV.	ECN No.	DESCRIPTION	DATE	CHKD								
THE INFORMATION CONTAINED IN THIS DOCUMENT IS PROPRIETARY TO E-SWITCH AND IS NOT TO BE COPIED OR TRANSFERRED												

**E-SWITCH**<sup>®</sup>