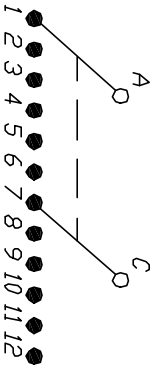
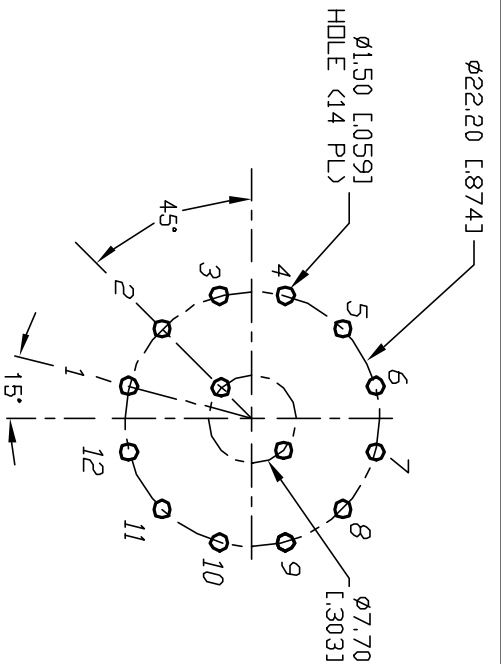


NOTES:

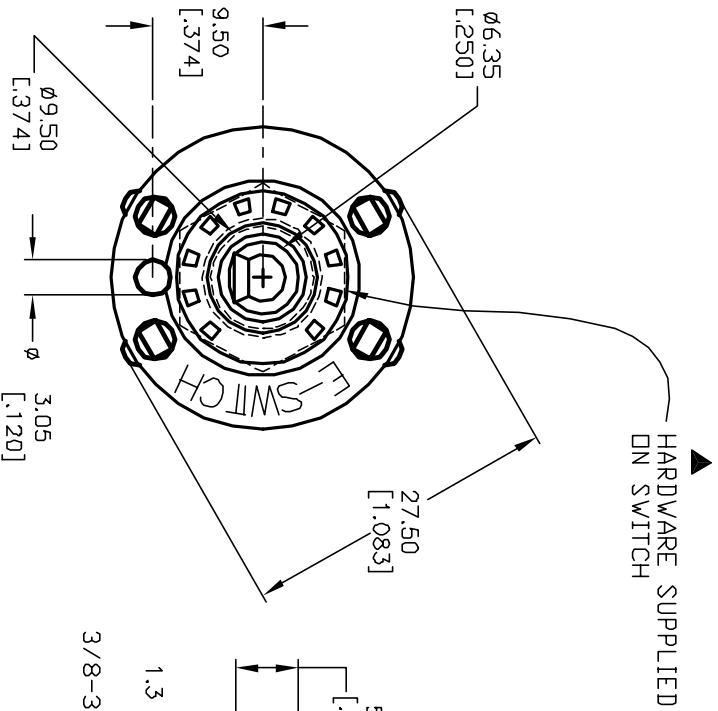
1. ALL DIMENSION IN MM [INCH]
2. GENERAL TOLERANCE: X.X=±0.4  
X.XX=±0.25
3. TERM. NOS. FOR REF. ONLY
4. CONTACT RATING SWITCHING: 150mA, 250V AC/DC  
350mA, 110V AC/DC
5. OPERATING FORCE: 425±100 CM/STANDARD
6. CONTACT MATERIAL: GOLD FLASH (AU FLASH OVER  
1 MICRON AG OVER 2 Micron Ni)
7. OPERATING TEMP.: -30° to 85°C
8. CIRCUIT DP: 6 POSITIONS, 30° INDEX.
9. DESIGNATE MAJOR DIMENSIONS
10. HARDWARE SUPPLIED ON SWITCH - SEE BELOW  
STOPRING, LOCKWASHER, & HEXNUT



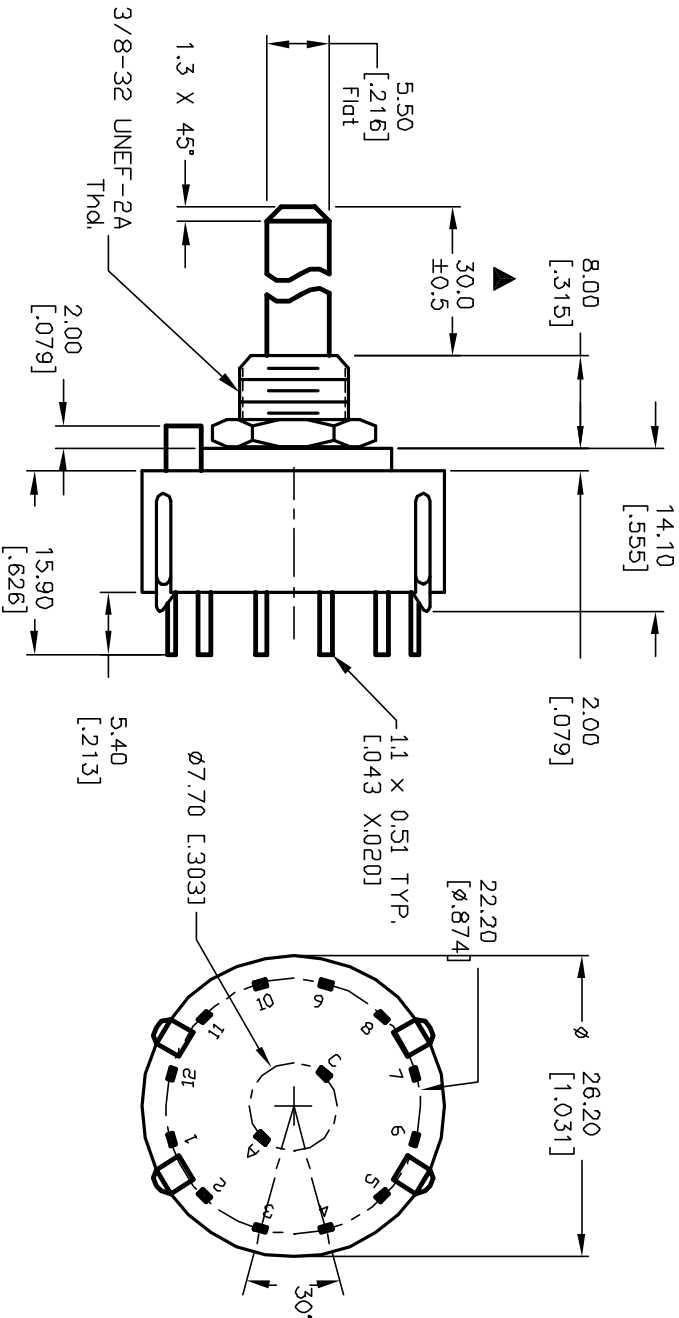
CONTACT CONFIGURATION  
Timing: NON-SHORTING



RECOMMENDED P.C.B. LAYOUT



HARDWARE SUPPLIED  
ON SWITCH



**E-SWITCH®**

B	12821	REV DESC/ NEW CATALOG	3/5/03	CJB
A	11276	RELEASED FOR PRODUCTION	3/2/01	CJB
REV.	ECN No.	DESCRIPTION	DATE	CHKD

TITLE	SCALE	DATE	DR	DWG	REV
KC-26-A-(30.0mm)01-N-P-F	1.5:1	3/2/01	CJB	G510449	B

THE INFORMATION CONTAINED IN THIS DOCUMENT IS PROPRIETARY TO E-SWITCH AND IS NOT TO BE COPIED OR TRANSFERRED