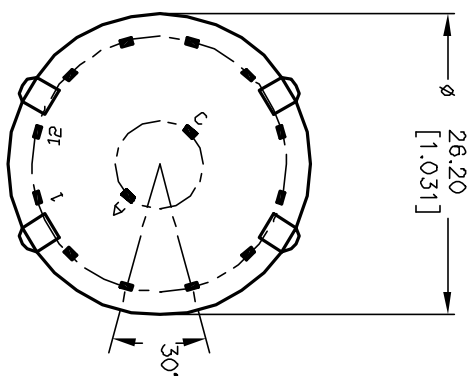
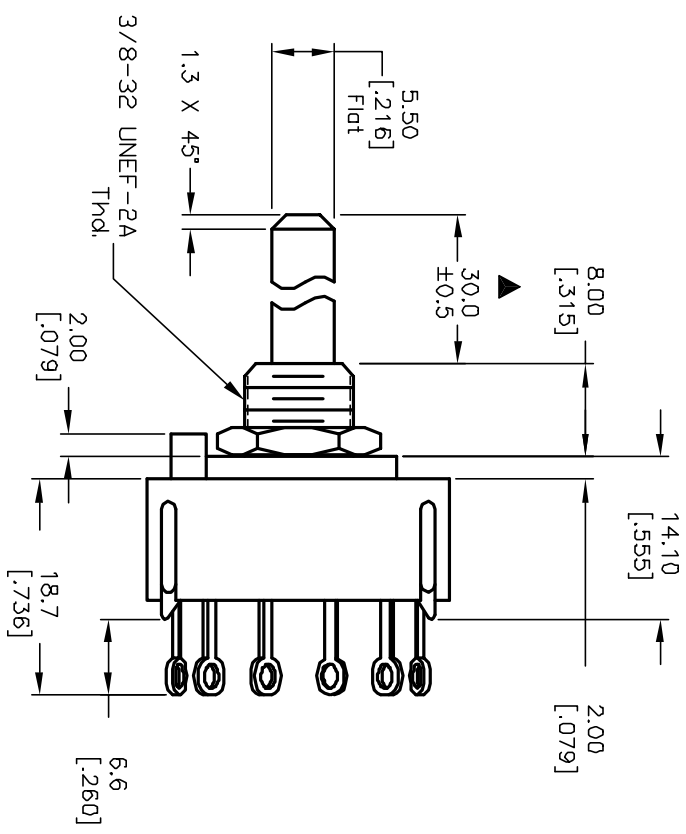
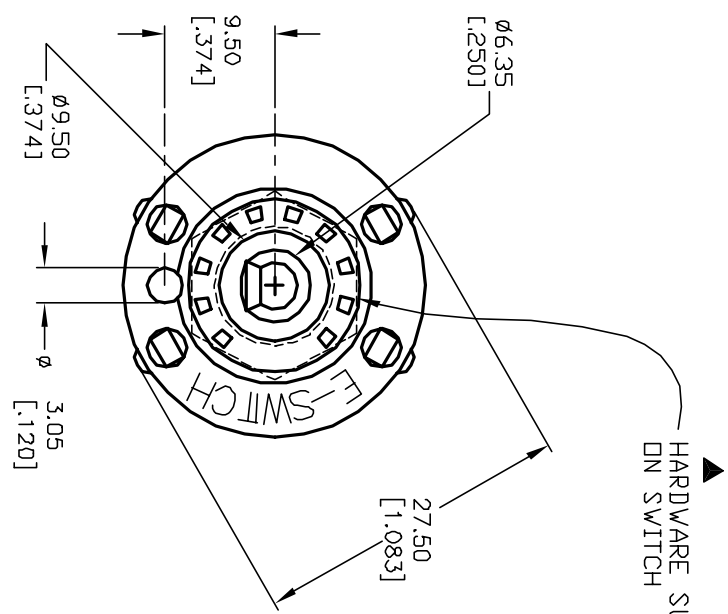
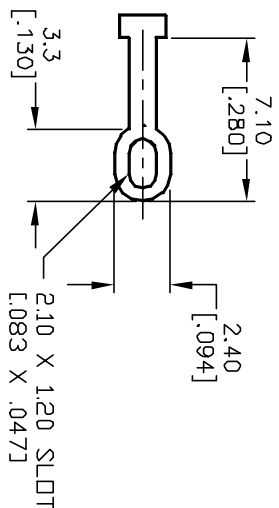
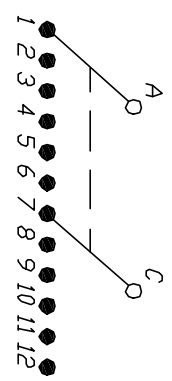


NOTES:

1. ALL DIMENSION IN MM [INCH]
2. GENERAL TOLERANCE: X.X=±0.4  
X.XX=±0.25
3. TERM. NOS. FOR REF. ONLY
4. CONTACT RATING SWITCHING: 150mA, 250V AC/DC  
350mA, 110V AC/DC
5. CONTACT RATING (NON-SWITCHING) 5A
6. OPERATING FORCE: 425±100 CM/STANDARD
7. OPERATING TEMP: -30° to 85°C
- ▲ 8. CIRCUIT DP: 6 POSITIONS, 30° INDEX.
- ▲ 9. DIELECTRIC STRENGTH 1000V RMS min. @ SEA LEVEL
- ▲ 10. DESIGNATE MAJOR DIMENSIONS
- ▲ 11. HARDWARE SUPPLIED ON SWITCH - SEE BELOW  
STOPPING, LOCKWASHER, & HEXNUT
13. ▲ DENOTES CRITICAL PARAMETER.



REV. A		12959		RELEASED FOR PRODUCTION		3/25/03		AR													
REV.		ECN No.		DESCRIPTION		DATE		CHKD													
THE INFORMATION CONTAINED IN THIS DOCUMENT IS PROPRIETARY TO E-SWITCH AND IS NOT TO BE COPIED OR TRANSFERRED																					
TITLE				KCC26A30.001SLS																	
SCALE				1.5:1		DATE		3/25/03		DR		AR		DWG		G510551		REV		A	

**E-SWITCH®**