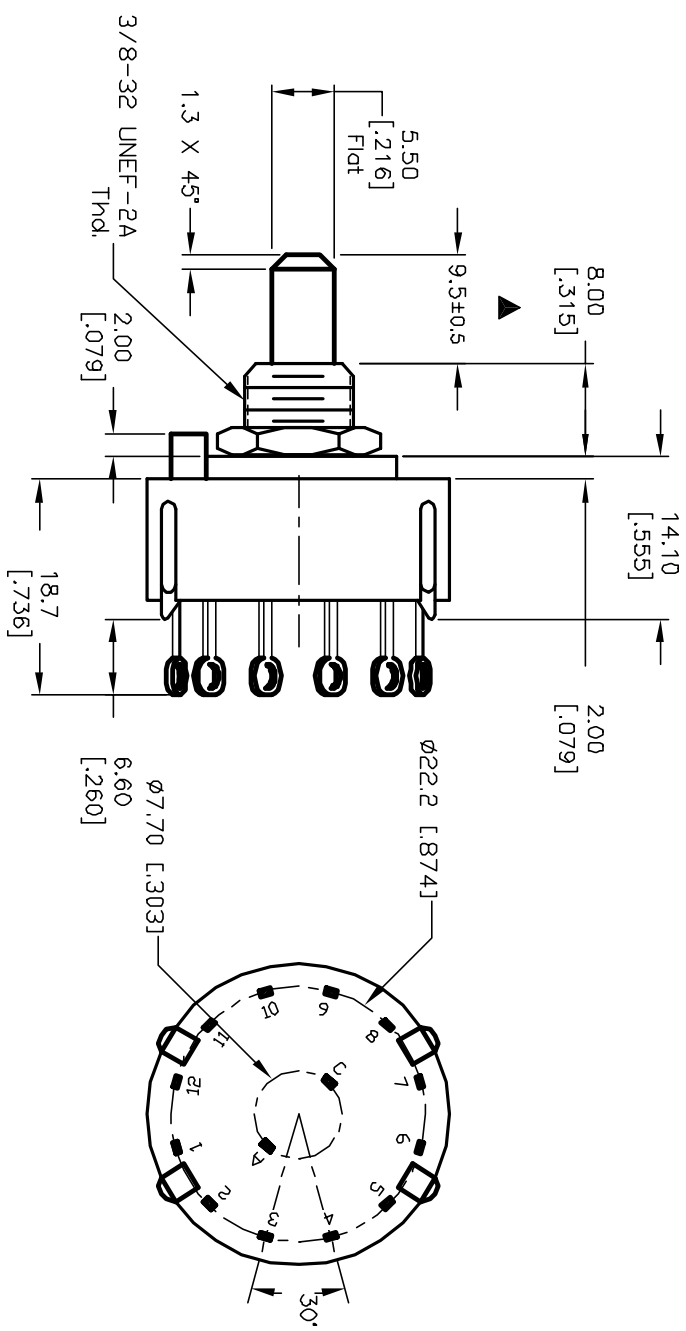
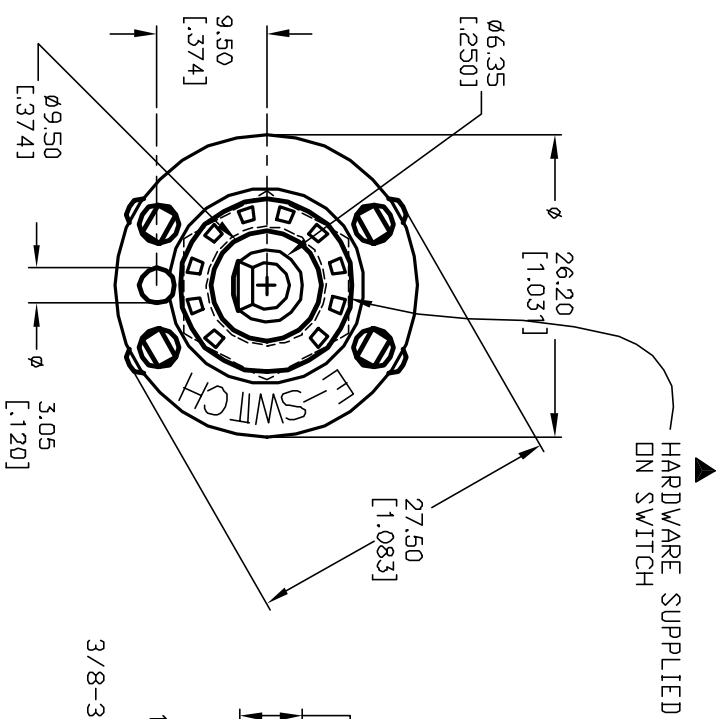
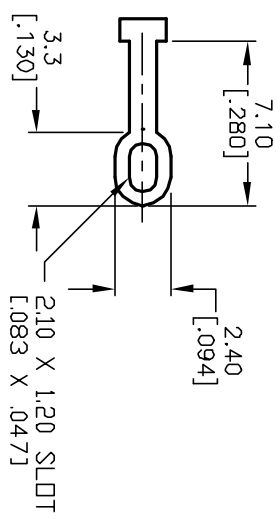
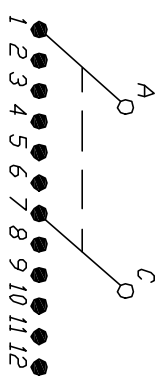


- NOTES:
1. ALL DIMENSION IN MM [INCH]
 2. GENERAL TOLERANCE: X.X=±0.4
X.XX=±0.25
 3. TERM. NOS. FOR REF. ONLY
 4. CONTACT RATING SWITCHING: 150mA, 250V AC/DC
350mA, 110V AC/DC
 5. CONTACT MATERIAL: SILVER PLATING OVER COPPER ALLOY
 6. OPERATING FORCE: 425±100 CM/STANDARD
 7. OPERATING TEMP: -30° to 85°C
 8. CIRCUIT DP: 6 POSITIONS, 30° INDEX.
 9. DIELECTRIC STRENGTH: 1000V RMS min.@Sea Level
 10. DESIGNATE MAJOR DIMENSIONS
 11. HARDWARE SUPPLIED ON SWITCH— SEE BELOW
STOPRING, LOCKWASHER, & HEXNUT.



REVISED NOTE 11		3/6/03	CJB	TITLE		KC-26-A (9.5mm) 01-N-L-S	
RELEASED FOR PRODUCTION		3/27/02	CJB	SCALE		1.5:1	
DESCRIPTION		DATE	CHKD	DATE		3/27/02	
REV.	ECN No.			DR	DWG	REV	
				CJB	G523729	B	

THE INFORMATION CONTAINED IN THIS DOCUMENT IS PROPRIETARY TO E-SWITCH AND IS NOT TO BE COPIED OR TRANSFERRED

E-SWITCH®