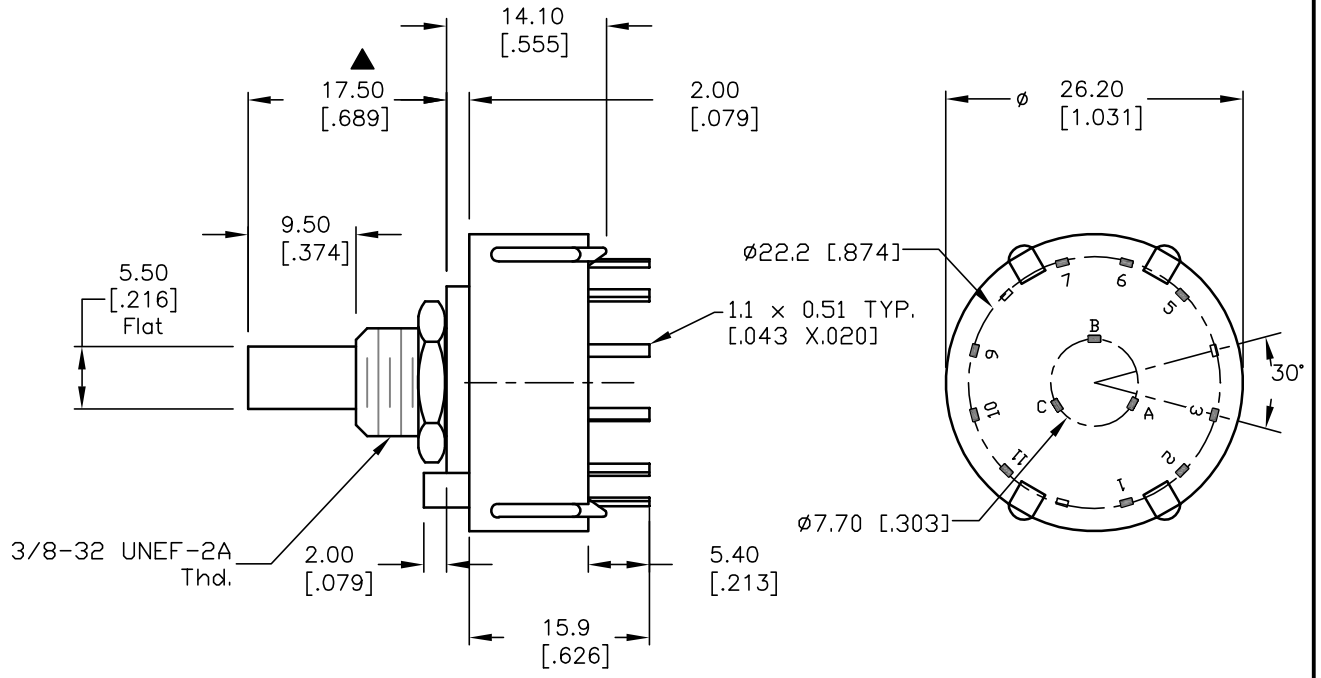
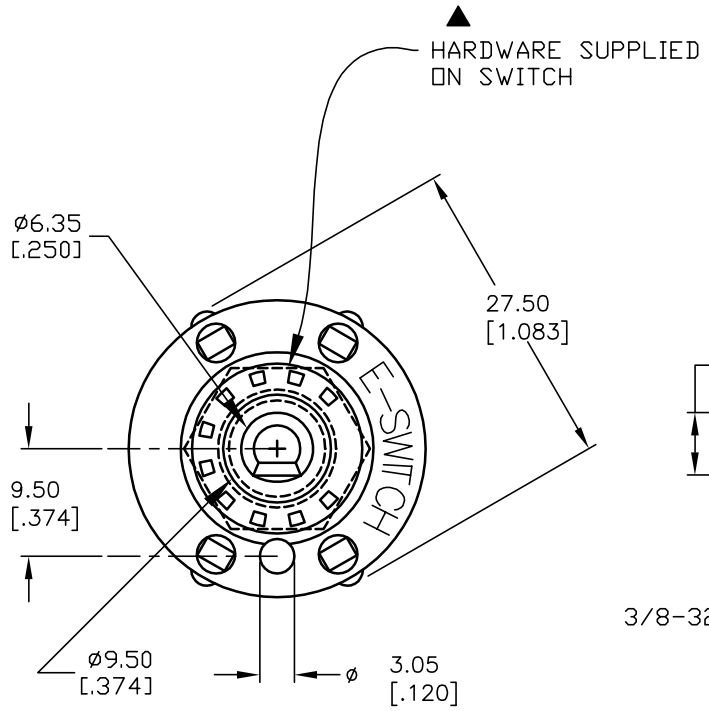
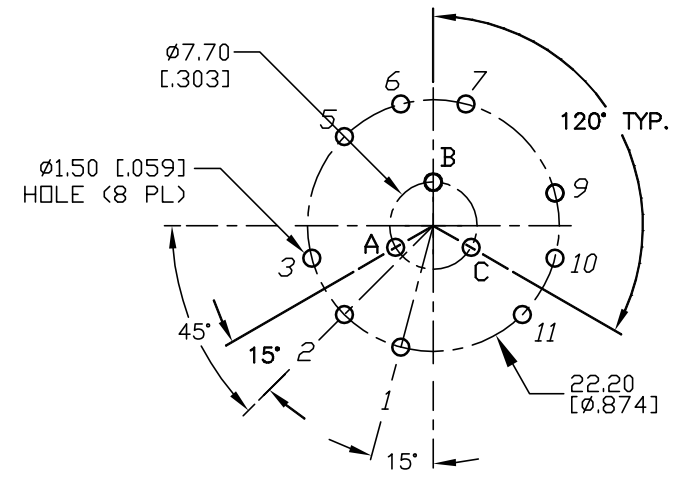
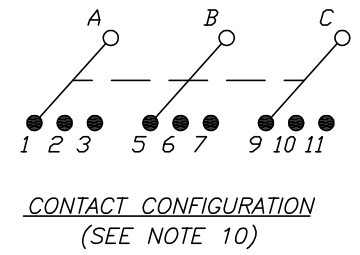


NOTES:

1. ALL DIMENSION IN MM [INCH]
2. GENERAL TOLERANCE: X.X=±0.4
X.XX=±0.25
3. TERM. NOS. FOR REF. ONLY.
4. CONTACT RATING SWITCHING: 150mA, 250V AC/DC
350mA, 110V AC/DC
5. CONTACT RATING (NON-SWITCHING) 5A
6. CONTACT MATERIAL: SILVER OVER COPPER ALLOY
7. OPERATING FORCE: 425±100 CM/STANDARD
8. OPERATING TEMP: -30° to 85°C
- ▲ 9. CIRCUIT 3P: 3 POSITIONS, 30° INDEX. (B)
10. TIMING: BBM (Non-Shorting) Break Before Make
11. DIELECTRIC STRENGTH 1000V RMS min. @ SEA LEVEL
12. ▲ DENOTES CRITICAL PARAMETER
- ▲ 13. HARDWARE SUPPLIED ON SWITCH- SEE BELOW
STOPRING, LOCKWASHER, & HEXNUT



E-SWITCH®

| | | | | |
|------|---------|-------------------------|--------|------|
| B | 12430 | CORRECT NOTE 9 | 9/5/03 | AR |
| A | 13420 | RELEASED FOR PRODUCTION | 9/3/03 | AR |
| REV. | ECN No. | DESCRIPTION | DATE | CHKD |

| | | | | |
|---------------|--------|----|---------|-----|
| TITLE | | | | |
| KC33A9.501NPS | | | | |
| SCALE | DATE | DR | DWG | REV |
| 1.5:1 | 9/3/03 | AR | G510259 | B |

THE INFORMATION CONTAINED IN THIS DOCUMENT
IS PROPRIETARY TO E-SWITCH AND IS
NOT TO BE COPIED OR TRANSFERRED