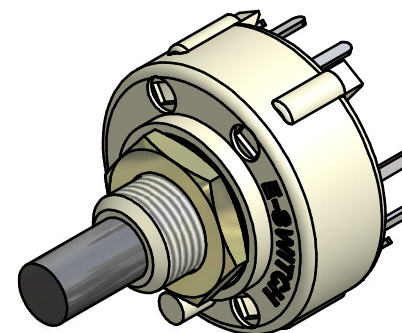
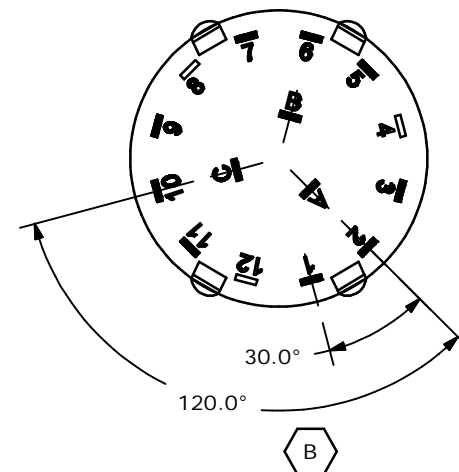
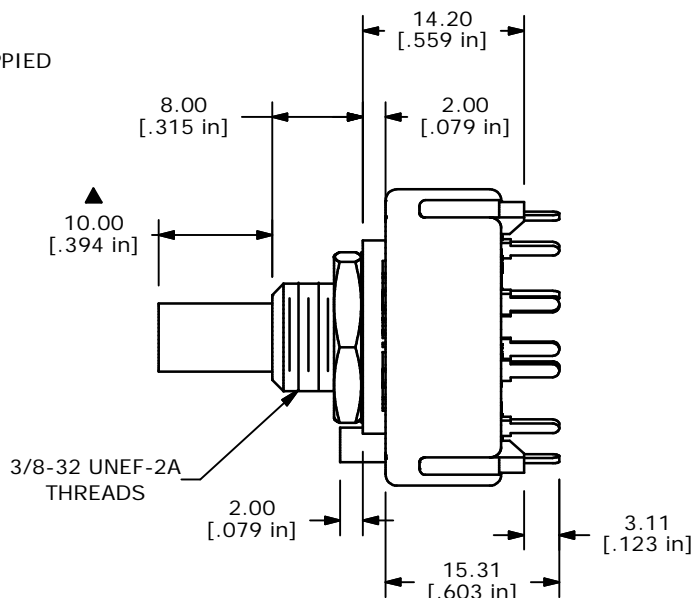
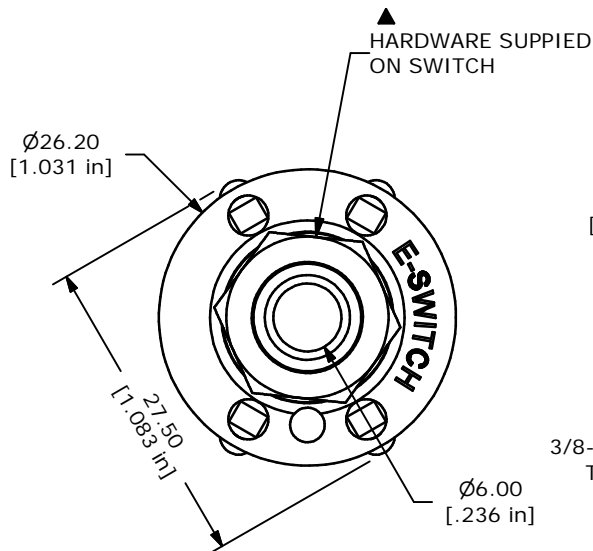


CONTACT CONFIGURATION  
TIMING (BBM) NON-SHORTING



ISOMETERIC



- NOTE:
1. ALL DIMENSIONS IN MM[INCH].
  2. GENERAL TOLERANCE: X.X=±0.4  
X.XX=±0.25
  3. TERM. NOS. FOR REFERENCE ONLY.
  4. CONTACT MATERIAL: SILVER
  5. CONTACT RATING: 150MILLIAMPS, 250VAC/DC  
350MILLIAMPS, 110VAC/DC
  6. CONTACT RATING (NON-SWITCHING) 5A
  7. OPERATING FORCE 425±100CM/STANDARD
  8. OPERATING TEMP: -30°C TO 85°C
  - ▲ 9. CIRCUIT SP: 3 POSITION 30° INDEX.
  10. DIELECTRIC STRENGTH: 1000V RMS MIN.@ SEA LEVEL.
  - ▲ 11. HARDWARE SUPPLIED ON SWITCH:  
LOCKWASHER, HEXNUT
  12. ▲ DENOTES CRITICAL PARAMETER.

**E-SWITCH®**

B	14299	CORRECT BOTTOM VIEW	9/8/04	AR
A	13933	RELEASED FOR PRODUCTION	4/16/04	AR
REV	PCR NO	DESCRIPTION	DATE	BY

TITLE KC33B10.001NPS				
SCALE	DATE	DR	DWG	REV
1.5:1	4/16/04	AR	G510352	B

THE INFORMATION CONTAINED IN THIS DOCUMENT IS PROPRIETARY TO E-SWITCH AND IS NOT TO BE COPIED OR TRANSFERRED