

# SERIES KC SWITCHES

## ROTARY SWITCHES

TACT SWITCHES

NAVIGATION SWITCHES

PUSHBUTTON SWITCHES

TOGGLE SWITCHES

ROCKER SWITCHES

SLIDE SWITCHES

SNAP-ACTION SWITCHES

DIP SWITCHES

KEYLOCK SWITCHES

ROTARY SWITCHES

DETECTOR SWITCHES

CAP OPTIONS



### FEATURES & BENEFITS

- ▶ 1 to 4 poles
- ▶ 1 to 12 positions
- ▶ No stop option

### APPLICATIONS/MARKETS

- ▶ Industrial controls
- ▶ Test & instrumentation
- ▶ Appliance
- ▶ HVAC

### SPECIFICATIONS

|                        |                               |
|------------------------|-------------------------------|
| Ratings:               | 350 mA @ 125 VAC              |
|                        | 150 mA @ 250 VAC              |
| Life Expectancy:       | 10,000 cycles typical         |
| Contact Resistance:    | 25mΩ initial @ 2-4 VDC, 100mA |
| Dielectric Strength:   | 1,500 max V rms at sea level  |
| Insulation Resistance: | 100MΩ min.                    |
| Operating Force:       | 8.6 N/cm                      |

### MATERIALS

|                       |  |
|-----------------------|--|
| Housing, Base, Shaft: | Glass filled nylon   |
| Contact:              | Silver plated copper alloy<br>Gold flash over silver plate                                 |
| Hardware:             | Nut-Zinc, nickel plated<br>Lockwasher-Steel, zinc plated<br>Stop ring-Brass, nickel plated |

### HOW TO ORDER

| SERIES | MODEL NO.               | ACTUATOR                       | ACTUATOR LENGTH           | BUSHING   | TIMING                    | TERMINATION              | CONTACT MATERIAL |
|--------|-------------------------|--------------------------------|---------------------------|-----------|---------------------------|--------------------------|------------------|
| KC     | See Model Options Table | A=Flat<br>B=Round<br>D=Slotted | See Actuator Option Chart | 01<br>02* | N=Non-Short<br>S=Shorting | P=PC Pin<br>L=Solder Lug | S<br>F           |

### Example Ordering Number

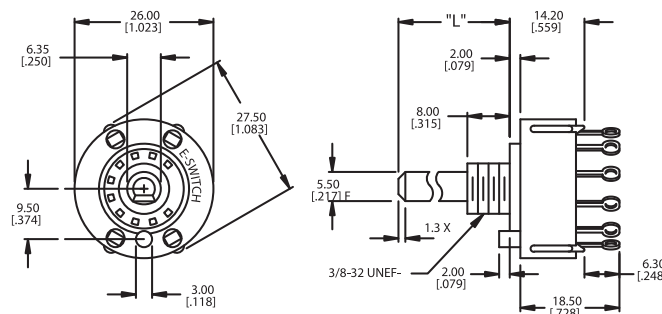
KC-13-B-7.0-02-N-L-S

\* Not available with #10 model.

Specifications subject to change without notice.

## KC

### GENERAL INFORMATION





## MODEL NUMBER OPTIONS

| (SP Models) |                   |                |
|-------------|-------------------|----------------|
| Model       | Sw. Func.         | Terms          |
| 10          | 12-pos.-No stops  | A, 1-12        |
| 11          | ST                | A, 2*          |
| 12          | DT                | A, 1,2*        |
| 13          | 3 pos.            | A, 1-3*        |
| 14          | 4 pos.            | A, 1-4*        |
| 15          | 5 pos.            | A, 1-5*        |
| 16          | 6 pos.            | A, 1-6*        |
| 17          | 7 pos.            | A, 1-7         |
| 18          | 8 pos.            | A, 1-8         |
| 19          | 9 pos.            | A, 1-9         |
| 50          | 10 pos.           | A, 1-10        |
| 51          | 11 pos.           | A, 1-11        |
| 52          | 12 pos.           | A, 1-12        |
| 53          | 2 pos. -60° index | A, 1,3*        |
| 54          | 2 pos. -90° index | A, 1,4*        |
| 55          | 3 pos. -60° index | A, 1,3,5*      |
| 56          | 3 pos. -90° index | A, 1,4,7       |
| 57          | 4 pos. -60° index | A,1,3,5,7      |
| 58          | 4 pos. -90° index | A,1,4,7,10**   |
| 59          | 5 pos. -60° index | A,1,3,5,7,9    |
| 60          | 6 pos. -60° index | A,1,3,5,7,9,11 |

| (DP Models) |                  |                  |
|-------------|------------------|------------------|
| Model       | Sw. Func.        | Terms            |
| 20          | 6-pos.-No stops  | A,C,1-12         |
| 21          | ST               | A, C,2,8         |
| 22          | DT               | A,C,1,2,7,8      |
| 23          | 3 pos.           | A,C 1-3, 7-9     |
| 24          | 4 pos.           | A,C,1-4,7-10     |
| 25          | 5 pos.           | A,C,1-5, 7-11    |
| 26          | 6 pos.           | A,C,1-12         |
| 70          | 2 pos. 60° index | A,C,1,3,7,9      |
| 71          | 2 pos. 90° index | A,C,1,4,7,10     |
| 72          | 2 pos. 60° index | A,C,1,3,5,7,9,11 |

\* Note: Switches with P terminations (PC pins) have additional terminal no. 9 as switch support only. This terminal is not connected electrically inside switch.

\*\* Note: Standard with stops

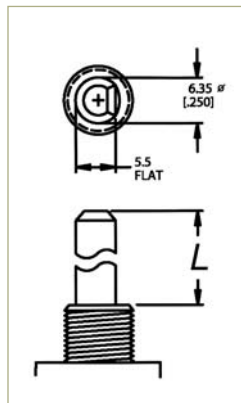
All models 30° indexing unless otherwise noted.

| (3P Models) |                  |                    |
|-------------|------------------|--------------------|
| Model       | Sw. Func.        | Terms              |
| 30          | 4-pos.-No stops  | A,B,C,1-12         |
| 31          | ST               | A,B,C,2,6,10       |
| 32          | DT               | A,B,C,1,2,5,6,9,10 |
| 33          | 3 pos.           | A,B,C,1-3,5-7,9-11 |
| 34          | 4 pos.           | A,B,C,1-12         |
| 80          | 2 pos. 60° index | A,B,C,1,3,5,7,9,11 |
| 81          | 2 pos. 90° index | A,B,C,1,4,5,8,9,12 |

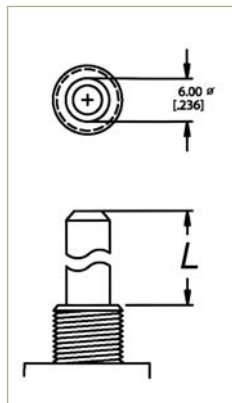
| (4P Models) |                  |                           |
|-------------|------------------|---------------------------|
| Model       | Sw. Func.        | Terms                     |
| 40          | 3-pos.-No stops  | all terms                 |
| 41          | ST               | A,B,C,D,2,5,8,11          |
| 42          | DT               | A,B,C,D,1,2,4,5,7,8,10,11 |
| 43          | 3 pos.           | all terms                 |
| 91          | 2 pos. 60° index | A,B,C,D,1,3,4,6,7,9,10,12 |

## ACTUATOR OPTIONS

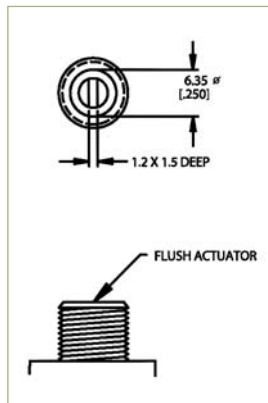
### A FLAT



### B ROUND



### D SLOTTED

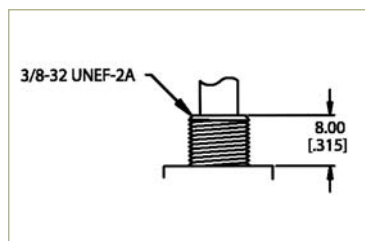


| Actuator | Available Actuator Lengths (mm) |      |     |     |      |      |
|----------|---------------------------------|------|-----|-----|------|------|
| A        | 30.0                            | 38.0 | 9.5 | 7.0 | 10.0 | 13.0 |
| B        | 30.0                            | 10.0 | 7.0 |     |      |      |
| D        | 0.0                             |      |     |     |      |      |

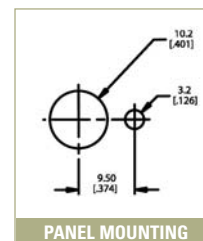
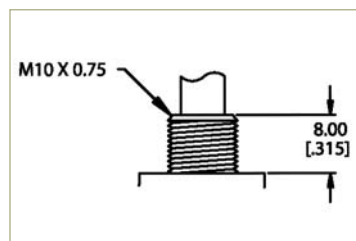
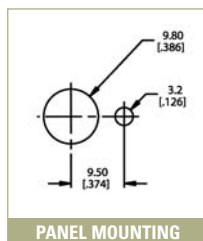
\*All actuators shown in Pos. 1, fully CCW.

## BUSHING OPTIONS

### 01 STANDARD



### 02 METRIC

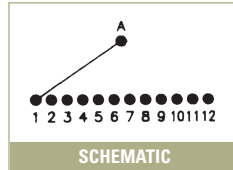
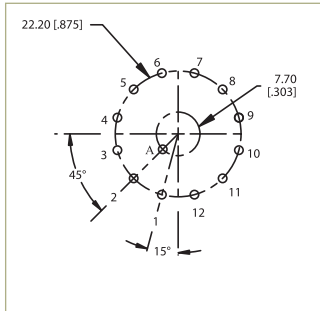


# SERIES KC SWITCHES

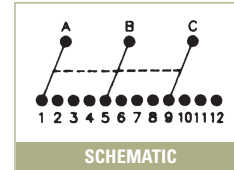
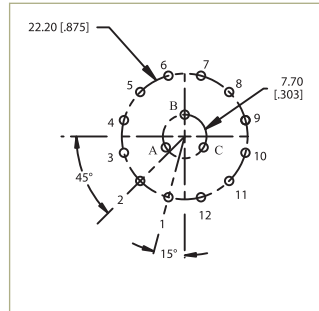
## ROTARY SWITCHES

### SCHEMATICS AND PC MOUNTING

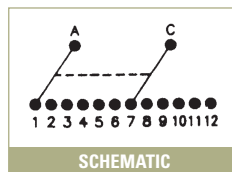
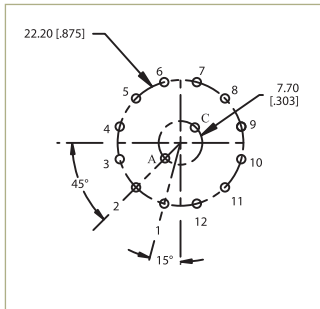
#### SP 1 POLE, 12 POSITIONS



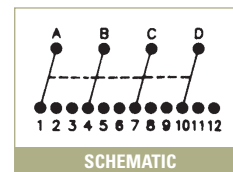
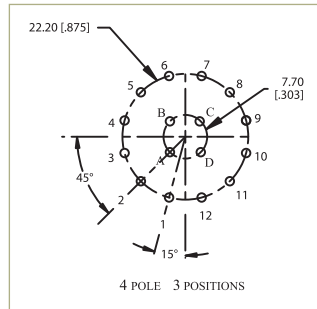
#### 3P 3 POLE, 4 POSITIONS



#### DP 2 POLE, 6 POSITION



#### 4P 4 POLE, 3 POSITIONS



### TIMING OPTIONS

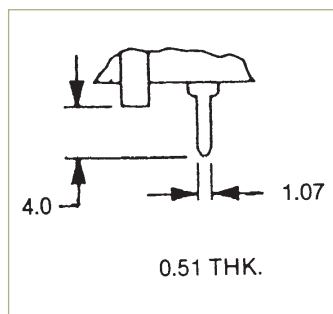
N= (STD.) Non-shorting – break before make

S = Shorting – make before break

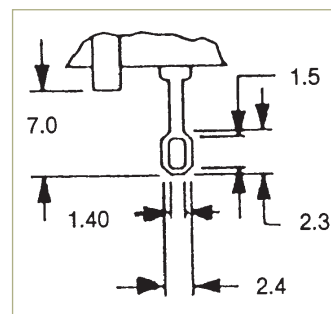
Note: (S) shorting contacts available only with 30° indexing

### TERMINATION OPTIONS

#### P PC PIN



#### L SOLDER LUG



### CONTACT MATERIAL OPTIONS

S = Standard Silver over copper alloy

F = Gold Flash over silver plate over copper alloy

TACT  
SWITCHES

NAVIGATION  
SWITCHES

PUSHBUTTON  
SWITCHES

TOGGLE  
SWITCHES

ROCKER  
SWITCHES

SLIDE  
SWITCHES

SNAP-ACTION  
SWITCHES

DIP  
SWITCHES

KEYLOCK  
SWITCHES

ROTARY  
SWITCHES

DETECTOR  
SWITCHES

CAP  
OPTIONS