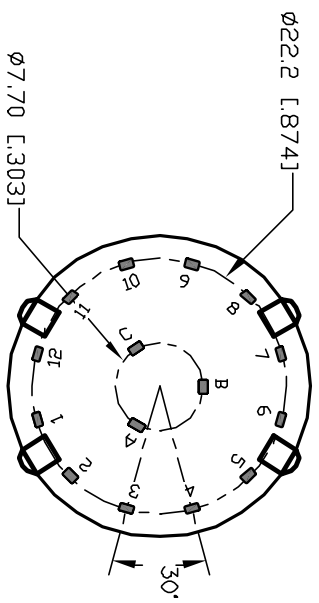
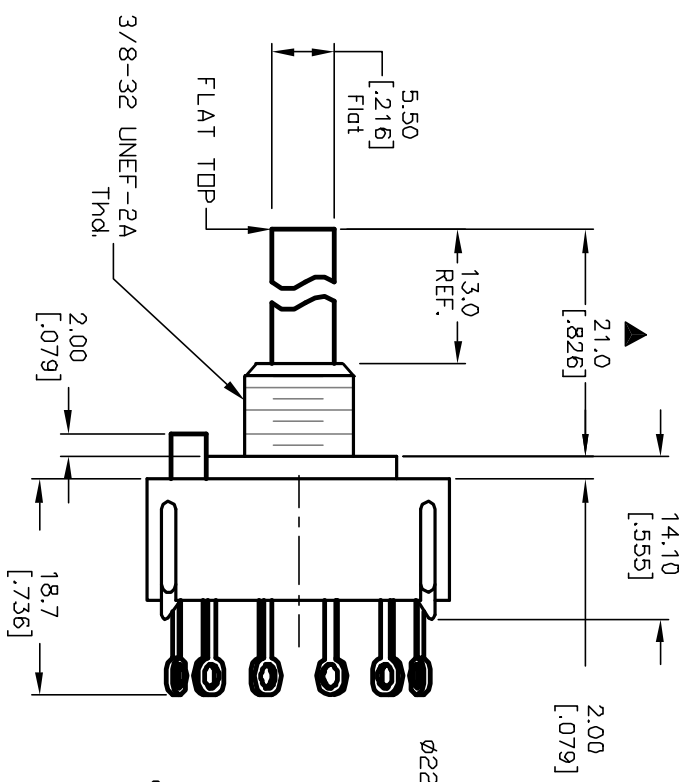
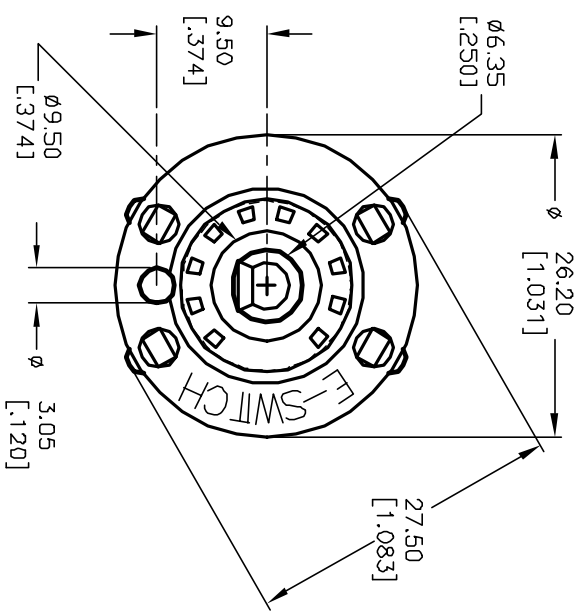
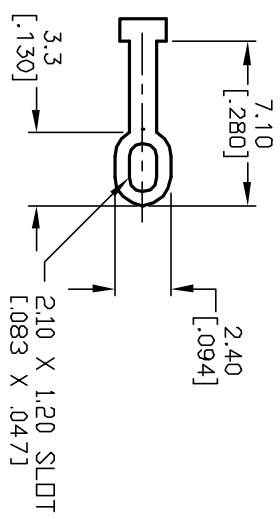
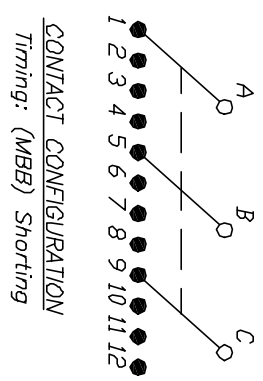


- NOTES:
1. ALL DIMENSION IN MM [INCH]
 2. GENERAL TOLERANCE: X.X=±0.4
X.XX=±0.25
 3. TERM. NOS. FOR REF. ONLY
 4. CONTACT RATING SWITCHING: 150mA, 250V AC/DC
350mA, 110V AC/DC
 5. OPERATING FORCE: 425±100 CM/STANDARD
 6. OPERATING TEMP: -30° to 85°C
 7. CIRCUIT 3P: 4 POSITIONS, 30° INDEX.
 8. DIELECTRIC STRENGTH: 1000V RMS min.@Sea Level
 9. DESIGNATE MAJOR DIMENSIONS
 10. SUPPLIED LOCK NUT AND WASHER (NOT SHOWN).



| | | | | | | | | | | | |
|---|--|-------|-------------|--------|------|---------------------------|-------|--------|-----|---------|-----|
| REV. A | | 12799 | RELEASED | 2/6/03 | CJB | TITLE | SCALE | DATE | DR | DWG | REV |
| REV. ECN No. | | | DESCRIPTION | DATE | CHKD | KC-34-A-(13.0mm) 01-S-L-S | 1.5:1 | 2/6/03 | CJB | G510268 | A |
| <p>THE INFORMATION CONTAINED IN THIS DOCUMENT IS PROPRIETARY TO E-SWITCH AND IS NOT TO BE COPIED OR TRANSFERRED</p> | | | | | | | | | | | |

E-SWITCH®