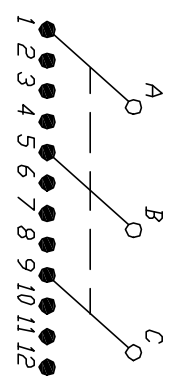
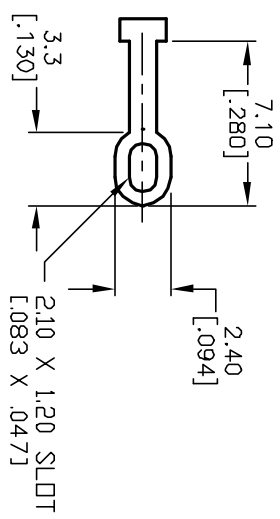


NOTES:

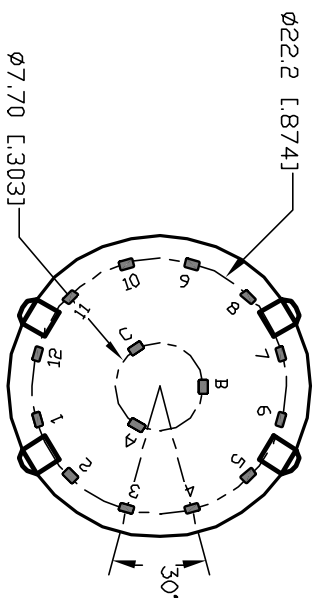
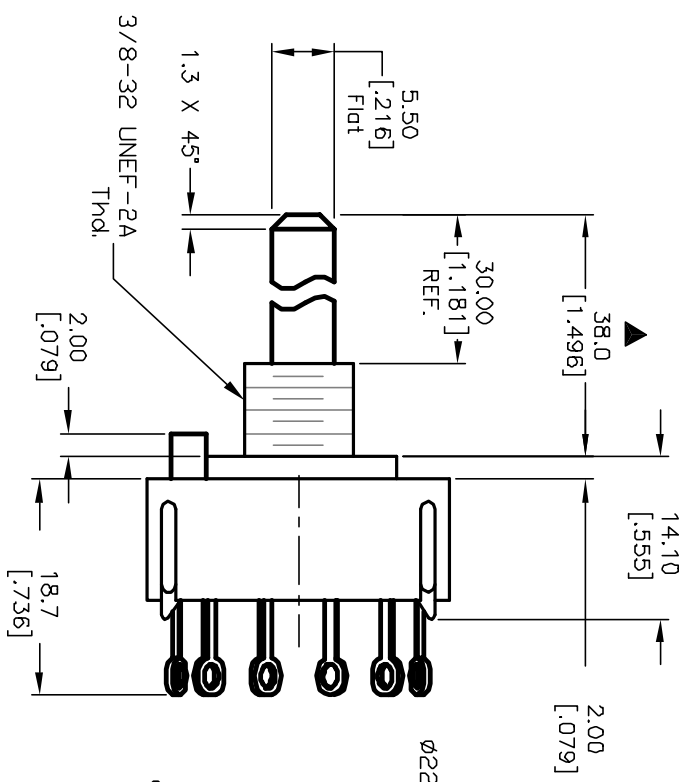
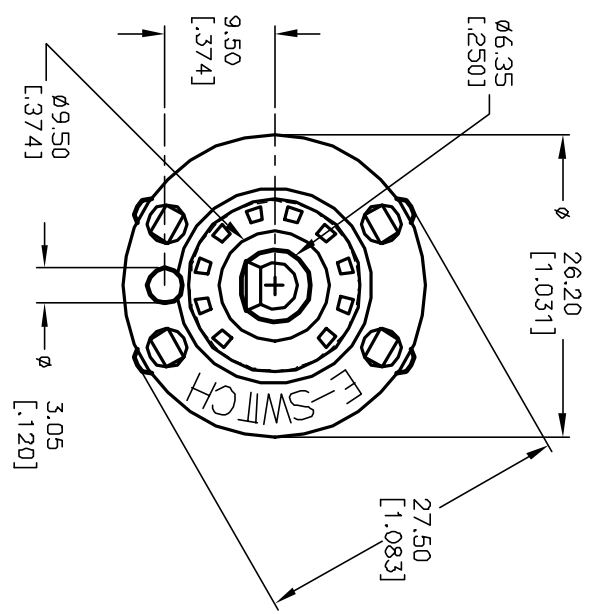
1. ALL DIMENSION IN MM [INCH]
2. GENERAL TOLERANCE: X.X=±0.4
X.XX=±0.25
3. TERM. NOS. FOR REF. ONLY
4. CONTACT RATING SWITCHING: 150mA, 250V AC/DC
350mA, 110V AC/DC
5. OPERATING FORCE: 425±100 CM/STANDARD
6. OPERATING TEMP: -30° to 85°C
7. CIRCUIT 3P: 4 POSITIONS, 30° INDEX.
8. DIELECTRIC STRENGTH: 1000V RMS min.@Sea Level
9. DESIGNATE MAJOR DIMENSIONS
10. SUPPLIED LOCK NUT AND WASHER (NOT SHOWN).



CONTACT CONFIGURATION
Timing: (MBB) Shorting



TERMINATION DETAIL
SCALE 2X



REV. A		12770	REVISED ACTUATOR	1/28/03	CJB	TITLE	SCALE	DATE	DR	DWG	REV
ECN No.			DESCRIPTION	DATE	CHKD	KC-34-A-(30.0mm) 01-S-L-S	1.5:1	1/28/03	CJB	G510267	A
<p>THE INFORMATION CONTAINED IN THIS DOCUMENT IS PROPRIETARY TO E-SWITCH AND IS NOT TO BE COPIED OR TRANSFERRED</p>											

E-SWITCH®