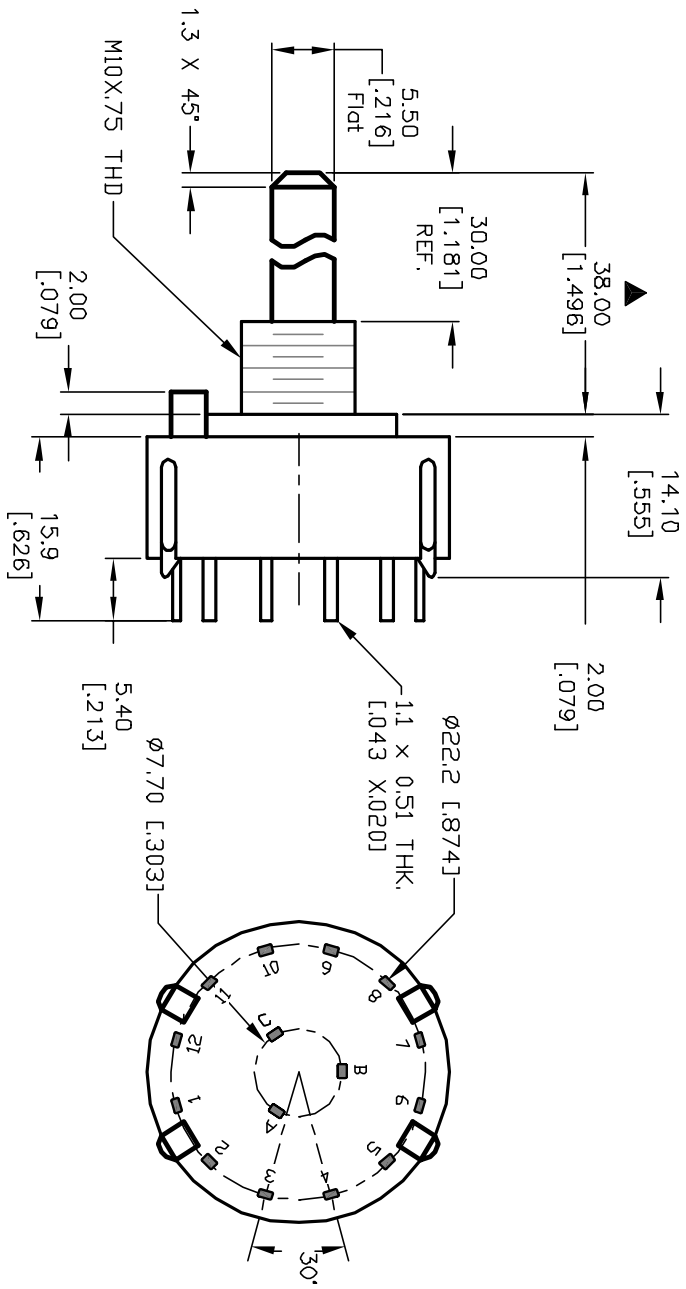
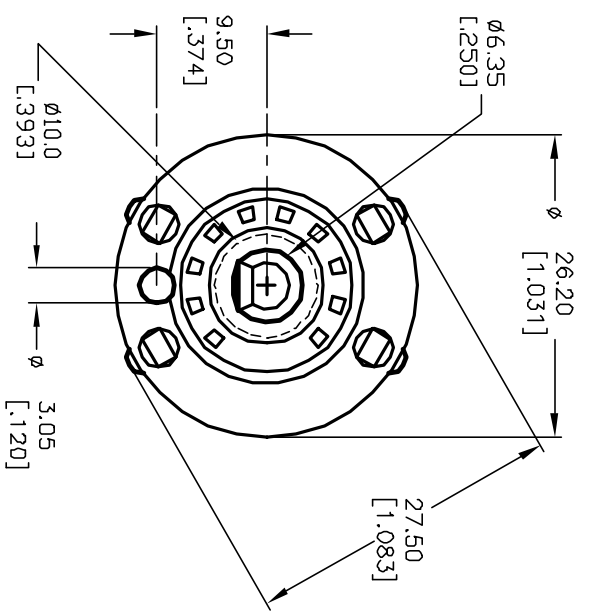
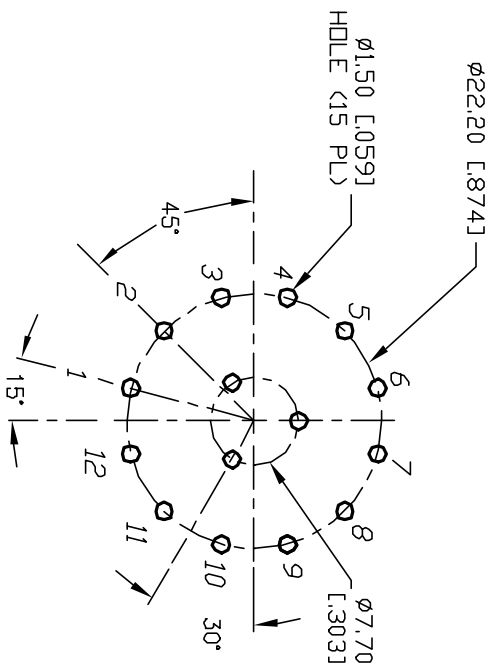
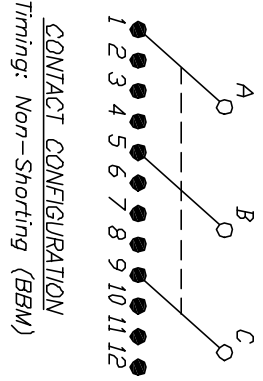


- NOTES:
1. ALL DIMENSION IN MM [INCH]
 2. GENERAL TOLERANCE: X.X=±0.4
X.XX=±0.25
 3. TERM. NOS. FOR REF. ONLY
 4. CONTACT RATING SWITCHING: 150mA, 250V AC/DC
350mA, 110V AC/DC
 5. CONTACT RATING (NON-SWITCHING) 5A
 6. CONTACT MATERIAL: SILVER OVER COPPER ALLOY
 7. OPERATING FORCE: 425±100 CM/STANDARD
 8. OPERATING TEMP: -30° to 85°C
 9. CIRCUIT 3P: 4 POSITIONS, 30° INDEX.
 10. DIELECTRIC STRENGTH 1000V RMS min. @ SEA LEVEL
 11. DESIGNATE MAJOR DIMENSIONS
 12. SUPPLIED LOCK NUT AND WASHER (NOT SHOWN).



B		TITLE		SCALE		DATE		DR		DWG		REV	
A		RELEASED FOR PRODUCTION		1.5:1		9/16/02		CJB		G510462		A	
REV.		DESCRIPTION		DATE		CHKD							
12394		KC-34-A (30.0mm)-02-N-P-S		9/16/02		CJB							
ECN No.		DATE		SCALE		DATE		DR		DWG		REV	
		9/16/02		1.5:1		9/16/02		CJB		G510462		A	
<p>THE INFORMATION CONTAINED IN THIS DOCUMENT IS PROPRIETARY TO E-SWITCH AND IS NOT TO BE COPIED OR TRANSFERRED</p>													

E-SWITCH®