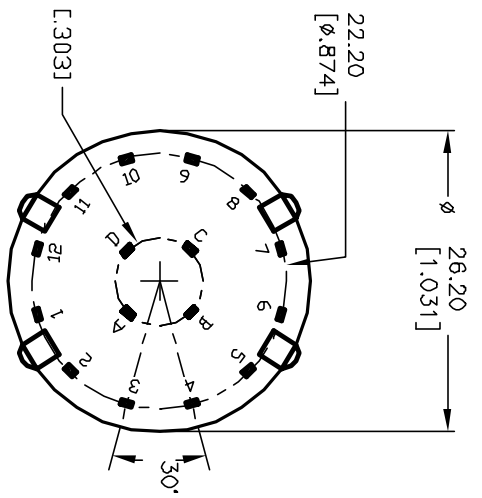
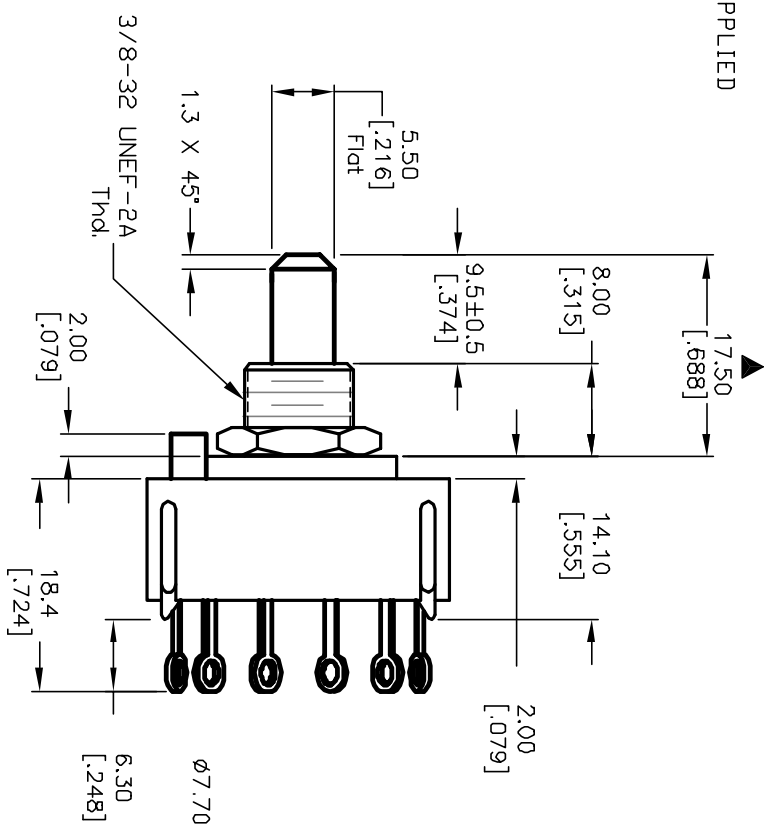
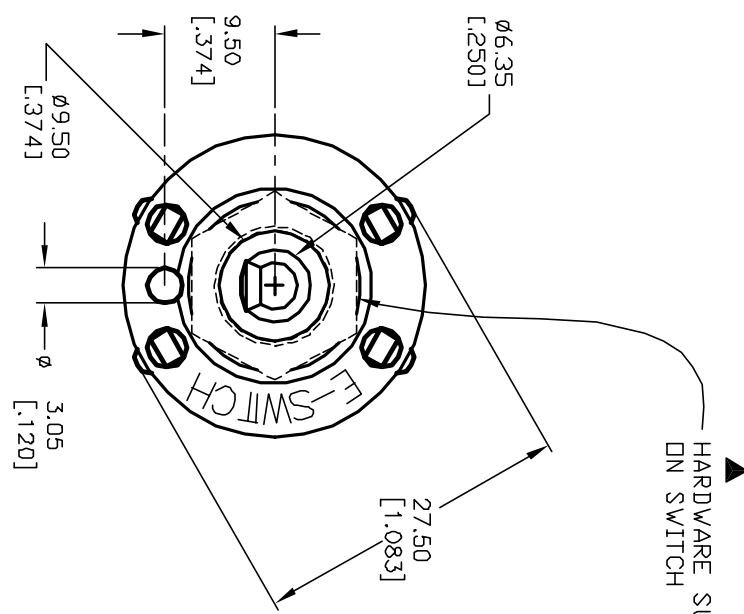
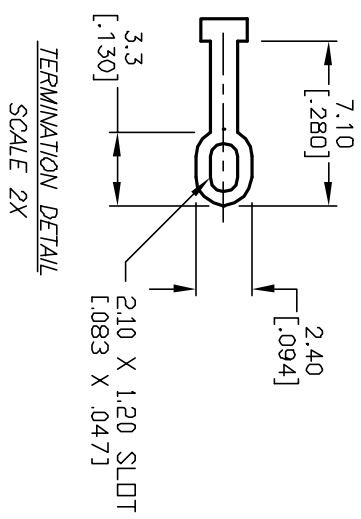
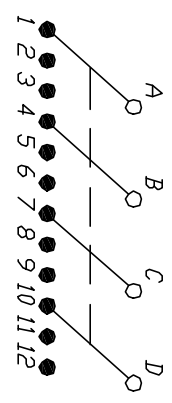


NOTES:

1. ALL DIMENSION IN MM [INCH]
2. GENERAL TOLERANCE: X.X=±0.4  
X.XX=±0.25
3. TERM. NOS. FOR REF. ONLY
4. CONTACT RATING SWITCHING: 150mA, 250V AC/DC  
350mA, 110V AC/DC
5. CONTACT MATERIAL: GOLD FLASH over Silver plate
6. OPERATING FORCE: 425±100 CM/STANDARD
7. OPERATING TEMP: -30° to 85°C
8. CIRCUIT 4Pole: 3 POSITIONS, 30° INDEX.
9. DIELECTRIC STRENGTH: 1000V RMS min.@SEA LEVEL.
10. DESIGNATE MAJOR DIMENSIONS
11. HARDWARE SUPPLIED ON SWITCH -SEE BELOW  
LOCKING RING, LOCKWASHER, & HEX NUT.



B		TITLE		SCALE		DATE		DR		DWG		REV	
A		RELEASED FOR PRODUCTION		1.5:1		2/28/03		CB		G510271		A	
REV.		DESCRIPTION		DATE		CHKD							
12869		E-SWITCH		2/28/03		CB							
<p>THE INFORMATION CONTAINED IN THIS DOCUMENT IS PROPRIETARY TO E-SWITCH AND IS NOT TO BE COPIED OR TRANSFERRED</p>													

**E-SWITCH®**

KC-43-A-(9.5mm) 01-S-L-F