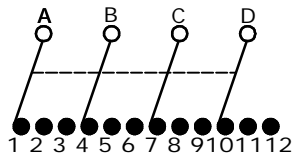
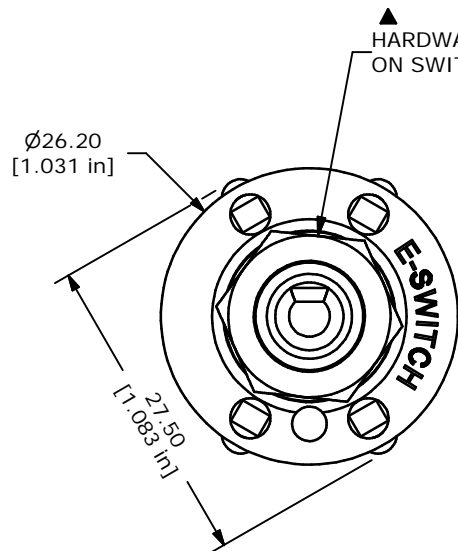
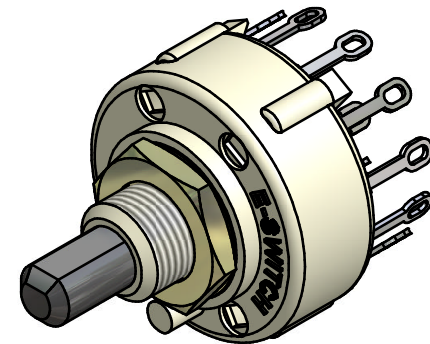


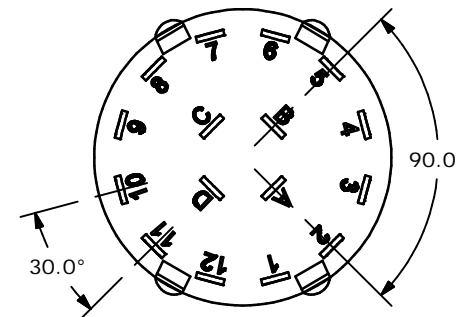
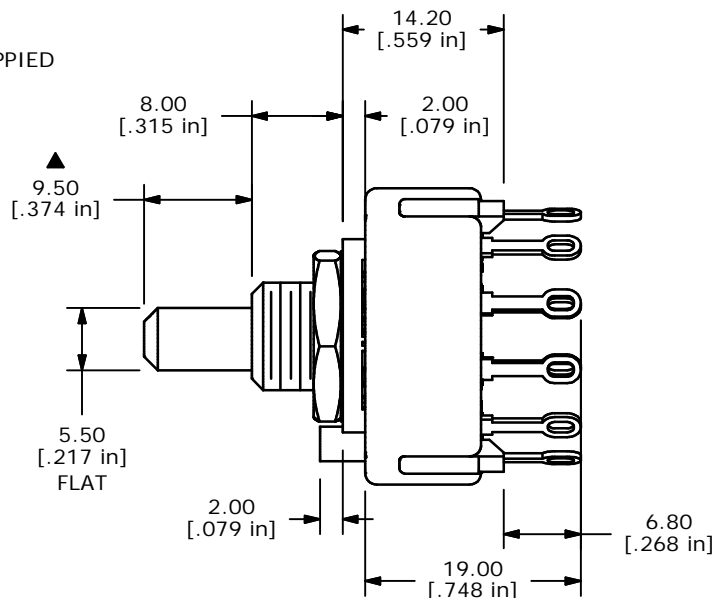
B



CONTACT CONFIGURATION
TIMING (MTB) SHORTING



▲ HARDWARE SUPPLIED ON SWITCH



NOTE:

1. ALL DIMENSIONS IN MM[INCH].
2. GENERAL TOLERANCE: X.X \pm 0.4
X.XX \pm 0.25
3. TERM. NOS. FOR REFERENCE ONLY.
4. CONTACT MATERIAL: SILVER
5. CONTACT RATING: 150MILLIAMP, 250VAC/DC
350MILLIAMP, 110VAC/DC
6. CONTACT RATING (NON-SWITCHING) 5A
7. OPERATING FORCE 425 \pm 100CM/STANDARD
8. OPERATING TEMP: -30°C TO 85°C
- ▲ 9. CIRCUIT SP: 12 POSITION 30° INDEX.
10. DIELECTRIC STRENGTH: 1000V RMS MIN.@ SEA LEVEL.
- ▲ 11. HARDWARE SUPPLIED ON SWITCH:
LOCKWASHER, HEXNUT
12. ▲ DENOTES CRITICAL PARAMETER.

E-SWITCH®

B	13626	CONTACT CONFIGURATION & TITLE	11/26/03	AR
A	13579	RELEASED FOR PRODUCTION	11/5/03	AR
REV	PCR NO	DESCRIPTION	DATE	BY

TITLE KC43A9.501SLS				
SCALE	DATE	DR	DWG	REV
1.5:1	11/5/03	AR	G510272	B

THE INFORMATION CONTAINED IN THIS DOCUMENT IS PROPRIETARY TO E-SWITCH AND IS NOT TO BE COPIED OR TRANSFERRED