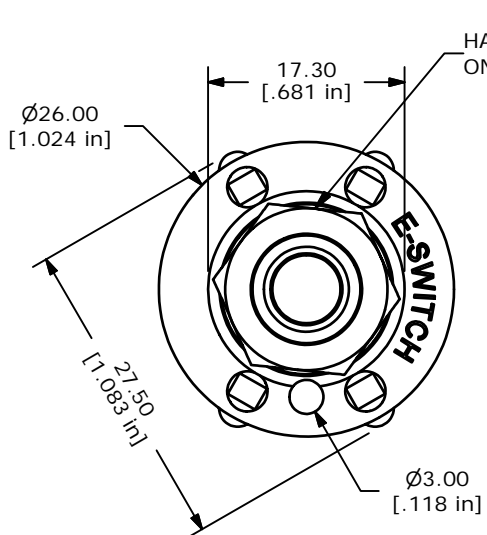
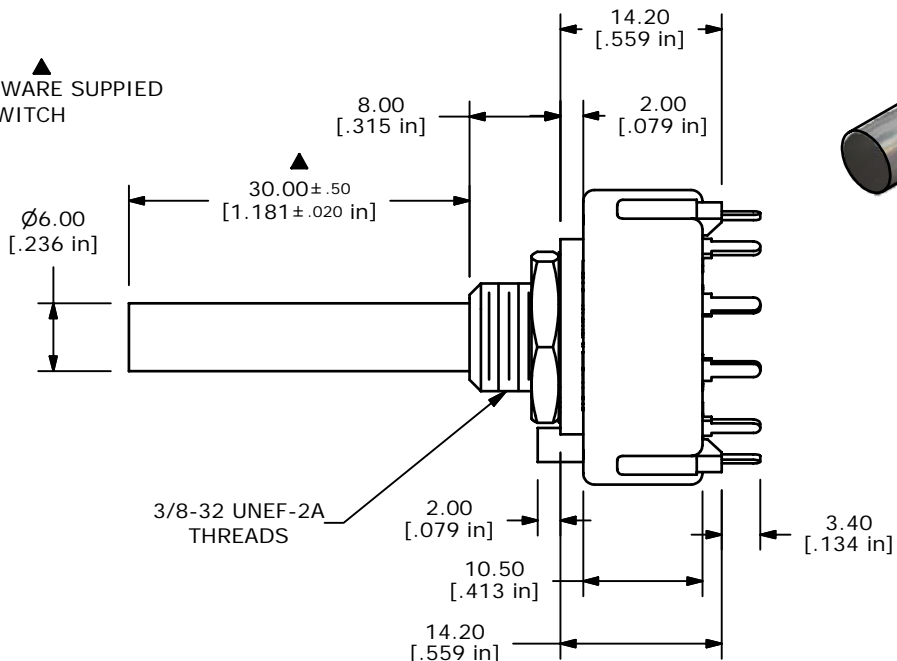


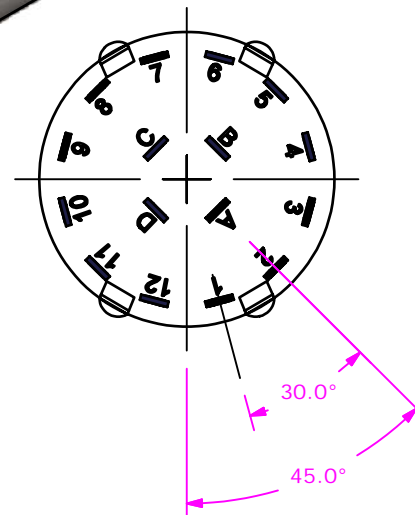
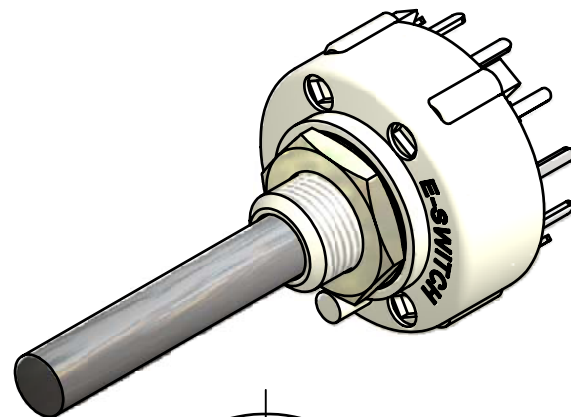
CONTACT CONFIGURATION
TIMING (BBM) NON-SHORTING



HARDWARE SUPPLIED
ON SWITCH

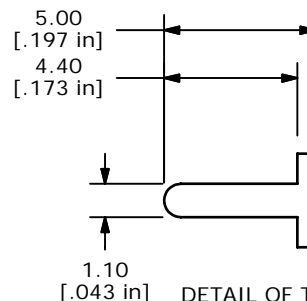


3/8-32 UNEF-2A
THREADS



NOTE:

1. ALL DIMENSIONS IN MM[INCH].
2. GENERAL TOLERANCE: X.X=±0.4
X.XX=±0.25
3. TERM. NOS. FOR REFERENCE ONLY.
4. CONTACT MATERIAL: SILVER
5. CONTACT RATING: 150MILLIAMPS, 250VAC/DC
350MILLIAMPS, 110VAC/DC
6. TIMING: NON-SHORTING
7. OPERATING FORCE 425± 100CM/STANDARD
8. OPERATING TEMP: -30°C TO 85°C
- ▲9. CIRCUIT SP: 3 POSITION 30° INDEX.
10. DIELECTRIC STRENGTH: 1000V RMS MIN.@ SEA LEVEL.
- ▲11. HARDWARE SUPPLIED ON SWITCH:
LOCKWASHER, HEXNUT, LOCK RING
12. ▲ DENOTES CRITICAL PARAMETER.
13. 2002/95/EC (ROHS) COMPLIANT



DETAIL OF TERMINALS

E-SWITCH®

B	16778	FIXED CONTACT CONFIGURATION	12/20/06	TN
A	16752	RELEASED FOR PRODUCTION	12/14/06	TN
REV	PCR NO	DESCRIPTION	DATE	BY

TITLE KC43B30.001NPS				
SCALE	DATE	DR	DWG	REV
1.5:1	12/20/2006	TN	G510281	B

THE INFORMATION CONTAINED IN THIS DOCUMENT IS PROPRIETARY TO E-SWITCH AND IS NOT TO BE COPIED OR TRANSFERRED