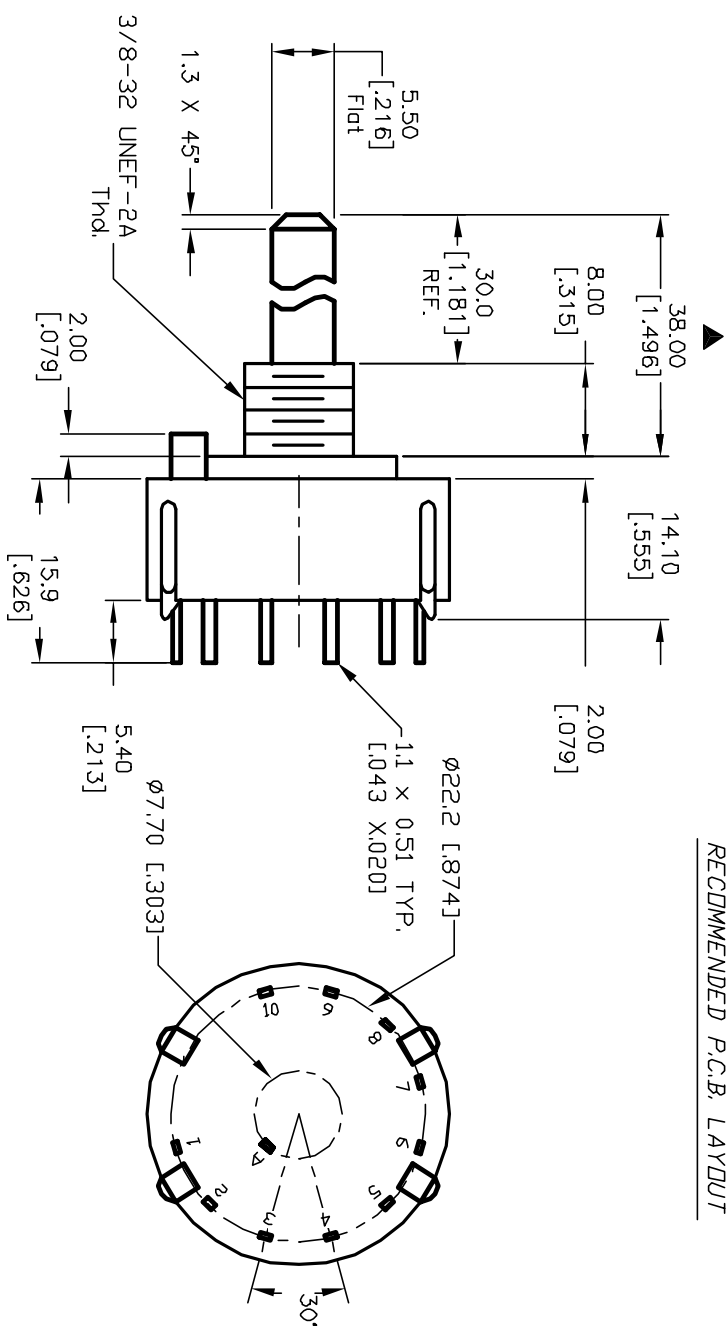
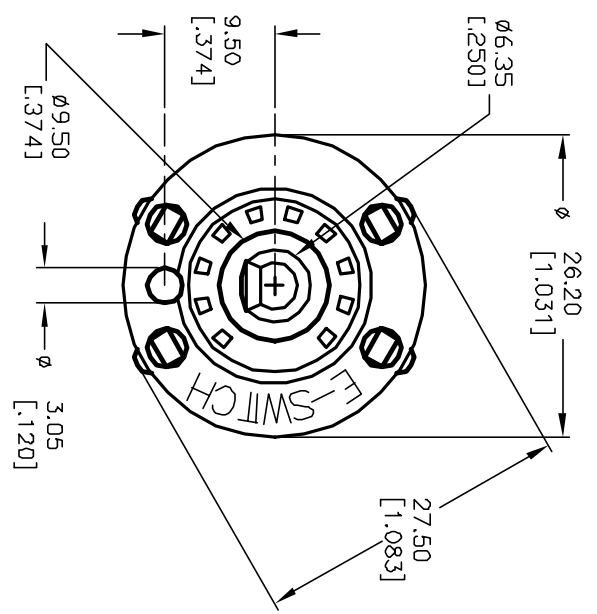
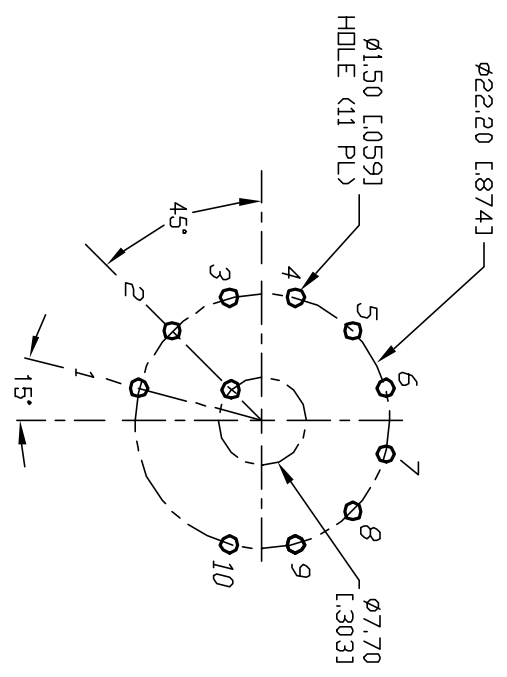
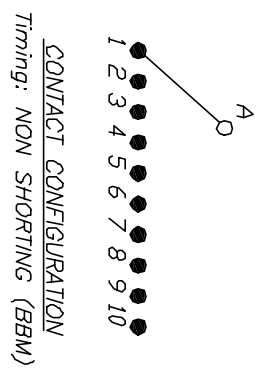


NOTES:

1. ALL DIMENSION IN MM [INCH]
2. GENERAL TOLERANCE: X.X=±0.4
X.XXX=±0.25
3. TERM. NOS. FOR REF. ONLY
4. CONTACT RATING SWITCHING: 150mA, 250V AC/DC
350mA, 110V AC/DC
5. CONTACT RATING (NON-SWITCHING) 5A
6. CONTACT MATERIAL:
STANDARD SILVER over COPPER ALLOY
7. OPERATING FORCE: 425±100 CM/STANDARD
8. OPERATING TEMP: -30° to 85°C
9. CIRCUIT SP: 10 POSITIONS, 30° INDEX.
10. DIELECTRIC STRENGTH 1000V RMS min. @ SEA LEVEL
11. DESIGNATE MAJOR DIMENSIONS
12. SUPPLIED LOCK NUT AND WASHER (NOT SHOWN).



A		12433	REV. DESC PER NEW CATALOG	9/19/02	CJB	TITLE	
A		12065	RELEASED FOR PRODUCTION	4/15/02	CJB	KC-50-A-(30.0mm)01-N-P-S	
REV.		ECN No.	DESCRIPTION	DATE	CHKD	SCALE	DATE
						1.5:1	4/15/02
						DR	CJB
						DWG	G530103
						REV	B

E-SWITCH®

THE INFORMATION CONTAINED IN THIS DOCUMENT IS PROPRIETARY TO E-SWITCH AND IS NOT TO BE COPIED OR TRANSFERRED