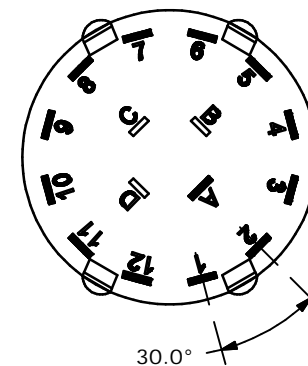
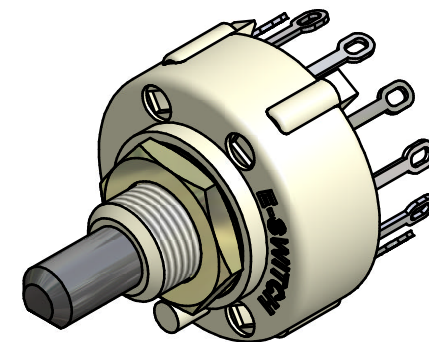
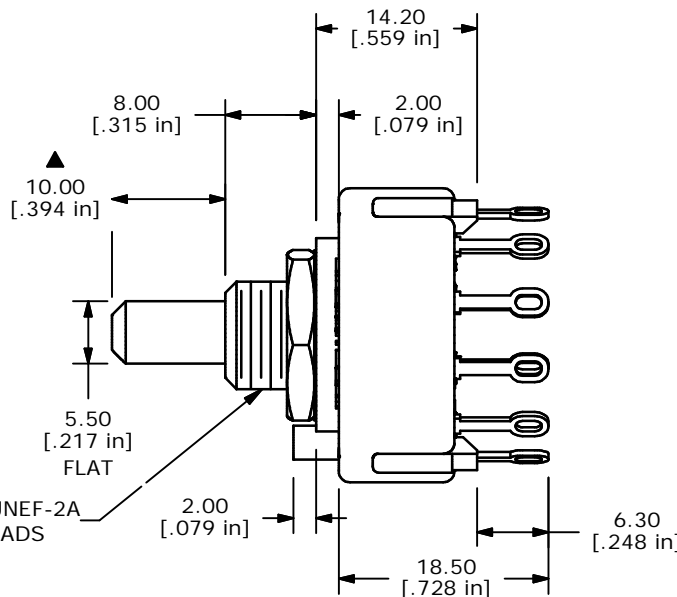
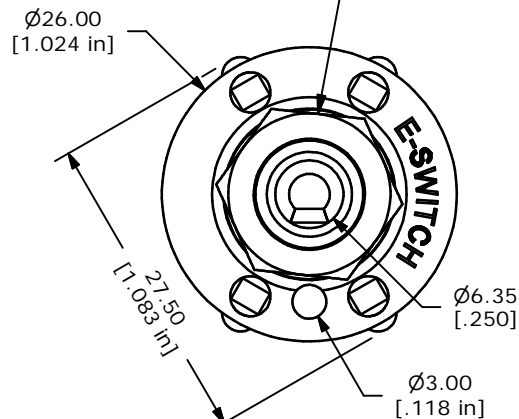


A
 1 2 3 4 5 6 7 8 9 10 11 12
 CONTACT CONFIGURATION
 TIMING (BBM) NON-SHORTING

▲ HARDWARE SUPPLIED
 ON SWITCH



- NOTE:
1. ALL DIMENSIONS IN MM[INCH].
 2. GENERAL TOLERANCE: X.X=±0.4
X.XX=±0.25
 3. TERM. NOS. FOR REFERENCE ONLY.
 4. CONTACT MATERIAL: SILVER
 5. CONTACT RATING: 150MILLIAMP, 250VAC/DC
350MILLIAMP, 110VAC/DC
 6. CONTACT RATING (NON-SWITCHING) 5A
 7. OPERATING FORCE 425±100CM/STANDARD
 8. OPERATING TEMP: -30°C TO 85°C
 - ▲ 9. CIRCUIT SP: 12 POSITION 30° INDEX NO STOPS.
 10. DIELECTRIC STRENGTH: 1000V RMS MIN.@ SEA LEVEL.
 - ▲ 11. HARDWARE SUPPLIED:
LOCKWASHER, HEXNUT
 12. ▲ DENOTES CRITICAL PARAMETER.

E	14488	REVISED & REDRAWN	11/10/04	AR
D	12821	REVISED NOTE 11	2/18/03	CJB
C	12407	REVISED DIA. WAS 6.00/FLAT	9/11/02	CJB
B	12222	REVISED ACTATOR LENGTH	7/3/02	CJB
A	12249	RELEASED FOR PRODUCTION	6/19/02	CJB
REV	PCR NO	DESCRIPTION	DATE	BY

E-SWITCH®

TITLE KC52A10.001NLS

SCALE	DATE	DR	DWG	REV
1.5:1	6/19/02	CJB	G510347	E

THE INFORMATION CONTAINED IN THIS DOCUMENT IS PROPRIETARY TO E-SWITCH AND IS NOT TO BE COPIED OR TRANSFERRED