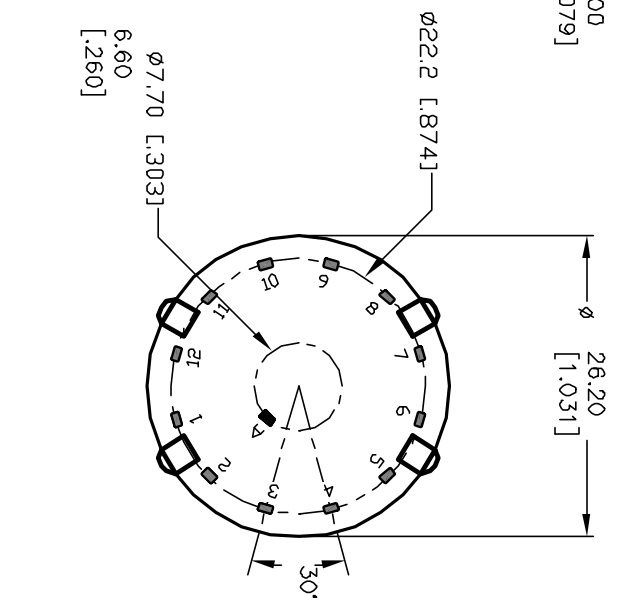
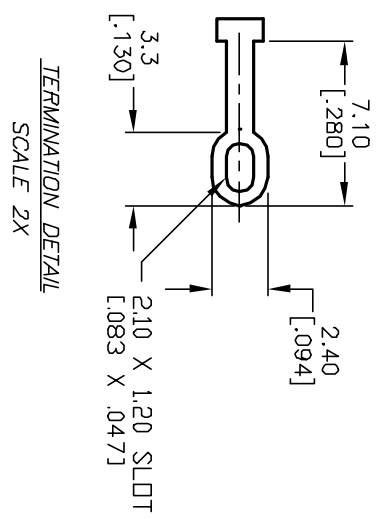
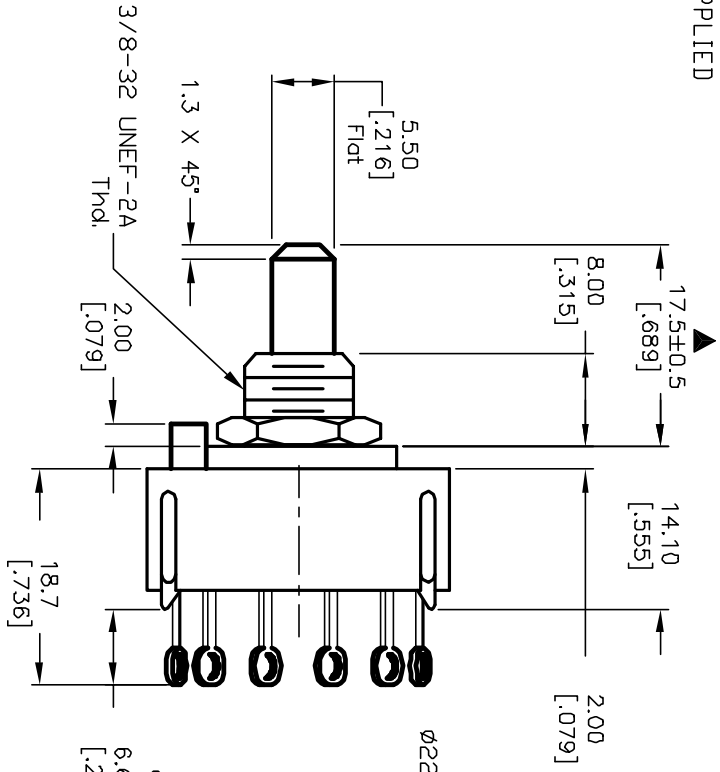
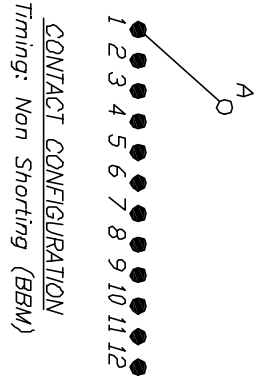
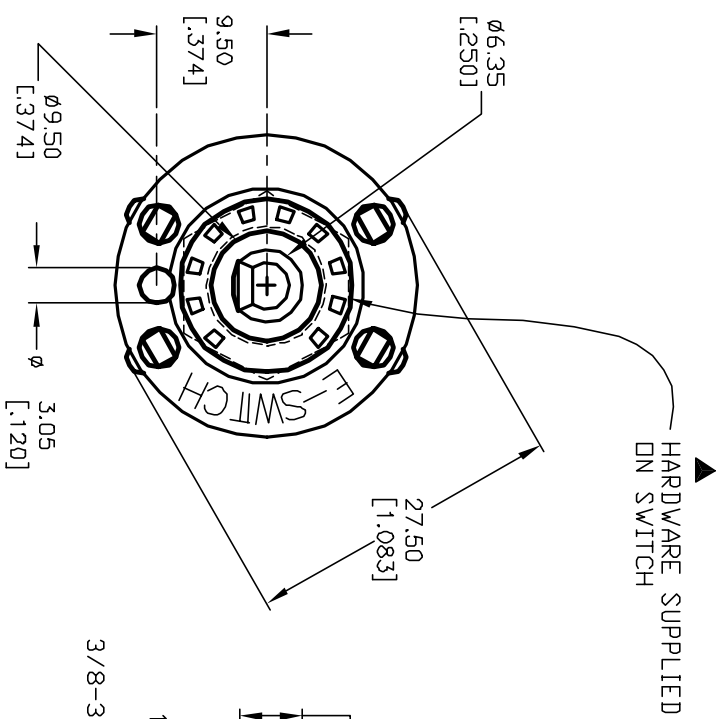


- NOTES:
1. ALL DIMENSION IN MM [INCH]
 2. GENERAL TOLERANCE: X.X=±0.4
X.XX=±0.25
 3. TERM. NOS. FOR REF. ONLY
 4. CONTACT RATING SWITCHING: 150mA, 250V AC/DC
350mA, 110V AC/DC
 5. CONTACT MATERIAL: GOLD FLASH over Silver Plate
OVER COPPER ALLOY
 6. OPERATING FORCE: 425±100 CM/STANDARD
 7. OPERATING TEMP: -30° to 85°C
 8. CIRCUIT DP: 12 POSITIONS, 30° INDEX.
 9. DIELECTRIC STRENGTH: 1000V RMS min.@Sea Level
 10. DESIGNATE MAJOR DIMENSIONS
 11. HARDWARE SUPPLIED ON SWITCH - SEE BELOW
STOPRING, LOCKWASHER, & HEXNUT



C	12831	REVISED NOTE 11	3/3/03	CJB	<p>E-SWITCH®</p> <p>TITLE: KC-52-A (9.5mm)-01-N-L-F</p>
B	12238	REV PART DESC. PER CATALOG	6/13/02	CJB	
A	12072	RELEASED FOR PRODUCTION	4/16/02	CJB	
REV.	ECN No.	DESCRIPTION	DATE	CHKD	
<p>THE INFORMATION CONTAINED IN THIS DOCUMENT IS PROPRIETARY TO E-SWITCH AND IS NOT TO BE COPIED OR TRANSFERRED</p>					
SCALE	1.5:1	DATE	4/16/02	DR	CJB
				DWG	G510241
				REV	C