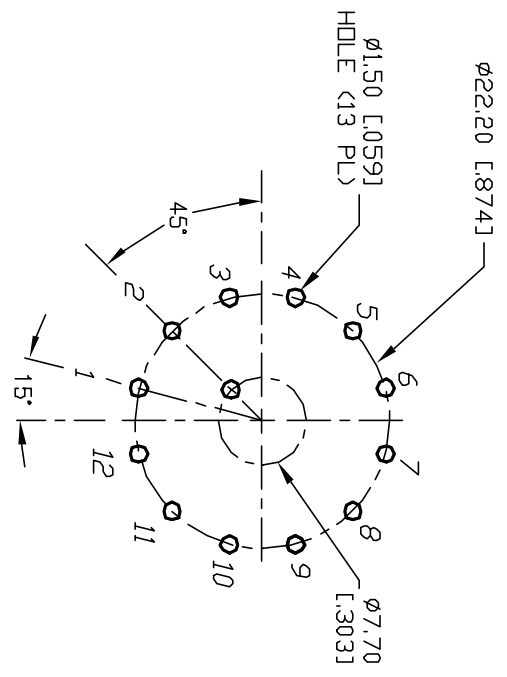
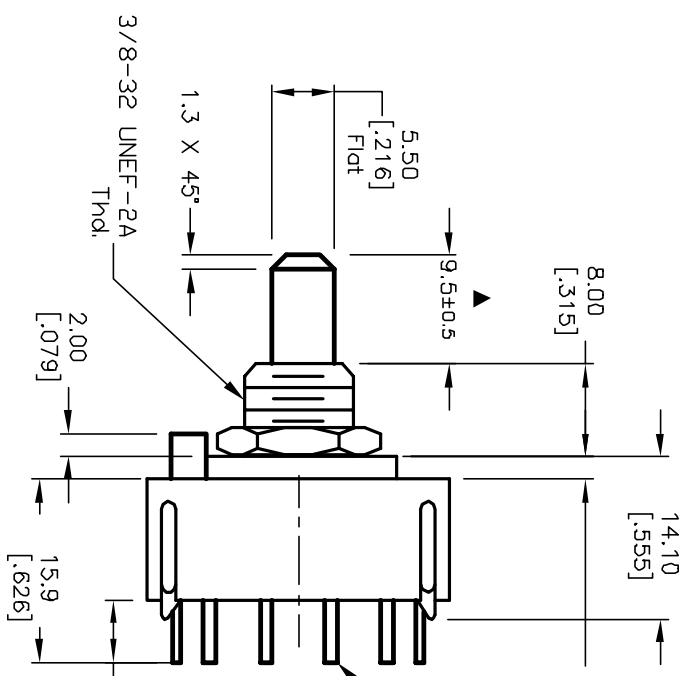
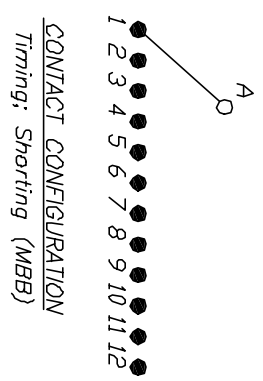
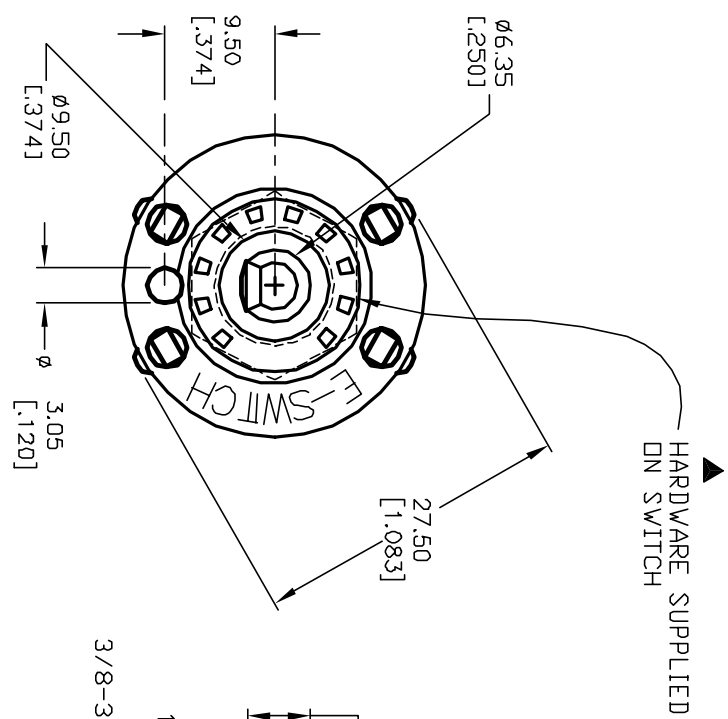


- NOTES:
1. ALL DIMENSION IN MM [INCH]
 2. GENERAL TOLERANCE: X.X=±0.4
X.XX=±0.25
 3. TERM. NOS. FOR REF. ONLY
 4. CONTACT RATING SWITCHING: 150mA, 250V AC/DC
350mA, 110V AC/DC
 5. CONTACT RATING (NON-SWITCHING) 5A
 6. CONTACT MATERIAL: SILVER OVER COPPER ALLOY
 7. OPERATING FORCE: 425±100 CM/STANDARD
 8. OPERATING TEMP: -30° to 85°C
 9. CIRCUIT SP: 12 POSITIONS, 30° INDEX.
 10. DIELECTRIC STRENGTH 1000V RMS min. @ SEA LEVEL
 11. DESIGNATE MAJOR DIMENSIONS
 12. HARDWARE SUPPLIED ON SWITCH - SEE BELOW
STOPPING, LOCKWASHER, & HEXNUT.



D	12821	REVISED NOTE 12	3/4/03	CJB
C	12222	REVISED ACTUATOR LENGTH	7/3/02	CJB
B	12249	REV DESC. PER CATALOG	6/19/02	CJB
A	11278	RELEASED FOR PRODUCTION	3/5/01	CJB
REV.	ECN No.	DESCRIPTION	DATE	CHKD

THE INFORMATION CONTAINED IN THIS DOCUMENT IS PROPRIETARY TO E-SWITCH AND IS NOT TO BE COPIED OR TRANSFERRED				
SCALE	DATE	DR	DWG	REV
1.5:1	3/5/01	CJB	G527549	D
TITLE				
KC-52-A (9.5mm)-01-S-P-S				
E-SWITCH®				