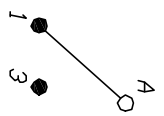
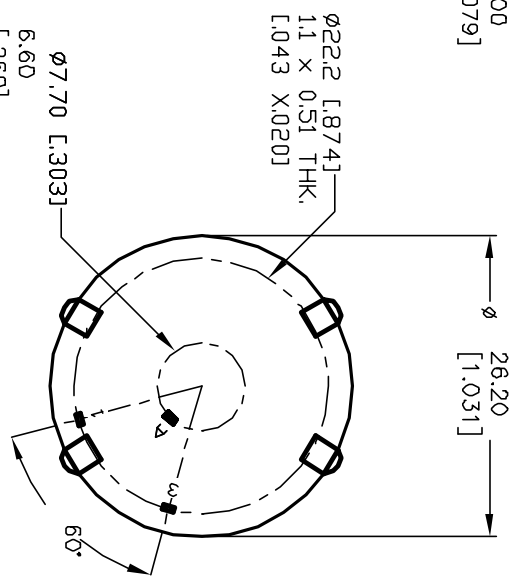
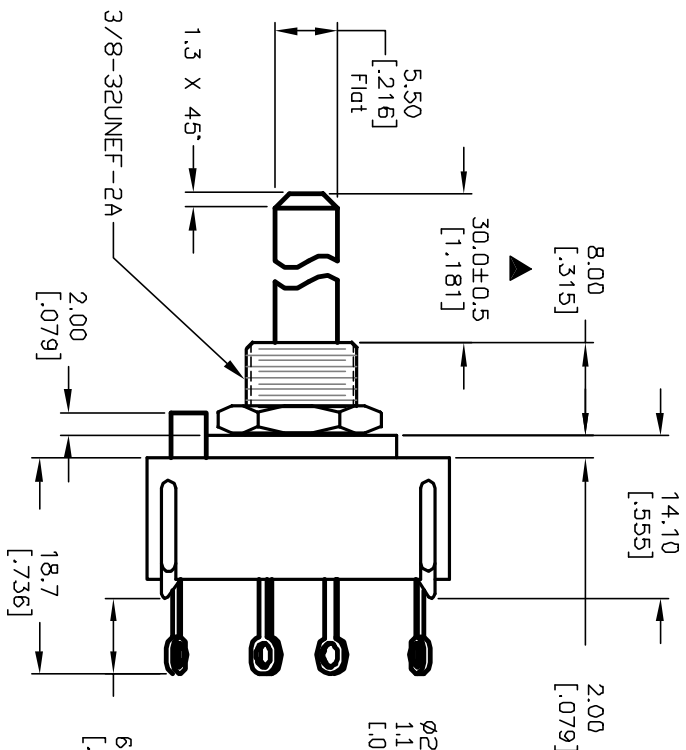
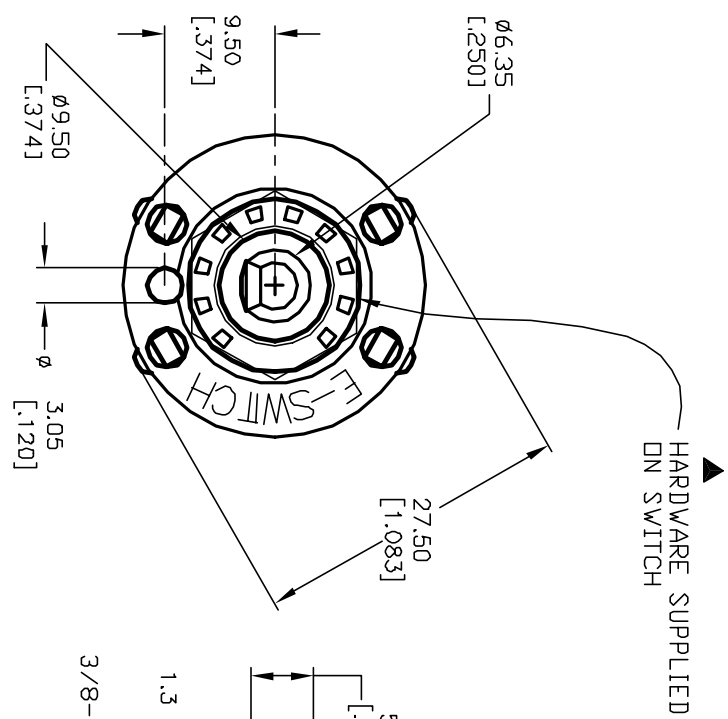
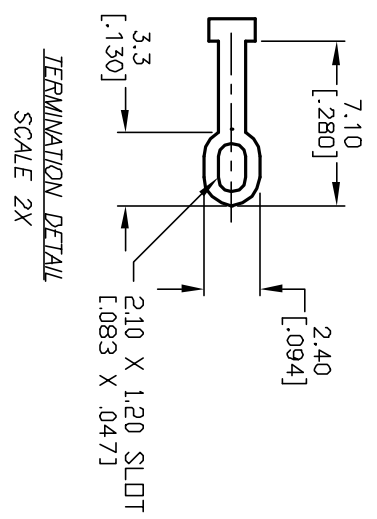


- NOTES:
1. ALL DIMENSION IN MM [INCH]
 2. GENERAL TOLERANCE: X.X=±0.4
X.XX=±0.25
 3. TERM. NOS. FOR REF. ONLY
 4. CONTACT RATING SWITCHING: 150mA, 250V AC/DC
350mA, 110V AC/DC
 5. CONTACT RATING (NON-SWITCHING) 5A
 6. OPERATING FORCE: 425±100 CM/STANDARD
 7. OPERATING TEMP: -30° to 85°C
 8. CIRCUIT SP: 2 POSITIONS, 60° INDEX.
 9. DIELECTRIC STRENGTH 1000V RMS min. @ SEA LEVEL
 10. DESIGNATE MAJOR DIMENSIONS
 11. HARDWARE SUPPLIED ON SWITCH - SEE BELOW
STOP RING, LOCKWASHER, & HEXNUT



CONTACT CONFIGURATION
TIMING: (BBM) Non-Shorting



B		TITLE		SCALE		DATE		DR		DWG		REV	
A		RELEASED FOR PRODUCTION		1.5:1		2/27/03		CJB		G527551		A	
REV.		DESCRIPTION		DATE		CHKD							
12855		E-SWITCH		2/27/03		CJB							
ECN No.													
<p>THE INFORMATION CONTAINED IN THIS DOCUMENT IS PROPRIETARY TO E-SWITCH AND IS NOT TO BE COPIED OR TRANSFERRED</p>													
<h1>E-SWITCH®</h1>													
<p>KC-53-A-(30.0mm) 01-N-L-S</p>													