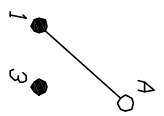
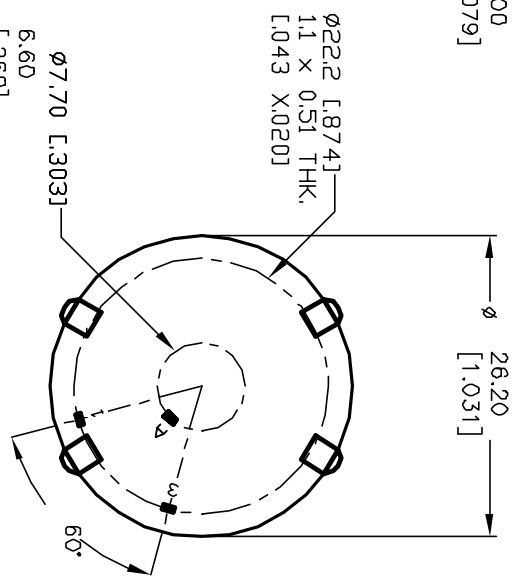
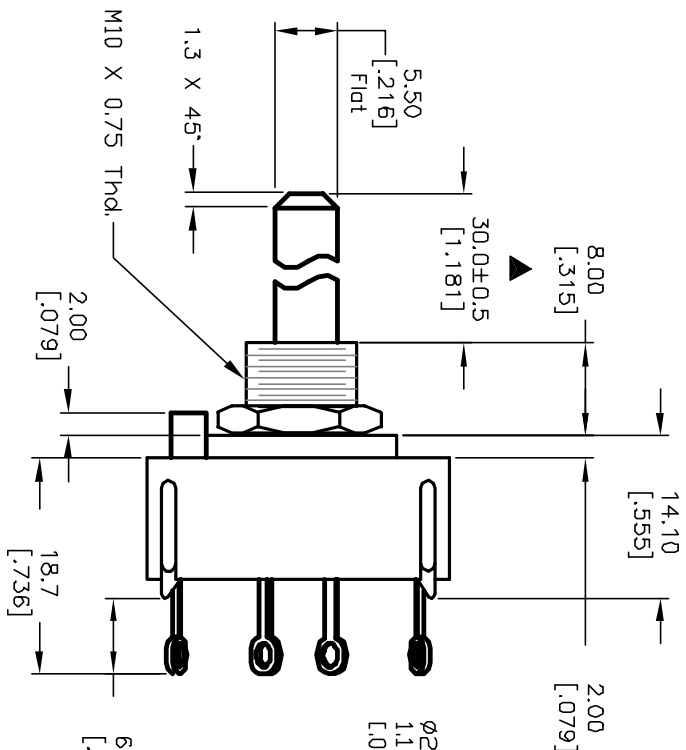
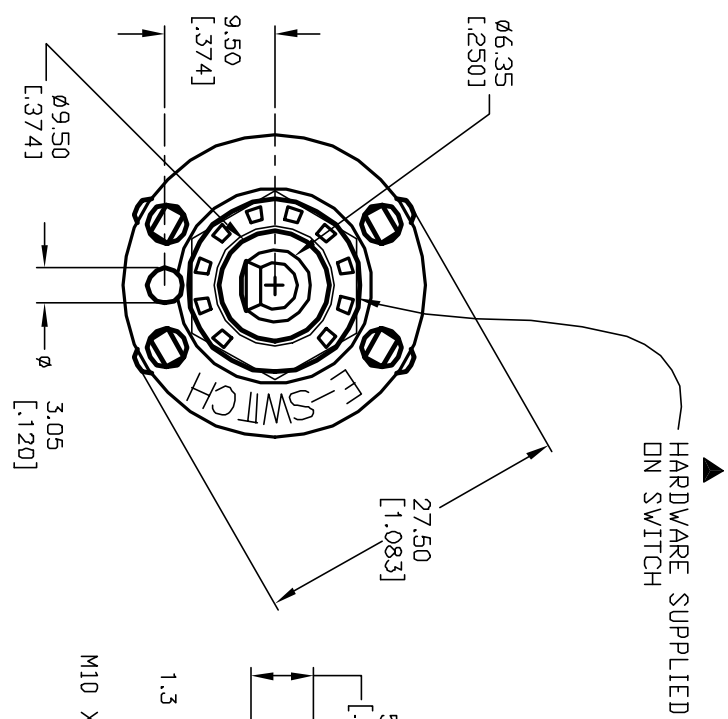
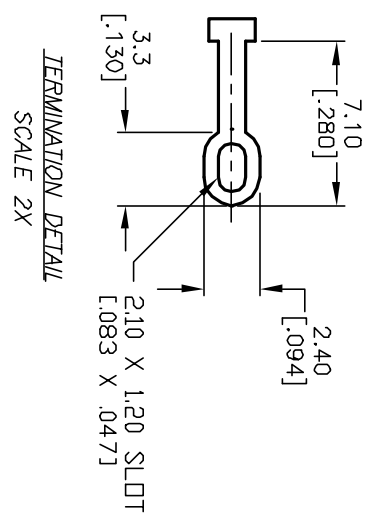


- NOTES:
1. ALL DIMENSION IN MM [INCH]
  2. GENERAL TOLERANCE: X.X=±0.4  
X.XX=±0.25
  3. TERM. NOS. FOR REF. ONLY
  4. CONTACT RATING SWITCHING: 150mA, 250V AC/DC  
350mA, 110V AC/DC
  5. CONTACT RATING (NON-SWITCHING) 5A
  6. OPERATING FORCE: 425±100 CM/STANDARD
  7. OPERATING TEMP: -30° to 85°C
  8. CIRCUIT SP: 2 POSITIONS, 60° INDEX.
  9. DIELECTRIC STRENGTH 1000V RMS min. @ SEA LEVEL
  10. DESIGNATE MAJOR DIMENSIONS
  11. HARDWARE SUPPLIED ON SWITCH - SEE BELOW  
STOP RING, LOCKWASHER, & HEXNUT



CONTACT CONFIGURATION  
TIMING: (BBM) Non-Shorting



|   |  |         |                           |          |      |                           |       |          |     |         |     |
|---|--|---------|---------------------------|----------|------|---------------------------|-------|----------|-----|---------|-----|
| B   |  | 12821   | REV DESC/ PER NEW CATALDG | 2/27/03  | CJB  | TITLE                     | SCALE | DATE     | DR  | DWG     | REV |
| A   |  | 11806   | RELEASED FOR PRODUCTION   | 10/30/01 | CJB  | KC-53-A-(30.0mm) 02-N-L-S | 1.5:1 | 10/30/01 | CJB | G527553 | B   |
| REV.  |  | ECN No. | DESCRIPTION               | DATE     | CHKD |                           |       |          |     |         |     |
| <p>THE INFORMATION CONTAINED IN THIS DOCUMENT IS PROPRIETARY TO E-SWITCH AND IS NOT TO BE COPIED OR TRANSFERRED</p> |  |         |                           |          |      |                           |       |          |     |         |     |

**E-SWITCH®**