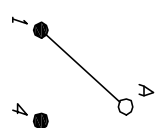
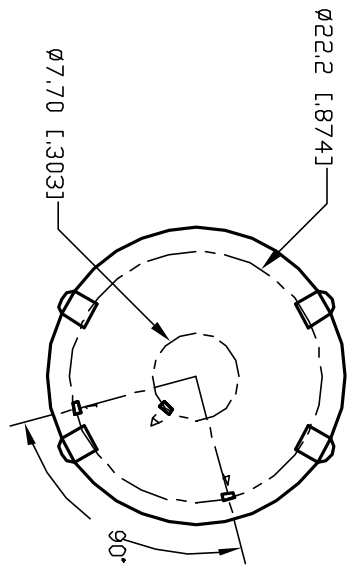
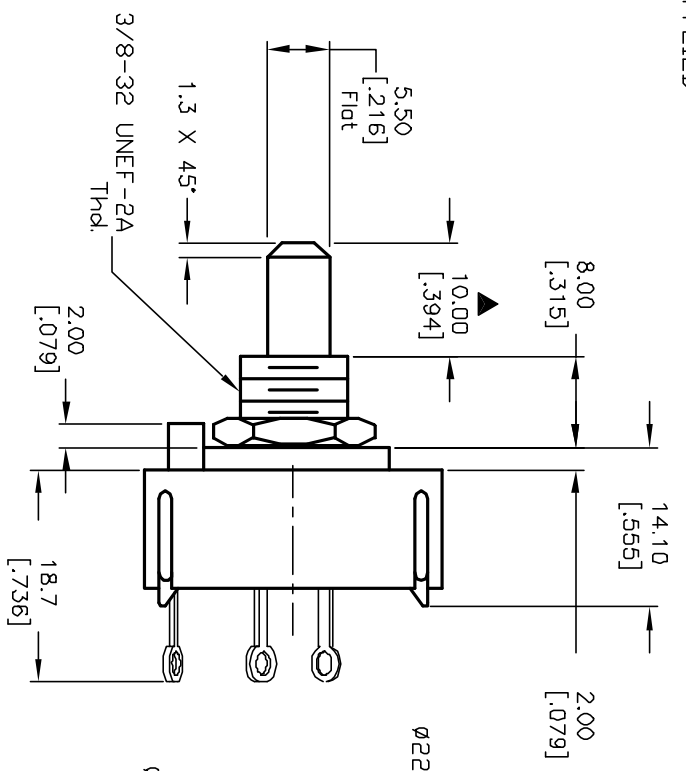
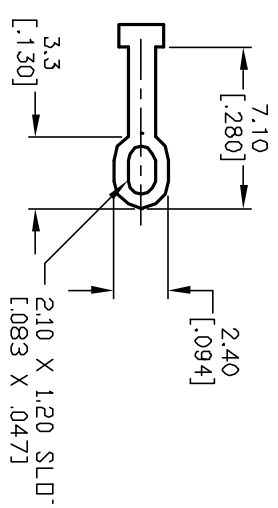


▲ HARDWARE SUPPLIED
DN SWITCH



CONTACT CONFIGURATION (BBM)



TERMINATION DETAIL
SCALE 2X

- NOTES:
1. ALL DIMENSION IN MM [INCH]
 2. GENERAL TOLERANCE: X.X=±0.4 X.XX=±0.25
 3. TERM. NOS. FOR REF. ONLY
 4. CONTACT RATING SWITCHING: 150mA, 250V AC/DC 350mA, 110V AC/DC
 5. OPERATING FORCE: 425±100 CM/STANDARD
 6. OPERATING TEMP: -30° to 85°C
 7. CIRCUIT SP: 2 POSITIONS, 90° INDEX.
 8. DIELECTRIC STRENGTH: 1000V RMS min. @Seq Level
 9. HARDWARE SUPPLIED ON SWITCH - SEE BELOW STOP RING, LOCKWASHER, & HEXNUT
 10. ▲ DENOTES CRITICAL PARAMETER.

A		13082	RELEASED FOR PRODUCTION	4/24/03	AR	TITLE		
REV.	ECN No.	DESCRIPTION		DATE	CHKD	KC54A10.001NLS		
THE INFORMATION CONTAINED IN THIS DOCUMENT IS PROPRIETARY TO E-SWITCH AND IS NOT TO BE COPIED OR TRANSFERRED						SCALE	DATE	DR
						1.5:1	4/24/03	DWG
								G527562
								REV
								A

E-SWITCH®