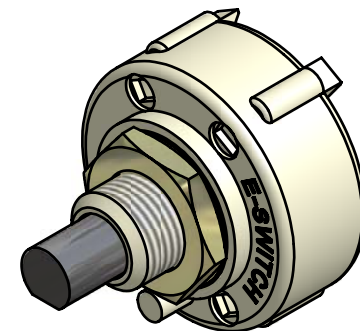
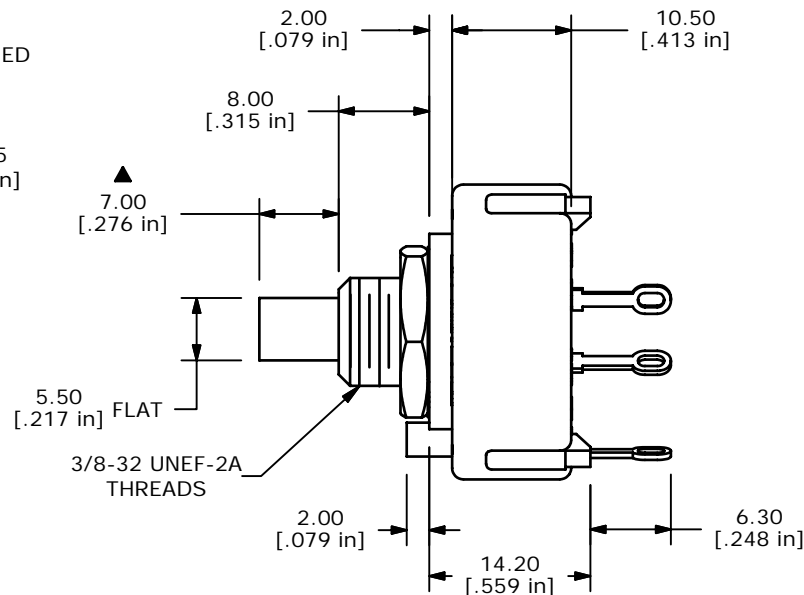
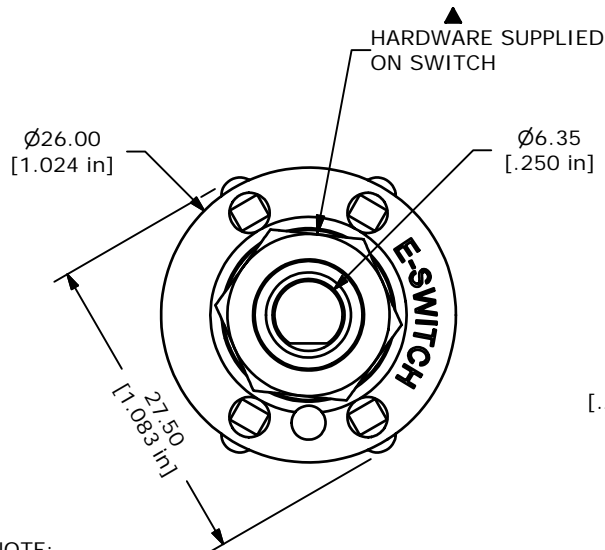
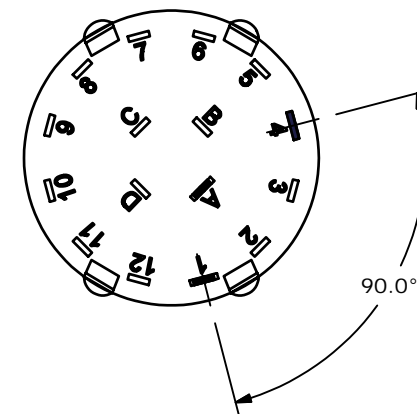




CONTACT CONFIGURATION
TIMING (BBM) NON-SHORTING



ISOMETRIC



NOTE:

1. ALL DIMENSIONS IN MM[INCH].
2. GENERAL TOLERANCE: X.X=±0.4
X.XX=±0.25
3. TERM. NOS. FOR REFERENCE ONLY.
- ▲ 4. CONTACT MATERIAL: SILVER
5. CONTACT RATING: 0.3A, 125VAC
6. OPERATING FORCE 800±300GM-CM/STANDARD
7. OPERATING TEMP: -30°C TO 85°C
- ▲ 8. CIRCUIT SP: 2 POSITION 90° INDEX.
9. DIELECTRIC STRENGTH: 500VAC - 1 MIN
- ▲ 10. HARDWARE SUPPLIED ON SWITCH:
LOCKWASHER, HEXNUT, STOP RING
11. ▲ DENOTES CRITICAL PARAMETER.
12. 2002/95/EC (ROHS) COMPLIANT

E-SWITCH®

| | | | | |
|-----|--------|----------------------------|--------|----|
| B | 16120 | UPDATE TERMINALS AND NOTES | 6/8/06 | CT |
| A | 16073 | RELEASED FOR PRODUCTION | 6/1/06 | CT |
| REV | PCR NO | DESCRIPTION | DATE | BY |

| | | | | |
|---------------------|----------|----|---------|-----|
| TITLE KC54A7.001NLS | | | | |
| SCALE | DATE | DR | DWG | REV |
| 1.5:1 | 6/1/2006 | CT | G527564 | B |

THE INFORMATION CONTAINED IN THIS DOCUMENT IS PROPRIETARY TO E-SWITCH AND IS NOT TO BE COPIED OR TRANSFERRED