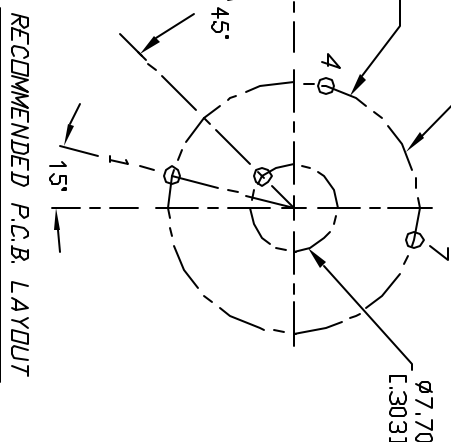


CONTACT CONFIGURATION
Timing: Non-Shorting



- NOTES:
1. ALL DIMENSION IN MM [INCH]
 2. GENERAL TOLERANCE: X.X=±0.4
X.XX=±0.25
 3. CONTACT RATING SWITCHING: 150mA, 250V AC/DC
350mA, 110V AC/DC
 4. CONTACT RATING (NON-SWITCHING) 5A
 5. CONTACT: GOLD FLASH over Silver plated.
 6. OPERATING FORCE: 425±100 CM/STANDARD
 7. OPERATING TEMP: -30° to 85°C
 8. CIRCUIT SP: 3 POSITIONS, 90° INDEX.
 9. DIELECTRIC STRENGTH 1000V RMS min.@ SEA LEVEL.
 10. ▲ DENOTES CRITICAL PARAMETER.
 11. ▲ HARDWARE SUPPLIED ON SWITCH-STOP RING, LOCKWASHER, & LOCKNUT

REV.	ECN No.	DESCRIPTION	DATE	CHKD
A	13254	RELEASED FOR PRODUCTION	6/27/03	AR

TITLE	SCALE	DATE	DR	DWG	REV
KC56A30.001NPF	1.5:1	6/27/03	AR	G510993	A

E-SWITCH®

THE INFORMATION CONTAINED IN THIS DOCUMENT IS PROPRIETARY TO E-SWITCH AND IS NOT TO BE COPIED OR TRANSFERRED