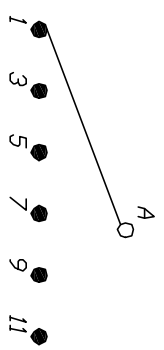
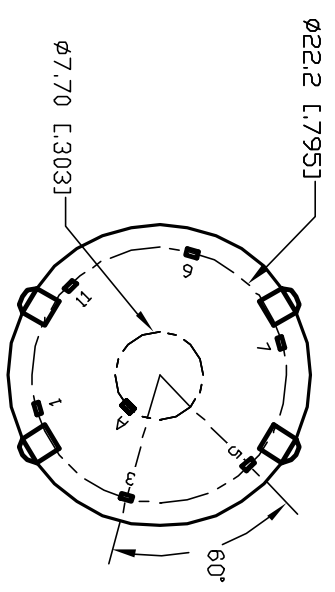
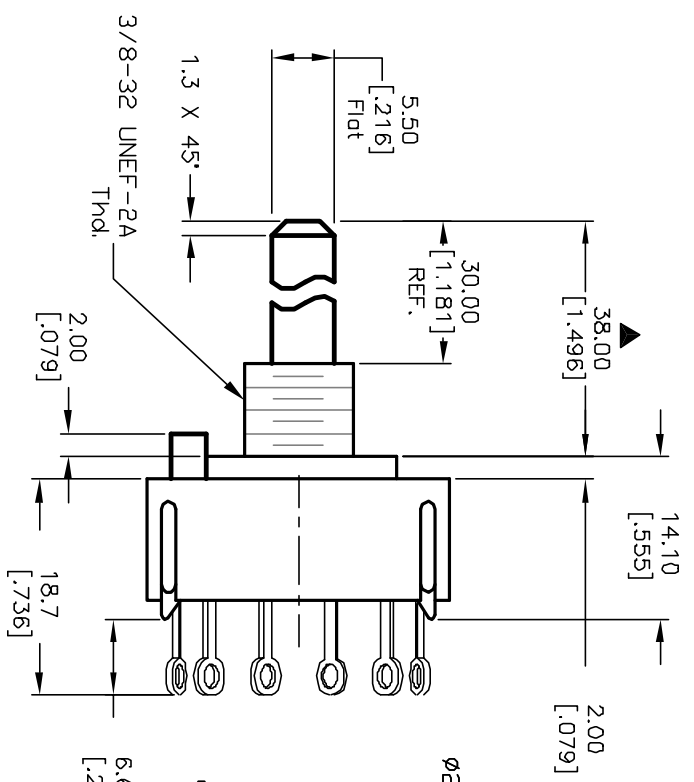
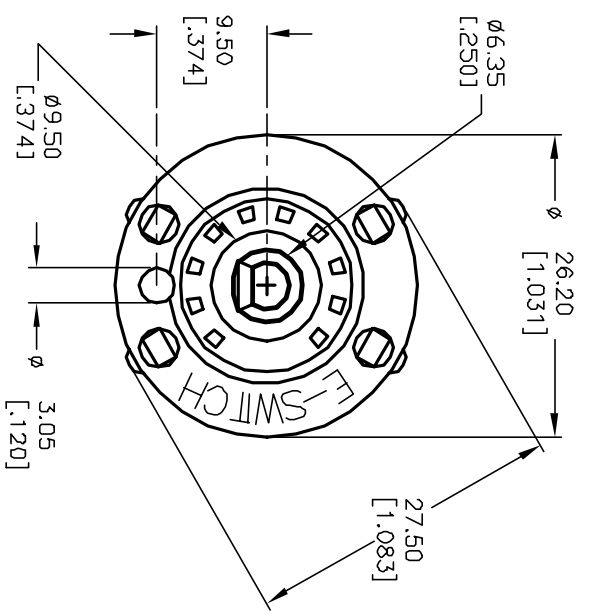
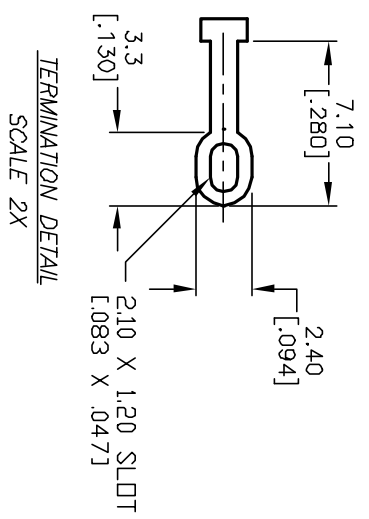


- NOTES:
1. ALL DIMENSION IN MM [INCH]
 2. GENERAL TOLERANCE: X.X=±0.4
X.XX=±0.25
 3. TERM. NOS. FOR REF. ONLY
 4. CONTACT RATING SWITCHING: 150mA, 250V AC/DC
350mA, 110V AC/DC
 5. CONTACT RATING (NON-SWITCHING) 5A
 6. OPERATING FORCE: 425±100 CM/STANDARD
 7. OPERATING TEMP: -30° to 85°C
 - ▲ 8. CIRCUIT SP: 6 POSITIONS, 60° INDEX.
 - ▲ 9. DIELECTRIC STRENGTH 1000V RMS min. @ SEA LEVEL
 - ▲ 10. DESIGNATE MAJOR DIMENSIONS
 11. SUPPLIED HARDWARE: LOCK NUT AND WASHER (NOT SHOWN).



CONTACT CONFIGURATION
Timing: Non-Shorting



B	12616	REV DESC/ PER NEW CATALDG	12/5/02	CJB
A	11399	RELEASED FOR PRODUCTION	4/9/01	CJB
REV.	ECN No.	DESCRIPTION	DATE	CHKD

TITLE		SCALE	DATE	DR	DWG	REV
KC-60-A (30.0mm) 01-N-L-S		1.5:1	4/9/01	CJB	G510596	B

E-SWITCH®

THE INFORMATION CONTAINED IN THIS DOCUMENT IS PROPRIETARY TO E-SWITCH AND IS NOT TO BE COPIED OR TRANSFERRED