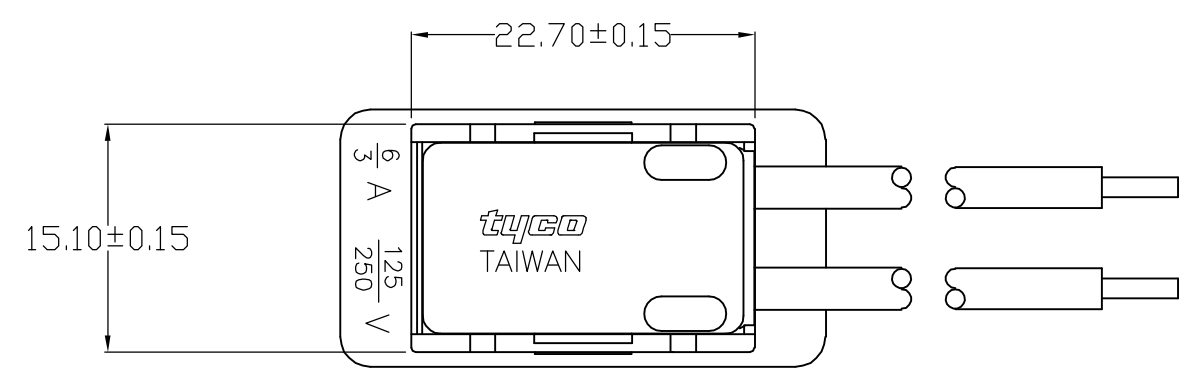
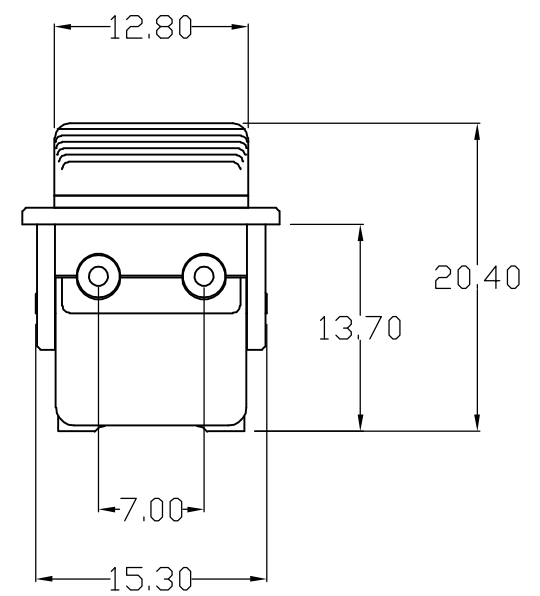
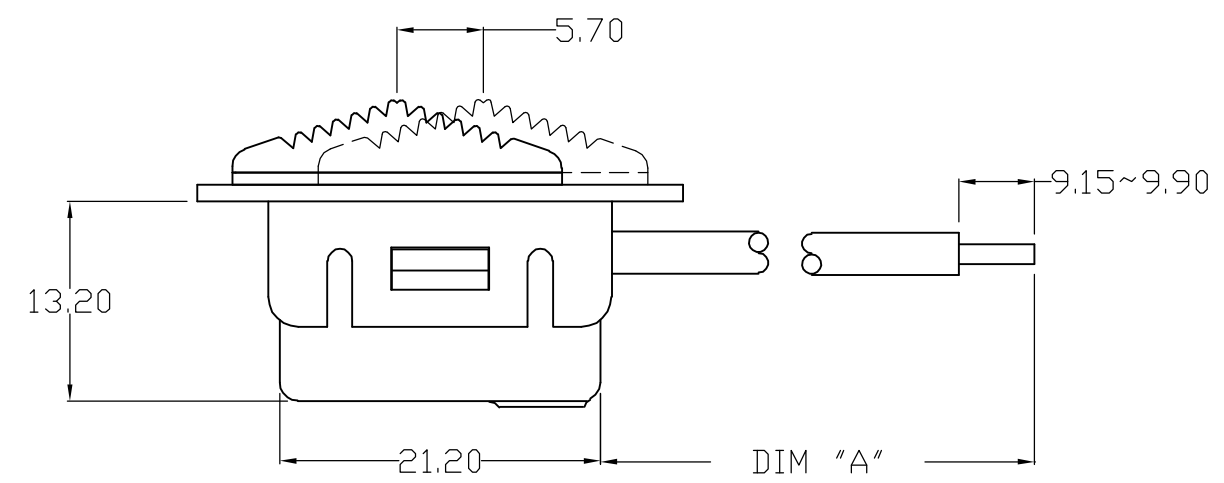
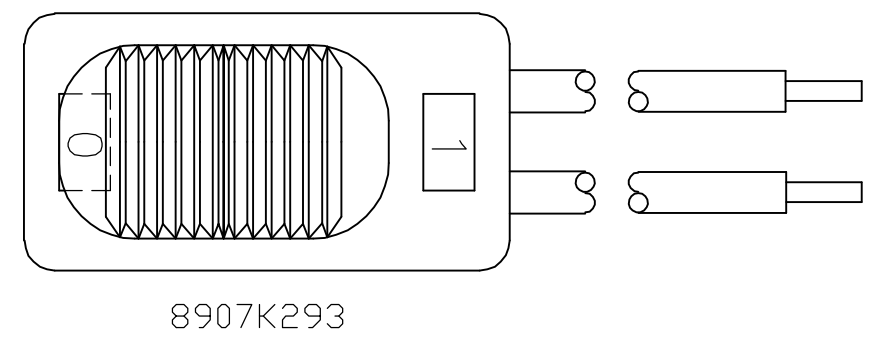
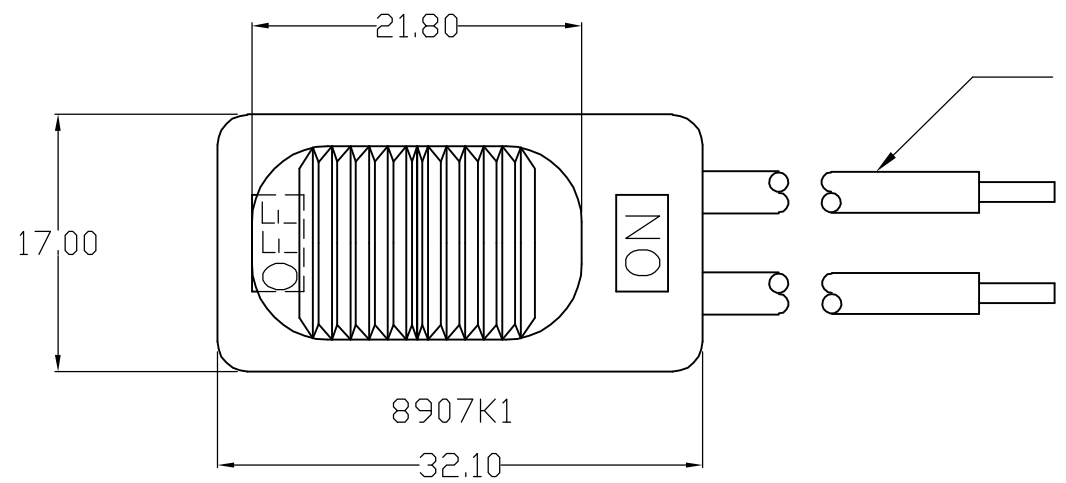


THIS DRAWING IS UNPUBLISHED. RELEASED FOR PUBLICATION  
 © COPYRIGHT BY TYCO ELECTRONICS CORPORATION. ALL RIGHTS RESERVED.

LOC	DIST	REVISIONS					
		P	LTR	DESCRIPTION	DATE	DWN	APVD
ES	00		B	EC0G3G-0220-02	08AUG02	WL	
			B	ECR-06-013975	09JUNE06	KW	MS



- UNLESS OTHERWISE SPECIFIED ALL TOLERANCES TO BE ±0.3MM ANGLES ±2°
- WIRE USE UL 1015 18 AWG RATED 105°C 600 VOLTS BLACK VINYL INSULATION OVER DIAMETER  $\phi 2.8 \pm 0.1$
- SWITCH SHOWN IN ON POSITION
- P/N 6520160-1 IS ROHS COMPLIANT VERSION OF 1520160-1.
- P/N 6520160-2 IS ROHS COMPLIANT VERSION OF 1520160-2.

6520160-2	8907K293	44.45~38.10
6520160-1	8907K1	82.55~69.85
1520160-2	8907K293	44.45~38.10
1520160-1	8907K1	82.55~69.85
TYCO NO.	ARAB NO.	DIM "A"

THIS DRAWING IS A CONTROLLED DOCUMENT.	
DIMENSIONS: mm	TOLERANCES UNLESS OTHERWISE SPECIFIED:
	0 PLC ± -
	1 PLC ± -
	2 PLC ± -
	3 PLC ± -
	4 PLC ± -
	ANGLES ± -
MATERIAL	FINISH
-	-

DWN K.WANG 09JUNE06	<b>tyco</b> Electronics	Tyco Electronics Corporation Shanghai, CHINA	
CHK K.WANG 09JUNE06		NAME PORTER CABLE SLIDE SWITCH	
APVD M.SHINDO 09JUNE06	PRODUCT SPEC	APPLICATION SPEC	RESTRICTED TO
SIZE A3	CAGE CODE 00779	DRAWING NO. C-1520160	SCALE 1:1
CUSTOMER DRAWING		SHEET 1 OF 1	REV B

91-555