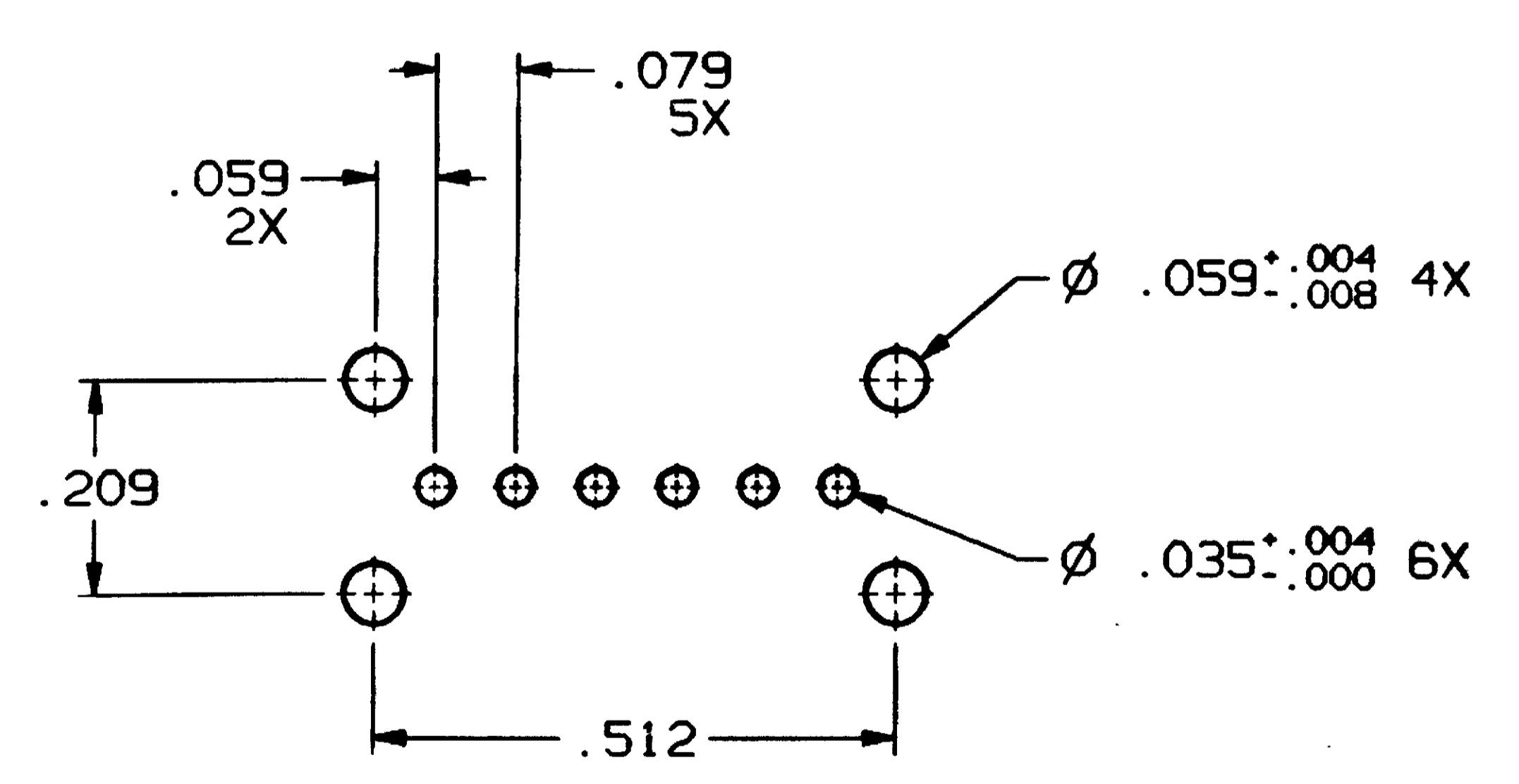
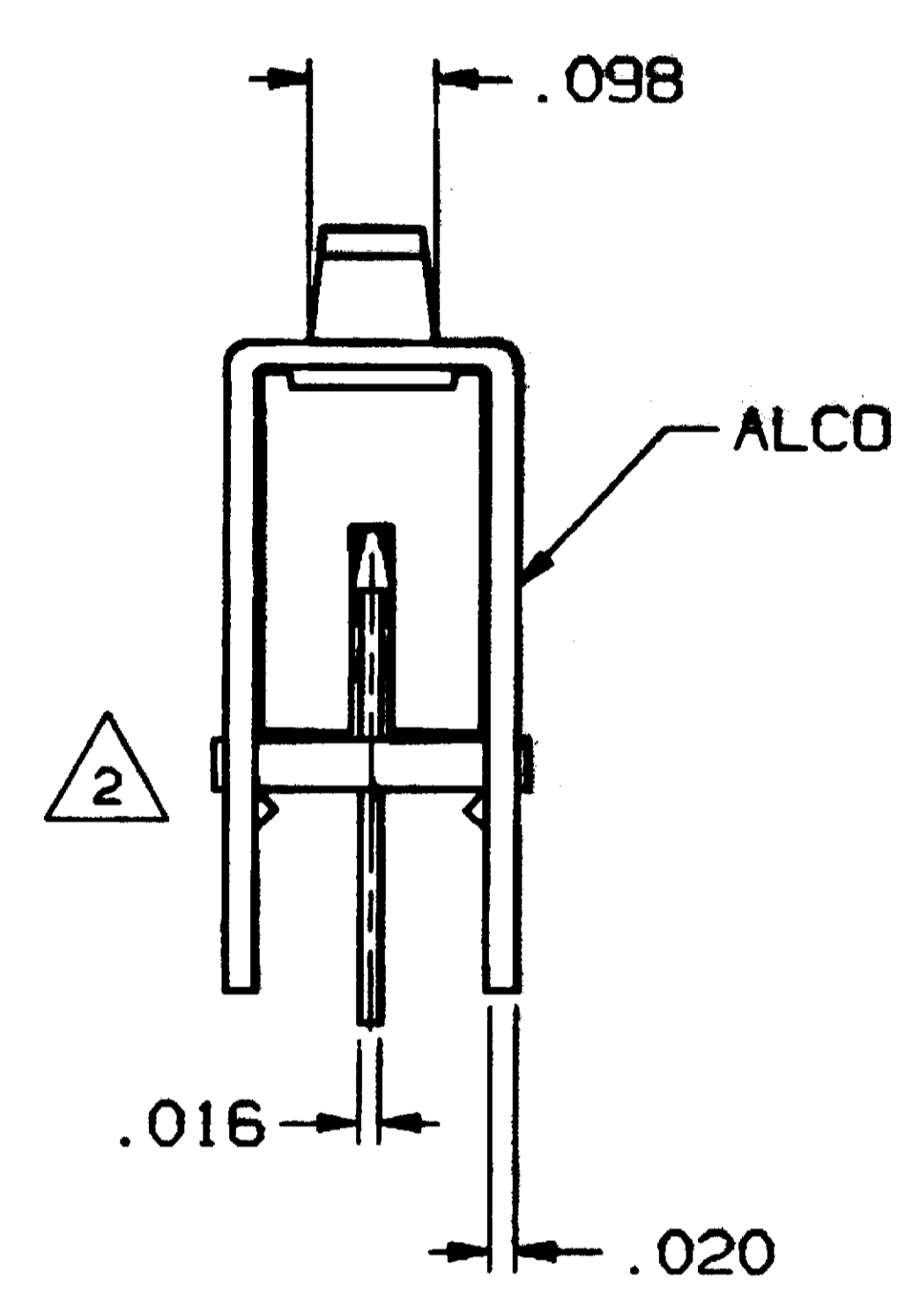
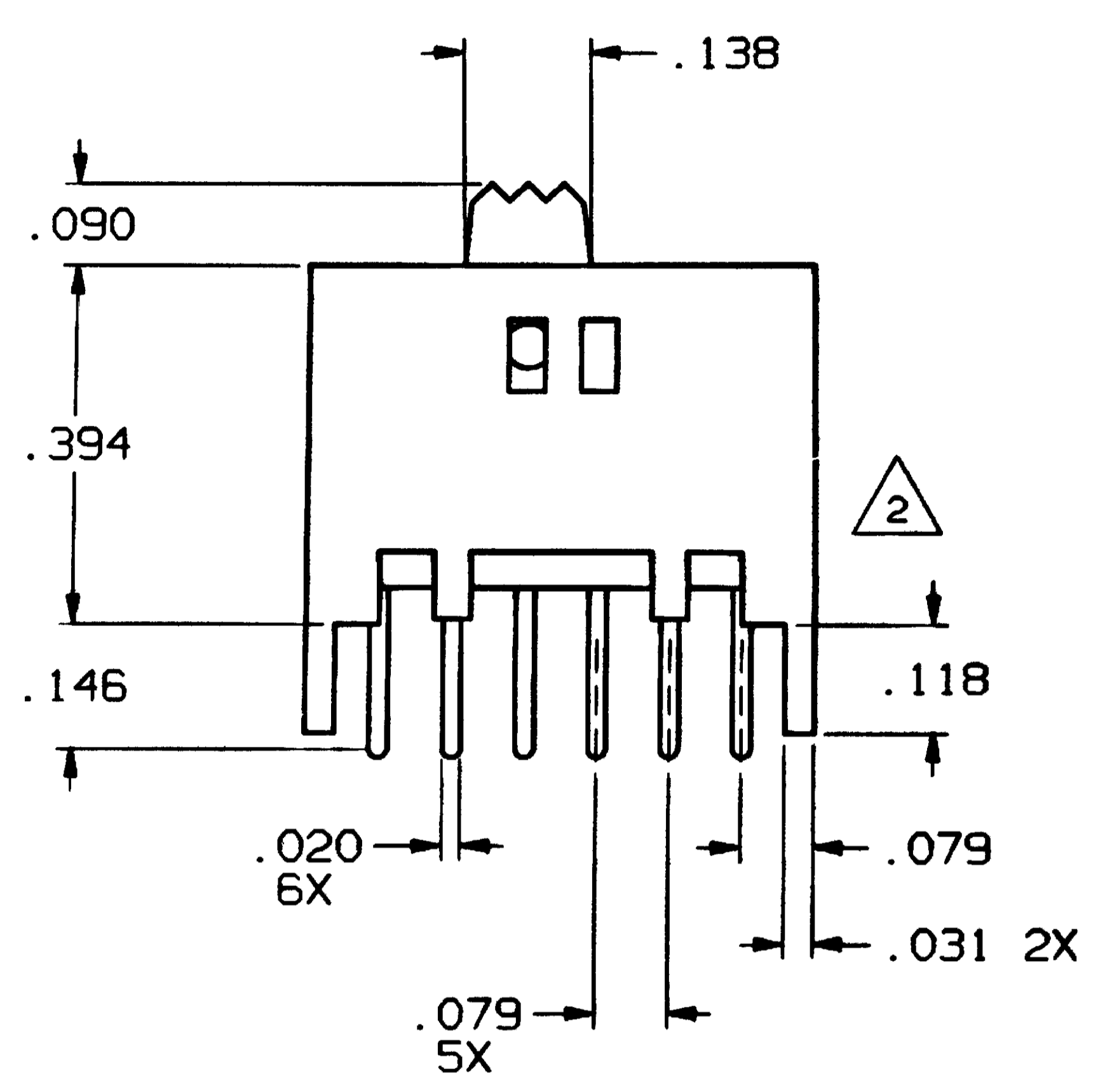
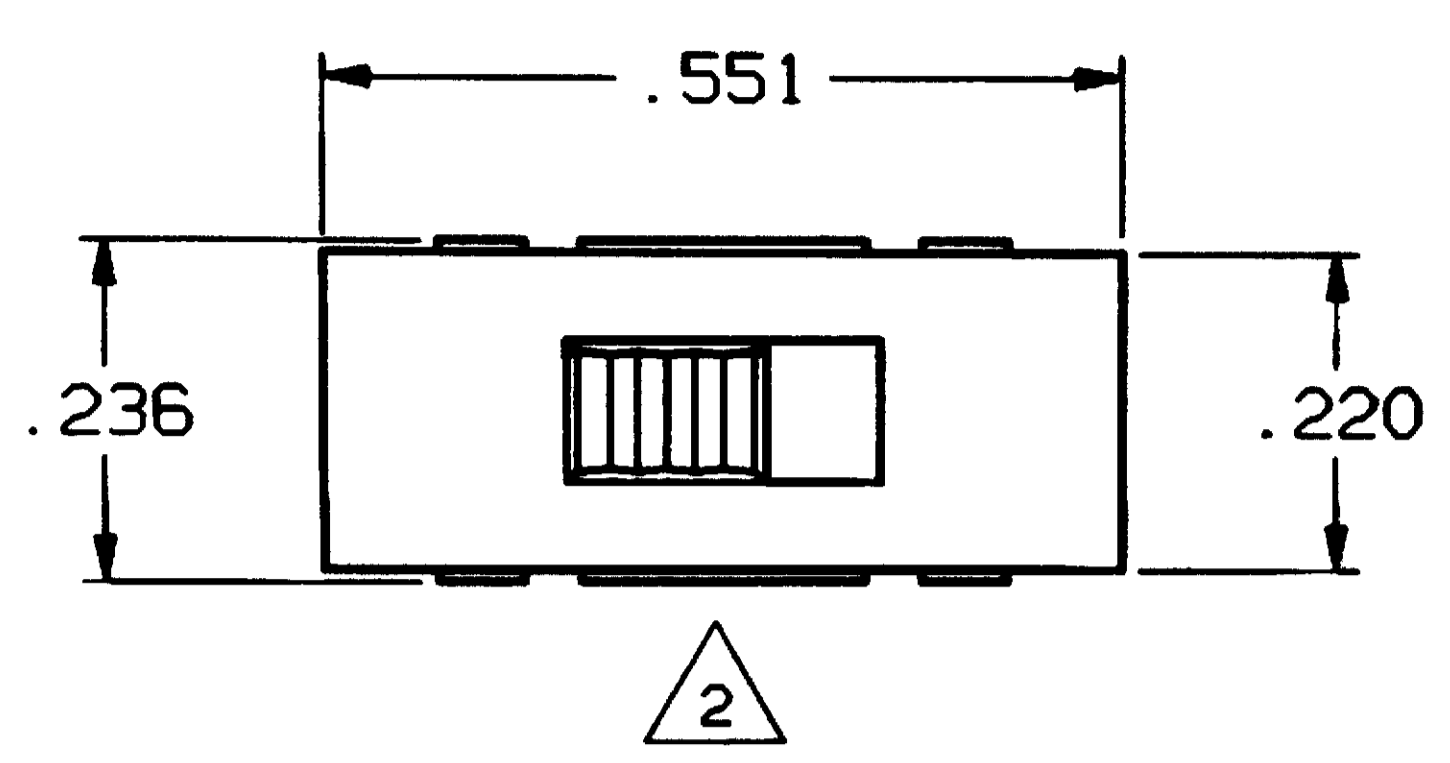


CONVERSION CHART	
INCH	MM
.004	0.10
.008	0.20
.010	0.25
.016	0.40
.020	0.50
.031	0.79
.035	0.90
.059	1.50
.079	2.00
.090	2.29
.098	2.50
.118	3.00
.138	3.50
.146	3.71
.209	5.30
.220	5.59
.236	5.99
.394	10.00
.551	14.00



P.C. HOLE LAYOUT
TOLERANCE = ±.004

1 SPECIFICATIONS:

MATERIALS:
 FRAME: STEEL, TIN PLATED.
 ACTUATOR: PBT 94V-0.
 MOVABLE CONTACT: GOLD PLATED OVER NICKEL.
 STATIONARY CONTACT: GOLD PLATED OVER NICKEL.
 TERMINALS: GOLD PLATED OVER NICKEL.

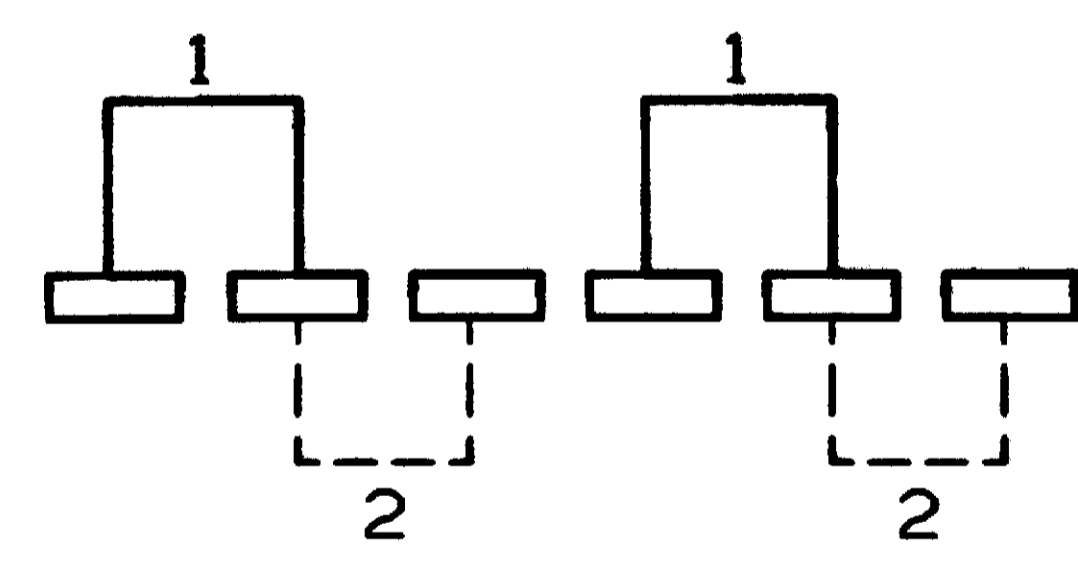
ELECTRICAL:
 CONTACT RATING: 0.4 VA MAX. @ 20 VDC OR PEAK AC.
 INITIAL CONTACT RESISTANCE: 20 MILLIOHMS MAX., INITIAL.
 INSULATION RESISTANCE: 1,000 MΩ MIN. AT 500 VDC.
 DIELECTRIC STRENGTH: 500 VOLTS RMS AT SEA LEVEL.
 LIFE: 10,000 OPERATIONS.

MECHANICAL:
 OPERATING FORCE: 100g TO 600g.

ENVIRONMENTAL:
 OPERATING TEMPERATURE: -20°C TO +85°C (-4°F TO +185°F).
 STORAGE TEMPERATURE: -40°C TO +100°C (-40°F TO +212°F).

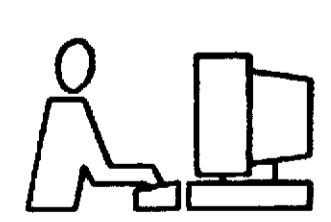
1 NOTES:

1. INTERPRET DRAWING PER ASME Y14.5M-1994.
2. TRAVEL BETWEEN POSITIONS .079.



SCHEMATIC

THIS IS A C.A.D. GENERATED DRAWING.
DO NOT MAKE MANUAL REVISIONS TO MASTER.



REV	A	B	C	D	O	1	2
REVISIONS	ESR#2200	ECOM#2774 1-8-88	ECOM#2815 PWS/CF 3-21-88	ECOM#3102 TH/CF 4-3-89	ECOM#3884 11-30-90 DS	REVISED ECOM#392-95 S. KIRCORIAN 5-15-95 APP'D: M. LEPAGE 6-8-95	REVISED ECOM# 801-95 L.S. 11-6-95 APP'D: <i>[Signature]</i> 11-8-95

1 OUTLINE DRAWING
SPECIFICATIONS ARE SUBJECT TO CHANGES WITHOUT NOTICE

<p>THIRD ANGLE PROJECTION</p>	UNLESS OTHERWISE SPECIFIED DIMENSIONS ARE IN INCHES DO NOT SCALE PRINT		ORIGINAL DATE OF DRAWING: 7/86	
	TOLERANCES (EXCEPT AS NOTED) ANGULAR = ±1° DECIMAL .XX = ± DECIMAL .XXX = ±.010 DECIMAL .XXXX = ±	FILE NAME: 80739OUT	DIRECTORY: SLOSWTCH	DRAWN: T.H.
AUGAT CONFIDENTIAL This document contains information which is the exclusive property of Augat Inc. Distribution, reproduction or use by others is not permitted without the expressed written consent of Augat Inc.	MATERIAL: SEE SPECIFICATIONS		CHECKED:	DATE:
	FINISH: SEE SPECIFICATIONS		APPROVED: M. LEPAGE	DATE: 6-8-95
		CODE IDENT. NO. 91506	DWG. SIZE C	DWG. NO. 80739-SD
		NEXT ASSY:	SCALE:	REV. 2

AUGAT INC. 452 JOHN DIETSCH BLVD. ATTLEBORO FALLS, MASS. 02763	
TITLE: OUTLINE DRAWING SLIDE SWITCH (MSS2200G)	
DWG. NO. 80739-SD	REV. 2
PRODUCT CODE: C15	SHEET 1 OF 1