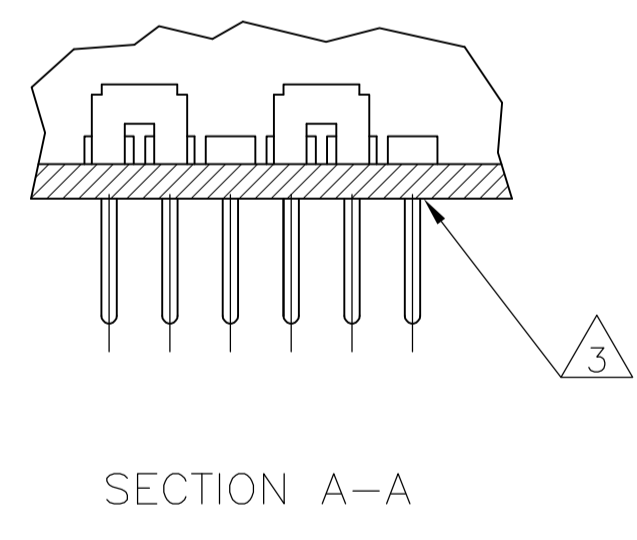
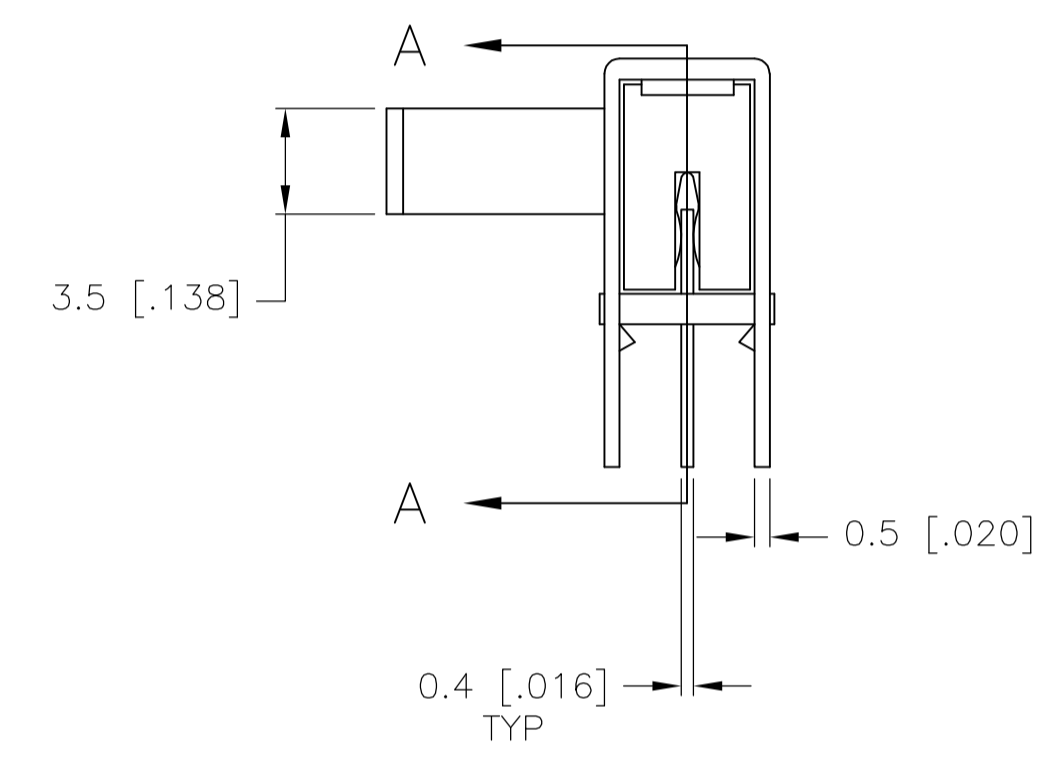


RECOMMENDED P.C. BOARD LAYOUT



SPECIFICATIONS
 MAKE-BEFORE-BREAK

MATERIALS:
 ACTUATOR- POM, UL94HB BLACK
 TERMINAL BOARD- PHENOLIC LAMINATED SHEET, UL94HB, NATURAL
 FRAME- STEEL, NICKEL PLATE
 TERMINAL/FIXED CONTACT- COPPER ALLOY, GOLD OR SILVER OVER NICKEL PLATE
 MOVING CONTACT- COPPER ALLOY, GOLD OR SILVER OVER NICKEL PLATE
 DETENT BALL- STEEL
 COIL SPRING- GALVANIZED SPRING WIRE
 SEAL- EPOXY

ELECTRICAL:
 CONTACT RATING- .4VA@20VDC OR PEAK AC (GOLD); 300mA@125V AC (SILVER)
 INITIAL CONTACT RESISTANCE- 30 milliohm max.
 FINAL CONTACT RESISTANCE- 100 milliohm max. (AFTER TEST)
 INSULATION RESISTANCE- 1,000 Megohms min.
 DIELECTRIC STRENGTH- 500V RMS@SEA LEVEL
 LIFE EXPECTANCY- 15,000 CYCLES MIN.

MECHANICAL:
 ACTUATION FORCE- 600+/-300 GRAMS
 TRAVEL- 2.0 +/- .50 (.079 +/- .020)

ENVIRONMENTAL:
 OPERATING TEMPERATURE- -20 TO +85 DEGREES C
 STORAGE TEMPERATURE- -40 TO +100 DEGREES C
 RESISTANCE TO SOLDER HEAT PER 109-202, CONDITION B
 SOLDERABILITY PER EIA-364-52, CLASS 2, CATEGORY 1, 95% MIN COVERAGE

NOTES:

- MARK PER 202-37 SPECIFICATION, *tyco*/CHINA MINIMUM REQUIREMENT
- ALL MATERIALS AND FINISHES SHALL COMPLY WITH EU DIRECTIVE 2002/95/EC OF 27JAN2003 (ROHS)
- ANTI SOLDER WICK SEAL AT TERMINAL TO BOARD INTERFACE
- ALL PERFORMANCE TESTING WAS DONE IN ACCORDANCE TO TE SPECIFICATION 102-2469

1571630-3	MSS2250RG04	GOLD	9.5(.374)	2 TO 1 5 TO 4	2 TO 3 5 TO 6
1571630-2	MSS2250R04	SILVER	9.5(.374)	2 TO 1 5 TO 4	2 TO 3 5 TO 6
1571630-1	MSS2250RSA04	SILVER	3.2(.126)	2 TO 1 5 TO 4	2 TO 3 5 TO 6
TE PART NO.	T&B PART NO.	PLATING	A		

TERMINALS CONNECTED WHEN SLIDE IS IN POSITION SHOWN.

THIS DRAWING IS A CONTROLLED DOCUMENT.		DIN R BROWN 20DEC05	Tyco Electronics Corporation Harrisburg, PA 17105-3608	
DIMENSIONS: mm		CHK M SARVER 20DEC05	NAME SLIDE SWITCH, MSS 2250R SERIES, DP-DT, RIGHT ANGLE	
TOLERANCES UNLESS OTHERWISE SPECIFIED:		APPV M SARVER 20DEC05	PRODUCT SPEC	
0 PLC ± -		APPLICATION SPEC		
1 PLC ± 0.3 [.012]		SIZE A1		
2 PLC ± -		CAGE CODE 00779		
3 PLC ± -		DRAWING NO. 1571630		
4 PLC ± -		RESTRICTED TO		
ANGLES ± -		WEIGHT		
MATERIAL		CUSTOMER DRAWING		
FINISH		SCALE 4:1 SHEET 1 OF 1 REV G1		