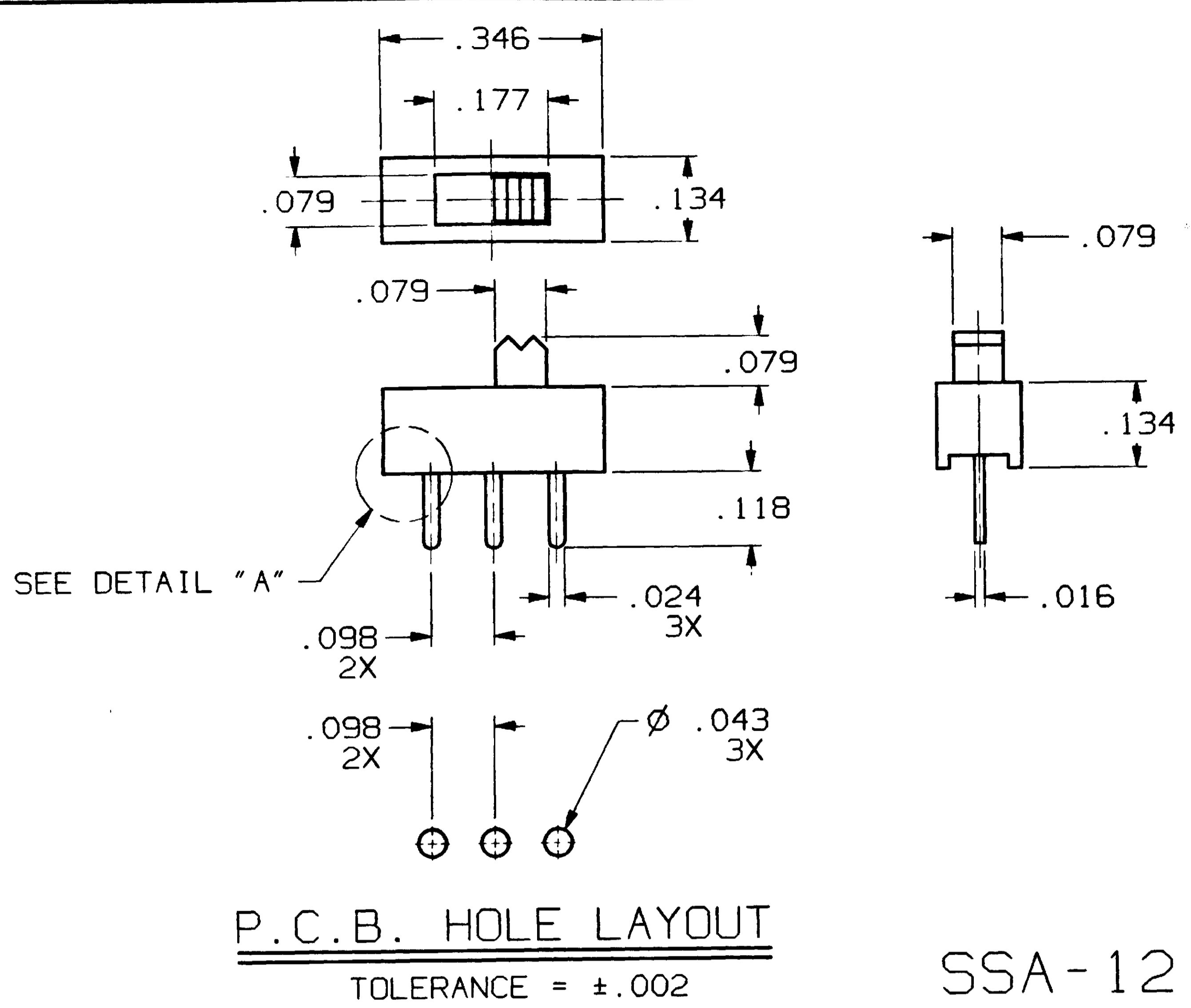
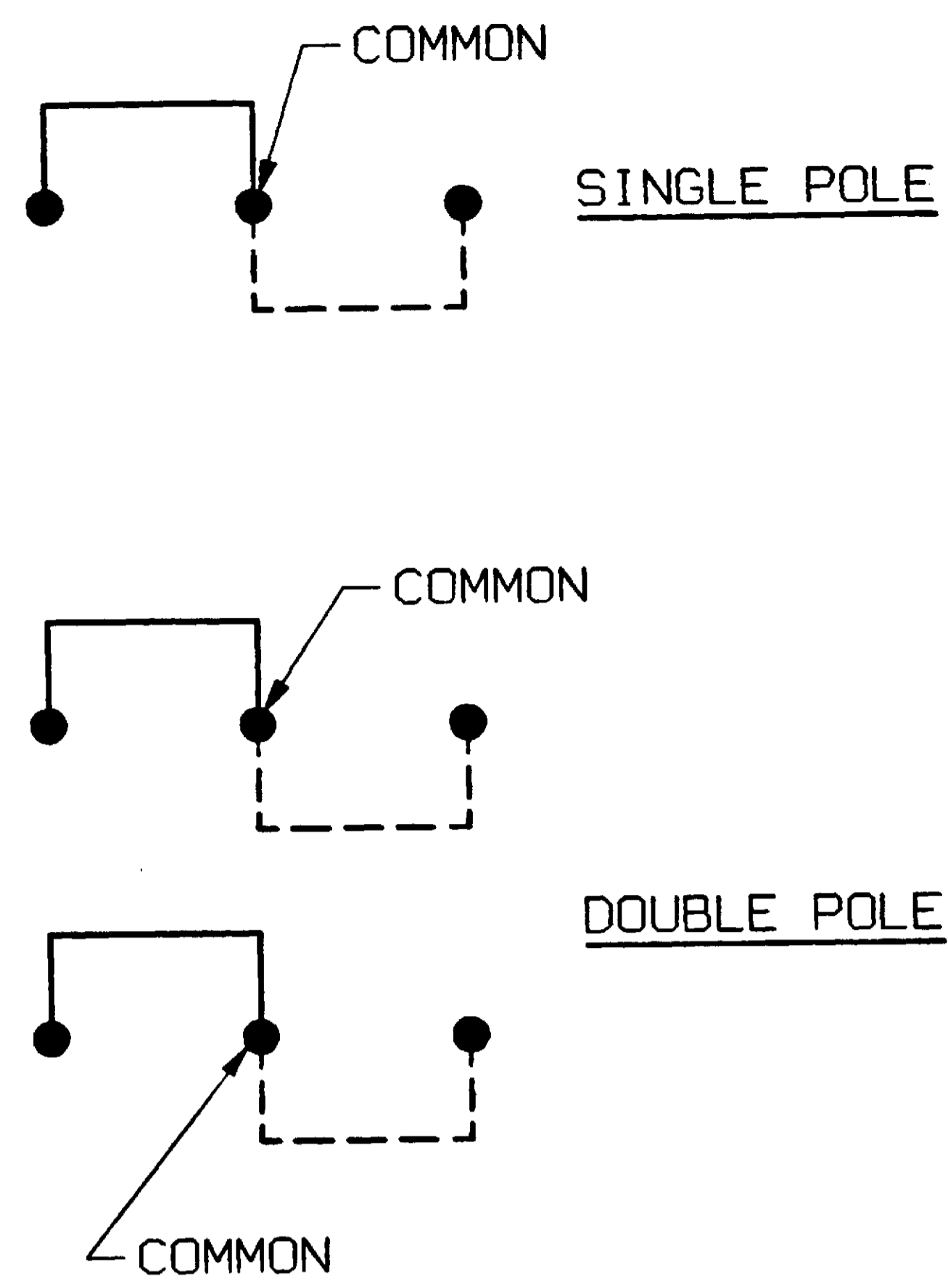


4 3 2 1

CONVERSION CHART	
INCH	MM
.002	0.05
.005	0.13
.010	0.25
.016	0.40
.024	0.69
.043	1.1
.079	2.00
.098	2.5
.118	3.0
.134	3.4
.138	3.5
.157	4.0
.161	4.1
.177	4.5
.217	5.5
.346	8.8
.354	9.0



**CONTACT DIAGRAM**



**SPECIFICATIONS:**

**MATERIALS:**  
CASE: POLYESTER.  
ACTUATOR: POLYAMIDE.  
MOVABLE CONTACT: SEE BELOW.  
STATIONARY CONTACT: SEE BELOW.  
TERMINALS: SEE BELOW.  
TERMINAL SEAL: EPOXY.

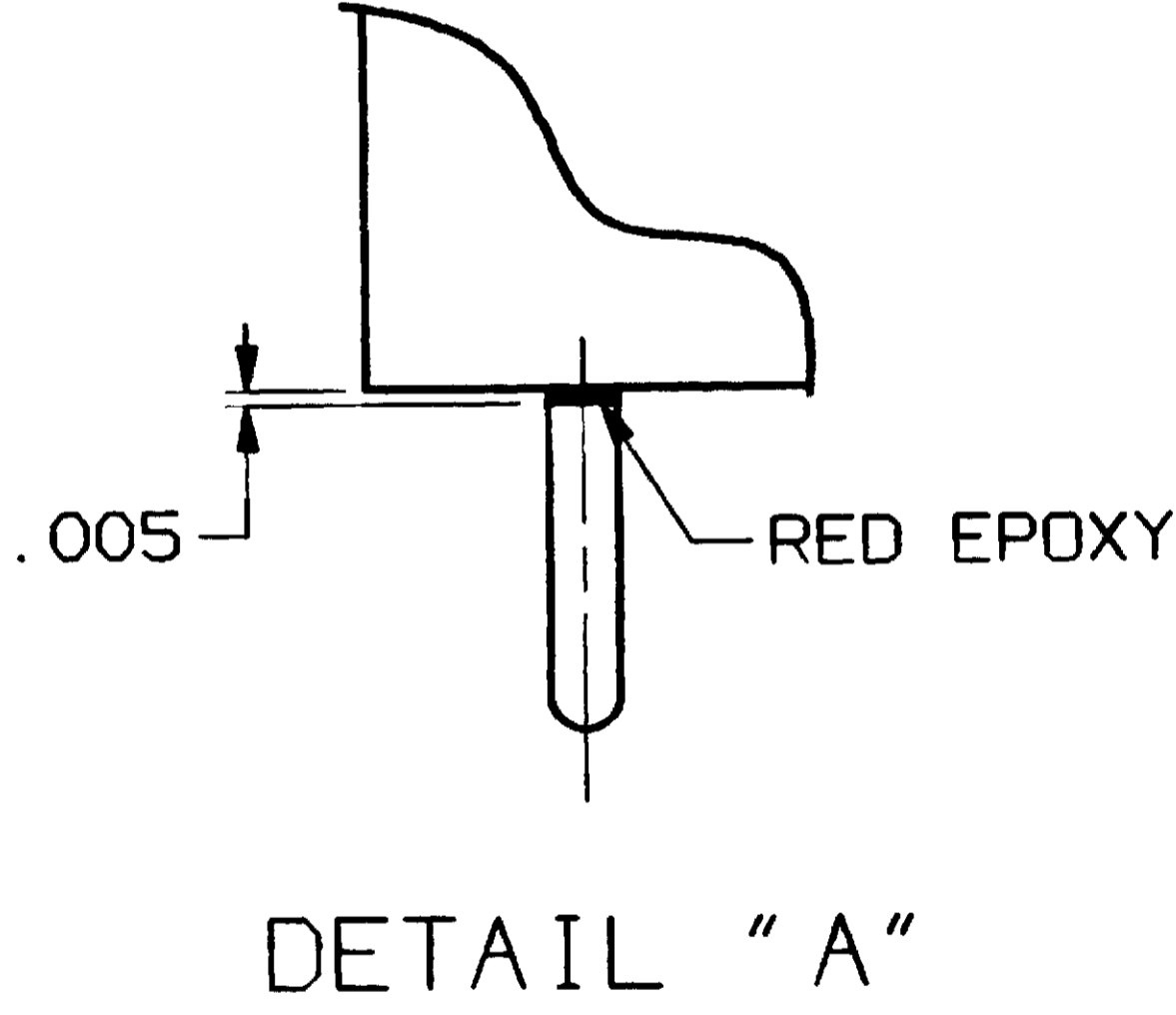
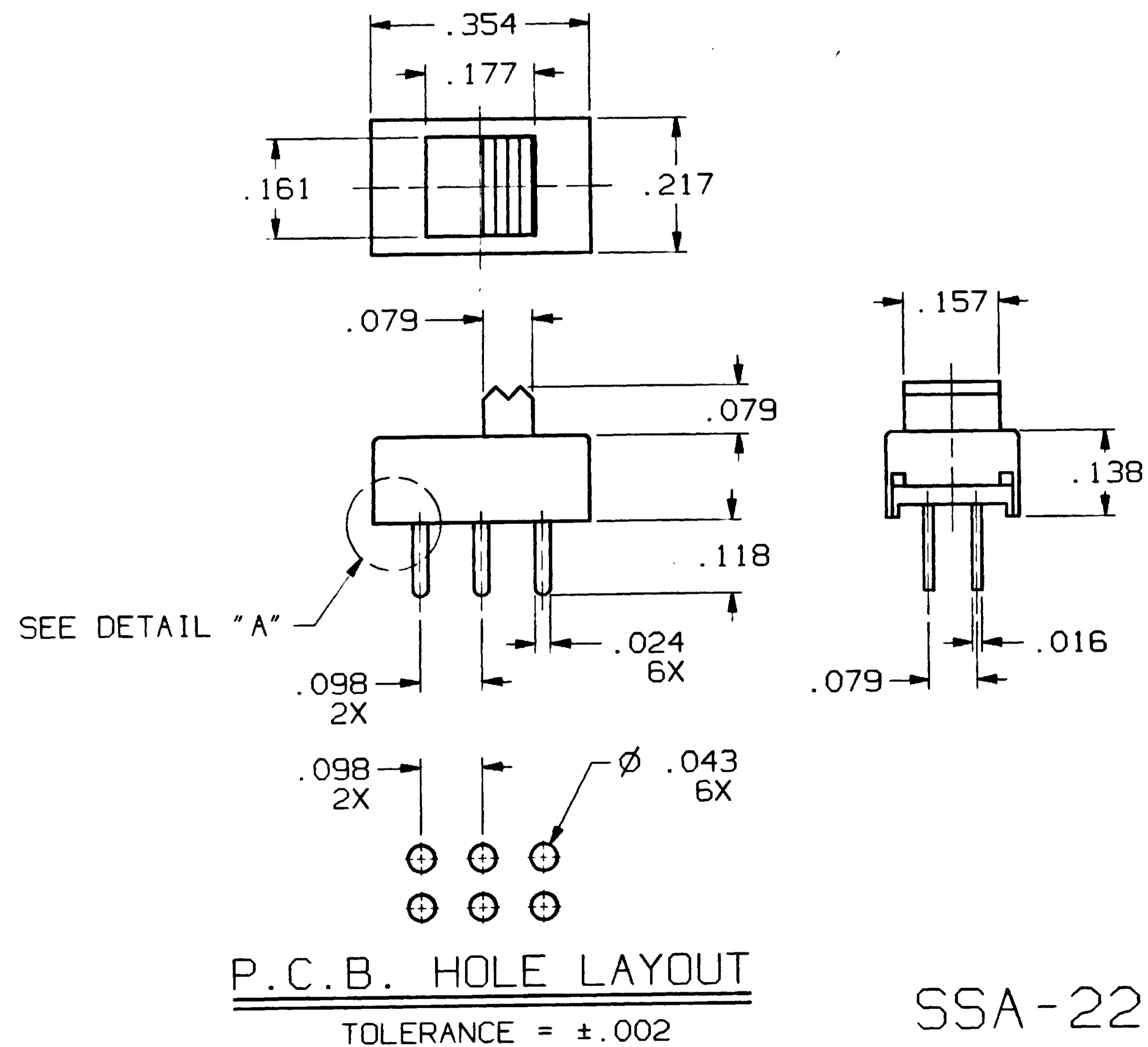
**ELECTRICAL:**  
CONTACT RATING: SILVER = 100mA @ 30 VDC.  
GOLD: = 0.4 VA MAX. @ 20 VDC OR PEAK AC.  
INITIAL CONTACT RESISTANCE: 30 MILLIOHMS MAX..  
INSULATION RESISTANCE: 100 MEGOHMS MIN.  
DIELECTRIC STRENGTH: 500 VOLTS RMS @ SEA LEVEL.  
LIFE EXPECTANCY: 10,000 CYCLES.

**MECHANICAL:**  
ACTUATION FORCE: 250g, ±100g.

**ENVIRONMENTAL:**  
OPERATING TEMPERATURE: -4°F TO +158°F (-20°C TO +70°C).  
STORAGE TEMPERATURE: -40°F TO +194°F (-40°C TO +90°C).

**NOTES:**

1. INTERPRET DRAWING PER ASME Y14.5M-1994.



MODEL **SSA - XX X**

MATERIAL OPTION FOR MOVABLE CONTACT, STATIONARY CONTACT AND TERMINALS.

BLANK = SILVER OVER NICKEL OVER COPPER ALLOY.  
G = GOLD OVER NICKEL OVER COPPER ALLOY

12 = SPDT  
22 = DPDT

THIS IS A C.A.D. GENERATED DRAWING. DO NOT MAKE MANUAL REVISIONS TO MASTER.

**OUTLINE DRAWING**  
SPECIFICATIONS ARE SUBJECT TO CHANGES WITHOUT NOTICE

REV	REVISIONS
2	ESR#659 BS 5-29-84
3	ESR#1376 BB 4-23-85
4	ECM#3899 TT 12-20
5	ECM#556-92 TJ 4-28-92
6	REVISED & REDRAWN ECM# 392-95 S. KIRCORIAN 6-6-95 APP'D: 6/13/95

<p>THIRD ANGLE PROJECTION</p>	<p>UNLESS OTHERWISE SPECIFIED DIMENSIONS ARE IN INCHES DO NOT SCALE PRINT</p> <p>FILE NAME: 80433OUT    DIRECTORY: SLD5WCH</p> <p>MATERIAL: SEE SPECIFICATIONS</p> <p>FINISH: SEE SPECIFICATIONS</p>	<p>ORIGINAL DATE OF DRAWING: 11-24-82</p> <p>DRAWN: BEV EICHKORN    DATE: 11-24-82</p> <p>CHECKED: B. BUCKHEIT    DATE: 12-7-82</p> <p>APPROVED: A. S. GREEN    DATE: 12-10-82</p> <p>CODE IDENT. NO. 91506    DWG. SIZE C</p> <p>NEXT ASSY:</p>	<p><b>AUGAT</b> 452 JOHN DIETSCH BLVD. ATTLEBORO FALLS, MASS. 02763 INC.</p> <p>TITLE: <b>OUTLINE DRAWING</b></p> <p>SLIDE - LOW PROFILE (SSA-12, SSA-22 SERIES)</p> <p>DWG. NO. 80433    REV. 6</p> <p>PRODUCT CODE:    SCALE: SHEET 1 OF 1</p>
-------------------------------	--	--	--

TOLERANCES (EXCEPT AS NOTED)  
ANGULAR = ±1°  
DECIMAL .XX = ±  
DECIMAL .XXX = ±.010  
DECIMAL .XXXX = ±

AUGAT CONFIDENTIAL  
This document contains information which is the exclusive property of Augat Inc.  
Distribution, reproduction or use by others is not permitted without the expressed written consent of Augat Inc.