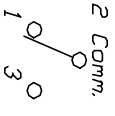


RECOMMENDED P.C.B. LAYOUT

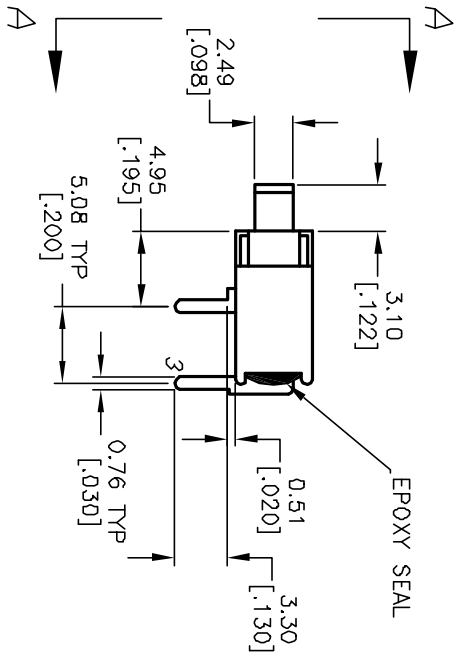


CONTACT CONFIGURATION

SPDT

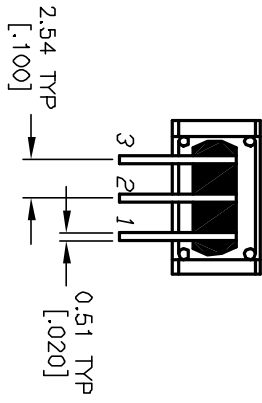
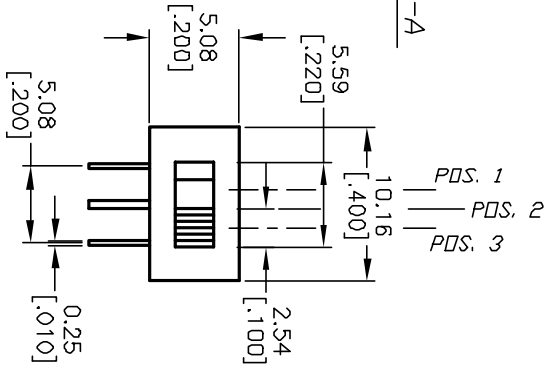
NOTES:

1. ALL DIMENSIONS IN MM [INCH]
2. GENERAL TOLERANCE: X.XX=±0.4  
X.XXX=±0.25
3. TERM. NOS. FOR REF. ONLY
4. RATING: 3 AMPS RESISTIVE LOAD @ 120 VAC OR 28VDC  
1 AMPS RESISTIVE LOAD @ 250VAC
5. FIXED AND MOVING CONTACTS:  
COPPER ALLOY W/ SILVER PLATING
6. ELECTRICAL LIFE: 30,000 ACTUATIONS AT FULL LOAD
7. INSULATION RESISTANCE: 1,000MΩ MIN.
8. DIELECTRIC STRENGTH: 1,000V RMS @sea level.
9. OPERATING TEMP.: -30°C to 85°C.
10. ▲ DENOTES CRITICAL PARAMETER.



VIEW A-A

SWITCH FUNCTION			
PDS. 1	PDS. 2	PDS. 3	
DN	DN	DN	
DN	DN	DN	
2-1	DPEN	2-3	



REV.	ECN No.	RELEASED FOR PRODUCTION	DATE	CHKD
A	13165		5/28/03	AR
		DESCRIPTION		

TITLE				
500ASSP3M6QE				
E-SWITCH®				
SCALE	DATE	DR	DWG	REV
2:1	5/28/03	AR	T551305	A

THE INFORMATION CONTAINED IN THIS DOCUMENT IS PROPRIETARY TO E-SWITCH AND IS NOT TO BE COPIED OR TRANSFERRED