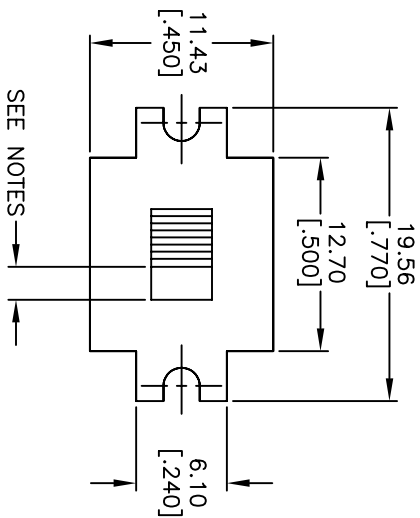


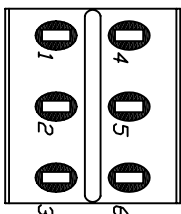
CONTACT CONFIGURATION

DPDT

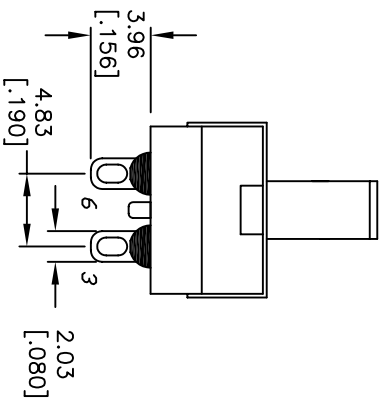
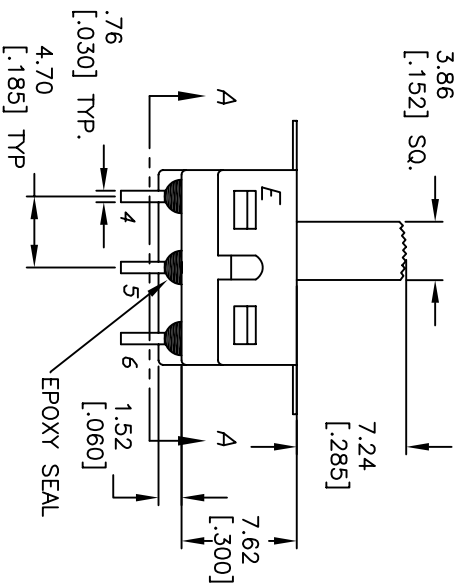
SWITCH FUNCTION		
PDS. 1	PDS. 2	PDS. 3
DN	NONE	DN
2-1,5-4	OPEN	2-3,5-6



NOTES:
BRACKET CROPPED
FOR CLARITY.



VIEW A-A



NOTES:

1. ALL DIMENSIONS IN MM [INCH]
2. GENERAL TOLERANCE: X.XX=±0.4
X.XX=±0.25
3. TERM. NOS. FOR REFERENCE ONLY.
4. RATING: 5A@120V AC OR 28V DC, 2A@250V AC
5. FIXED AND MOVING: COPPER ALLOY W/ SILVER PLATE
6. CONTACT RESISTANCE: 10mΩ TYP
7. INSULATION RESISTANCE: 1,000 MΩ min.
8. ELECTRICAL LIFE: 30,000 ACTUATIONS @ FULL LOAD
9. OPERATING TEMP: -30°C TO 85°C
10. TRAVEL: 2.16 MM
11. DIELECTRIC STRENGTH: 1,000 V RMS @ SEA LEVEL
12. 2002/95/EC (ROHS) COMPLIANT

REV.	ECN No.	DESCRIPTION	DATE	CHKD
B	17311	FIXED NOTE 4, ADDED NOTE 12	5/21/07	TN
A	13750	RELEASED FOR PRODUCTION	2/4/04	AR

TITLE		SCALE	DATE	DR	DWG	REV
500SDP1S2M1QEB		2:1	5/21/07	TN	T521021	B



THE INFORMATION CONTAINED IN THIS DOCUMENT IS PROPRIETARY TO E-SWITCH AND IS NOT TO BE COPIED OR TRANSMITTED