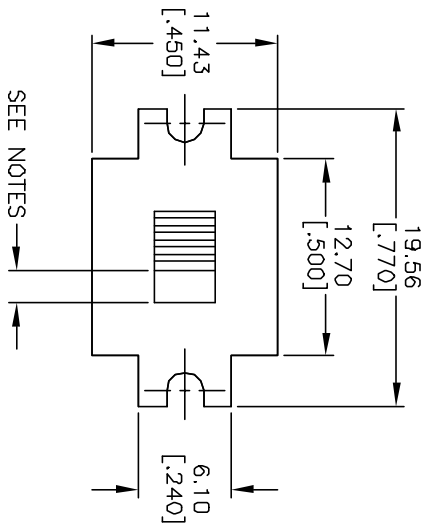


CONTACT CONFIGURATION

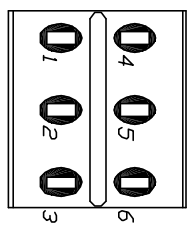
DPDT

| SWITCH FUNCTION | | |
|-----------------|--------|---------|
| POS. 1 | POS. 2 | POS. 3 |
| DN | NONE | DN |
| 2-1,5-4 | OPEN | 2-3,5-6 |

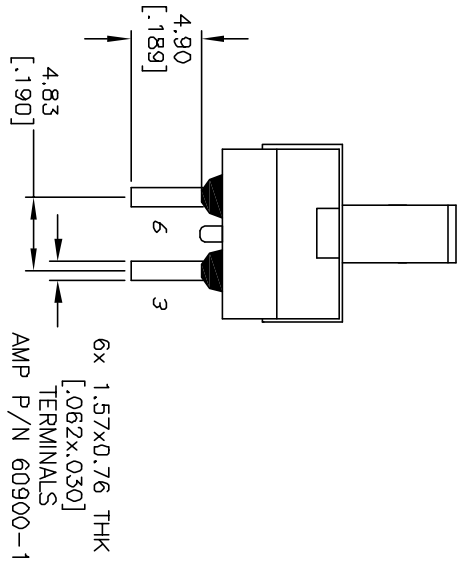
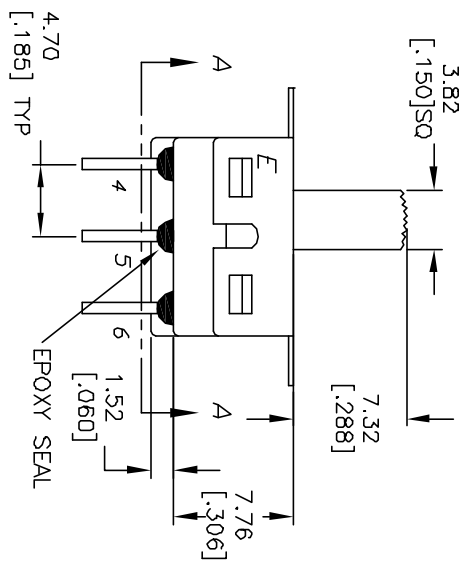


SEE NOTES →

NOTES:
BRACKET CROPPED
FOR CLARITY.



VIEW A-A



NOTES:

1. ALL DIMENSIONS IN MM [INCH]
2. GENERAL TOLERANCE: X.X=±0.4 X.XX=±0.25
3. TERM. NOS. FOR REFERENCE ONLY.
4. RATING: 0.4VA@20V (AC OR DC)
5. FIXED AND MOVING: COPPER ALLOY W/ SILVER PLATE
6. CONTACT RESISTANCE: 10mΩ TYP
7. INSULATION RESISTANCE: 1,000 MΩ min.
8. ELECTRICAL LIFE: 30,000 ACTUATIONS @ FULL LOAD
9. OPERATING TEMP: -30°C TO 85°C
10. TRAVEL: 2.16 MM
11. DIELECTRIC STRENGTH: 1,000 V RMS @ SEA LEVEL

| REV. | ECN No. | DESCRIPTION | DATE | CHKD |
|------|---------|-------------------------|----------|------|
| A | 11817 | RELEASED FOR PRODUCTION | 11/07/01 | CJC |

| TITLE | SCALE | DATE | DR | DWG | REV |
|-----------------------|-------|----------|-----|---------|-----|
| 500 SDP-1 S2 M3 Q E B | 2:1 | 11/07/01 | CJC | TS21014 | A |



THE INFORMATION CONTAINED IN THIS DOCUMENT IS PROPRIETARY TO E-SWITCH AND IS NOT TO BE COPIED OR TRANSFERRED